

LIGHT

ELSPRO®



CONSULTING · PLANNING · PRODUCTION · SERVICE



INNOVATION · QUALITY · SERVICE

Our basics



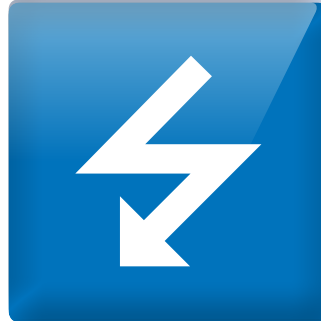
Your Partner in the Industry

Since 1986 ELSPRO Elektrotechnik GmbH & Co. KG has been synonymous with high quality and outstanding service in the electricity and lighting sectors. We supply industrial and service clients with an extensive range of innovative electrotechnical safety products.



Tailor-made Solutions

Our specialists implement all customer requirements, if technically feasible. Flexibility and maturity in production processes, which are demand-synchronized, allow us to deliver even tailor-made solutions quickly.



Technology without Compromise

We implement the product requirements of our customers in compliance with the latest technical regulations. Our benchmark is state-of-the-art technology.



Made in Germany

At our headquarter in Hilden, we use the advantages of the neighbouring state capital Düsseldorf in terms of service and logistics. From here we can reach the entire European market quickly and cost-efficiently.



Contact

Mr. Chris Ribjtzki

+49 (0) 21 03 / 97 10-41
 +49 (0) 1 72 / 56 99 636
chris.ribjtzki@elspro.de
[linkedin.com/in/chris-ribjtzki](https://www.linkedin.com/in/chris-ribjtzki)

Your contact for processing offers and orders in the Hilden headquarter:

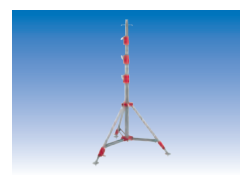
Customer Care Office

+49 2103 9710-45
sales@elspro.de

Partner to these industries

- ▶ Energy generation
- ▶ Public utilities · Power plants
- ▶ Traffic organisations
- ▶ Emergency and rescue services
- ▶ Construction companies · Assembly
- ▶ Metal working
- ▶ Paper manufacturing and wood processing
- ▶ Chemical industry
- ▶ Food industry
- ▶ Automotive industry
- ▶ Water treatment
- ▶ Shipyards · Plant engineering

13 Industrial Tripods



14 Workplace Lamps



15 Machine and Protection Tube Lamps



16 Spotlights / Floodlights



17 High-Bay/Wall/Ceiling Lights / Chain Lamps



18 LED Lighting for Streets / Paths / Squares



19 Building and Construction Lamps



20 Large Area Lamps / Special Lamps



21 Handheld Lamps



22 Rechargeable and Battery Powered Lamps



23 ATEX-Approved Lights



24 ATEX-Approved Mobile/Stationary Lights



Industrial Tripods and Special Mounting Supports



ELSPRO Industrial Tripods and Special Mounting Supports

Symbol

Explanation

Symbol

Explanation



height when folded



diameter of the maximum standing area



maximum height when erected



maximum load capacity of the tripod



minimum height when erected



weight of the tripod alone

CLT Locking Mechanism

Shock Absorber



uniform all-around clamping of the tripod post



pneumatic design for air-cushioned lowering




ELSPRO INDUSTRIESTATIV Typ THW

FEATURES AND QUALITIES:

- stainless steel construction
- pole diameters of 50/45/40/35 mm, thickness 1.5 mm
- 3 blocking systems of aluminum with all-around clamping, captive grips and with integrated QUAD rings to prevent water penetrating the blocking systems
- support tube of square profile tubing with a special folding mechanism
- stabilizing leg adjustable with push slider, captive grip
- shock absorber: pneumatic design for air-cushioned lowering
- connection end with \varnothing 30 mm DIN pins as per DIN 14640
- supporting legs with \varnothing 80 mm base plates and pins
- fastening set, anchoring set and double cross-bars optional



AUSFÜHRUNGEN:

Type	Frame*							Order No.
THW	SS	145 cm	480 cm	145 cm	160 cm	20,0 kg	18,0 kg	TW7840SA

*Material: **SS** = Stainless steel



When folded the tripod has a length of 145 cm and is held together by the lashing strap delivered with the tripod.



The triangular fastening plate for attaching the carabiner hooks of the guy ropes is attached directly under the DIN pin.



For secure positioning, possible unevenness can be leveled out with the help of the leveling elements.

– other models on request / subject to modification and errors –



THW – article number: 6230T22397

COMPONENTS AND ACCESSORIES

Order No.

ELSPRO – FASTENING SET

TW-AS750X3

consisting of each 3 x:

- 7.5 m polyamide – fastening rope Ø 4 mm as per DIN EN ISO 1140, color: white
- 1 carabiner as per DIN 5299–C80
- 1 ring, high-gloss galvanized, A 40 x 5, as per DIN 5296
- 1 rope thimble as per DIN 6899
- 2 wire rope clamps, oval
- 1 adjustment element, galvanized, for adjusting the rope length



THW – article number: 6230T22398

ELSPRO - Ground Anchoring Set

TW-EA400

3 x ground anchors:

- 400 mm long, hot-dip galvanized



Cross bar including basic mounting support and DIN pins

ELSPRO - Double Cross Bars

Double cross bars consisting of:

- basic mounting bracket/support including star grip for attaching to the tripod
- 2 x stainless steel DIN pins ø 30 mm
- 1 x stainless steel C-profile rail

- Length 450 mm
- Length 600 mm

TV045

TV060



ELSPRO TRIPOD FIRE DEPARTMENT Type IFW 2.0

FEATURES AND QUALITIES:

- is according to DIN 14682 („Tall tripod - Collapsible with fixed pivot pin“) and thus maintains the room dimensions of max. 20 cm when stored
- stainless steel construction aisi 304 - no corrosion
- downpipes Ø 50/45/40/35 mm, thickness 1.5 mm for stability and longevity
- 3 blocking systems of aluminum with clamping
- supporting legs can be individually extended up to a maximum of 0.58 m - clamping of supporting legs with blocking system of red aluminium - safe standing by compensating for unevenness on the standing surface
- shock absorber: pneumatic design for air-cushioned lowering - controlled lowering of the tripod load
- equipped with hand protection gap on telescopic parts
- connection end with ø 30 mm DIN pins as per DIN 14640
- supporting legs with ø 80 mm base plates and pins
- fastening set, anchoring set and double cross-bars optional



MODELS:

Type	Frame*							Order-No.
IFW 2.0	SS	114 cm	415 cm	114 cm	160 cm	20.0 kg	15.4 kg	TV7845SA

*Material: **SS** = Stainless steel



When folded the tripod has a length of 114 cm and is held together by the lashing strap delivered with the tripod.



The triangular fastening plate for attaching the carabiner hooks of the guy ropes is attached directly under the DIN pin.



For secure positioning all 3 supporting legs can be leveled individually on the standing surface and any unevenness can be compensated.

– other models on request / subject to modification and errors –

COMPONENTS AND ACCESSORIES

Order-No.

Fastening Set

AS750X3

consisting of each 3 x:

- 7.5 m polyamide – fastening rope Ø 4 mm as per DIN EN ISO 1140, color: white
- 1 carabiner as per DIN 5299–C80
- 1 ring, high-gloss galvanized, A 40 x 5, as per DIN 5296
- 1 rope thimble as per DIN 6899
- 2 wire rope clamps, oval
- 1 adjustment element, galvanized, for adjusting the rope length

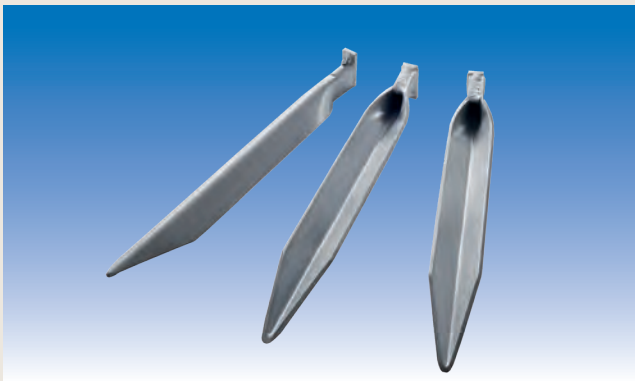


Ground Anchoring Set

EA400

3 x ground anchors:

- 400 mm long, hot-dip galvanized



Double Cross Bars

bestehend aus:

- basic mounting bracket/support including star grip for attaching to the tripod
- 2 x stainless steel DIN pins ø 30 mm
- 1 x stainless steel C-profile rail
 - Length 450 mm **TV045**
 - Length 600 mm **TV060**



Cross bar including basic mounting support and DIN pins

– other models on request / subject to modification and errors –

ELSPRO Industrial Tripods BETA Series







more than a tripod

FEATURES AND QUALITIES:

- models in black-anodized aluminum or galvanized steel
- tube diameters: 45/38/32 mm
- CLT-locking device (uniform all-around clamping of the tripod tubes)
- standing tube of square profile tubing with folding mechanism
- shock absorber: pneumatic design for air-cushioned lowering
- equipped with hand protection gap on telescopic parts
- anchoring mechanism optional
- connecting end with \varnothing 30 mm DIN pins
- including aluminum foot set with groove profile in black



MODELS:

Type	Frame*							Order No.
BETA 1	AL	176 cm	412 cm	150 cm	176 cm	22/30 kg	8.6 kg	TV7501SA
BETA 1	CS	176 cm	412 cm	150 cm	176 cm	27/35 kg	16.8 kg	TV7502SA
BETA 2	AL	140 cm	332 cm	123 cm	128 cm	24/32 kg	7.3 kg	TV7511SA
BETA 2	CS	140 cm	332 cm	123 cm	128 cm	29/37 kg	13.3 kg	TV7512SA
BETA 3	AL	114 cm	252 cm	96 cm	114 cm	26/34 kg	6.5 kg	TV7521SA
BETA 3	CS	114 cm	252 cm	96 cm	114 cm	31/39 kg	10.8 kg	TV7522SA

* Material: **AL** = aluminum, black anodized; **CS** = steel, black galvanized; **CSW** = steel, white chrome-plated (on request)

** The maximum permissible load capacity decreases depending on the height used: max. load capacity at max./min. extended tripod.

Components and Accessories:

Order No.

Wheel set (\varnothing 100 mm) with double brake and adapter in black aluminum

for ELSPRO industrial tripod BETA 1 + 2
for ELSPRO industrial tripod BETA 3

TV7505
TV7506



It is possible to attach up to 4 panel lights to the BETA industrial tripod without impairing the standing stability.

The shock absorber provides additional protection since it slows down the lowering of the tripod.



Fastening Set consisting of:

- triangular fastening plate V2A
- 3x fastening rope
- 3x ground anchors

Order-No.

ABSPANNSET.UNI

— other models on request / subject to modification and errors —

ELSPRO Industrial Tripods DELTA Series









robust in use and modern in design

FEATURES AND QUALITIES:

- models in black anodized aluminum or galvanized steel
- tube diameters: 35/30/25 mm
- CLT locking system (uniform all-around clamping of the tripod tubes)
- supporting legs with folding mechanism and fiberglass sealing plugs
- protected brass leveling leg (DELTA 1)
- shock absorber: pneumatic design for air-cushioned lowering
- equipped with hand protection gap on telescopic parts
- anchoring mechanism optional
- connecting end with \varnothing 30 mm DIN pins

MODELS:

Type	Frame*							Order No.
DELTA 1	CS	135 cm	380 cm	137 cm	130 cm	12/25 kg	7.3 kg	TV7702SA
DELTA 5	AL	102 cm	285 cm	104 cm	109 cm	13/17 kg	3.3 kg	TV7741SA
DELTA 7	AL	83 cm	222 cm	85 cm	99 cm	15/20 kg	2.8 kg	TV7761SA
DELTA 7	CS	83 cm	222 cm	85 cm	99 cm	22/30 kg	4.5 kg	TV7762SA

* Material: **AL** = aluminum, black anodized; **CS** = steel, black galvanized; **CSW** = steel, white chrome-plated (on request)

** The maximum permissible load capacity decreases depending on the height used: max. load capacity at max./min. extended tripod.

Components and Accessories:

Wheel set (\varnothing 80 mm) with double brake and black aluminum adapter

for ELSPRO industrial tripod DELTA 1
for ELSPRO industrial tripod DELTA 5
for ELSPRO industrial tripod DELTA 7

Order No.

TV7705
TV7706
TV7707



Example for use:
industrial tripod DELTA with tilt joint
and panel light type QV72



Fastening Set consisting of:

- triangular fastening plate V2A
- 3x fastening rope
- 3x ground anchors

Order-No.

ABSPANNSET.UNI

— other models on request / subject to modification and errors —

ELSPRO Industrial Tripod Type GIRAFFE

swivelling wall tripod with long neck

Boom systems are helpful in lighting hard-to-access areas professionally. They are used above all in places where there would be no space or stable support for tripod legs.

The boom systems are available in two models:

- with stable wall mounting (type W)
- with flexible clamp mounting (type C) for securely attachment to tubes and bars, for example:
 - minimum diameter: 12 mm
 - maximum diameter: 45 mm

FEATURES AND QUALITIES:

- stable models in black anodized aluminum
- swivel and tilt angle: 180°
- lockable swivel and tilt angle
- delivery including DIN pins \varnothing 30 mm



MODELS:

Type	Frame*	Mounting	Minimum length and load capacity	Maximum length and load capacity	Order No.
GIRAFFE W01	AL	wall mounting	1.20 m / 8.0 kg	2.10 m / 4.0 kg	TV7390W
GIRAFFE W02	AL	wall mounting	0.70 m / 10.0 kg	1.25 m / 5.0 kg	TV7391W
GIRAFFE C01	AL	clamp mounting	1.20 m / 8.0 kg	2.10 m / 4.0 kg	TV7390C
GIRAFFE C02	AL	clamp mounting	0.70 m / 10.0 kg	1.25 m / 5.0 kg	TV7391C

*Material: AL = aluminum, black anodized



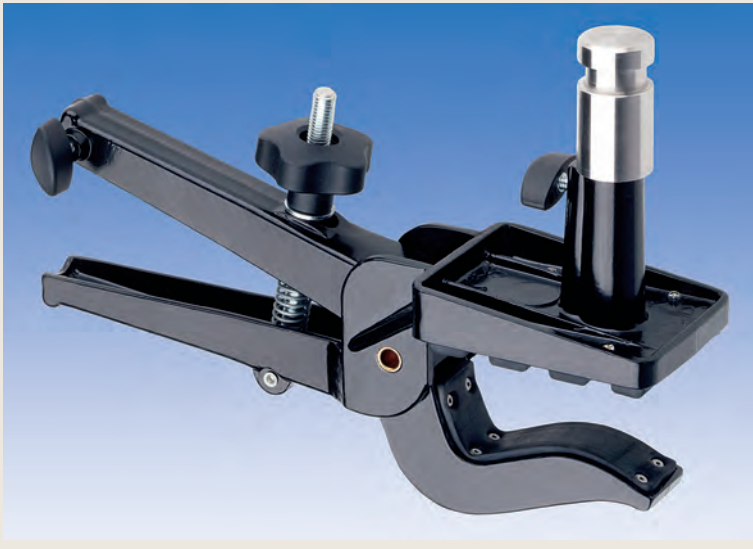
GIRAFFE Type W



GIRAFFE Type C

— other models on request / subject to modification and errors —

ELSPRO Special Mounting Support Type SUPERGREIF



FEATURES AND QUALITIES:

- robust gripping clamp in black lacquered steel
- secure attachment of the SUPERGREIF with locking screw and upper rubberized inner surface
- flexible mounting options as a result of double sockets for DIN pins
- length: 30 cm
- weight: 1.0 kg
- load capacity: 15.0 kg
- delivery including \varnothing 30 mm DIN pins

Order No. **TV7361**



Example for use:

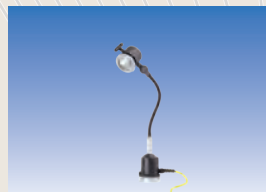
ELSPRO special mounting support SUPERGREIF with tilt joint and panel light QV72

Mounting information for attaching the tilt joint:



— other models on request / subject to modification and errors —

LED Workplace and Machine Lamps



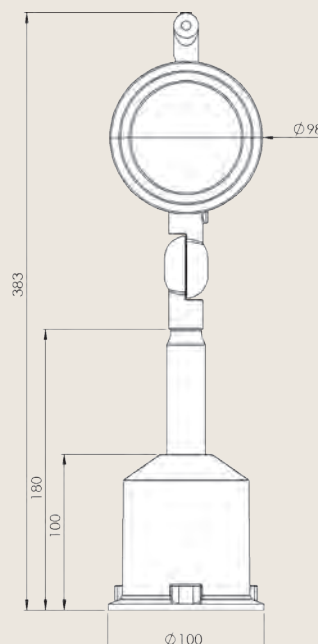
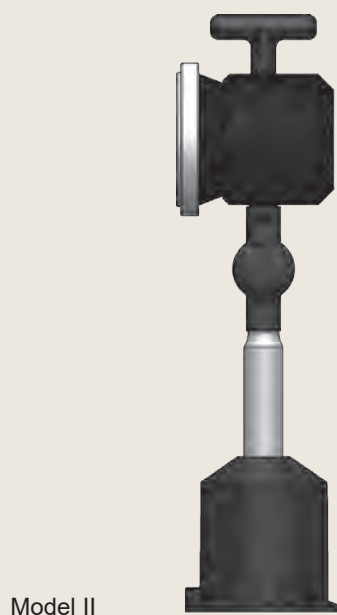
ALED Z1



ELSPRO®

SPECIAL FEATURES:

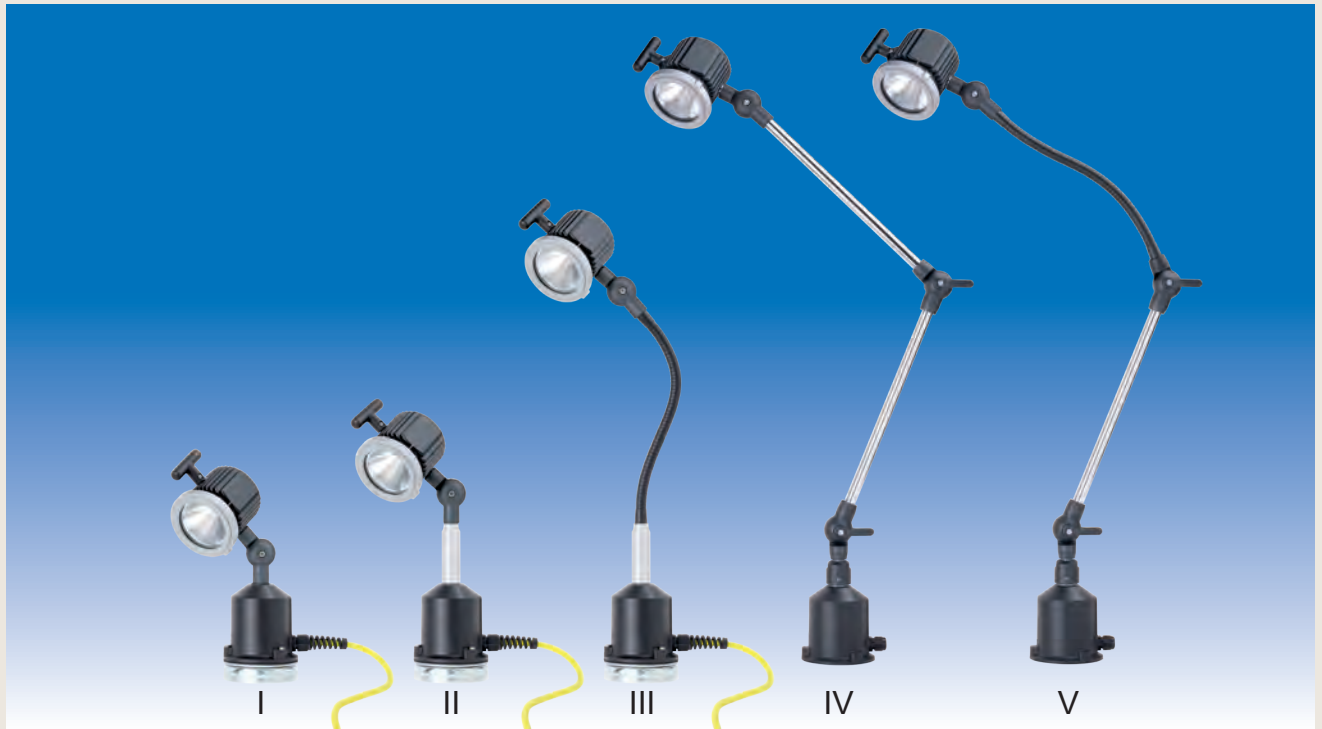
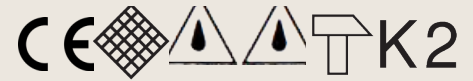
- Dimmable output levels → 0 lm up to 2,900 lm total luminous flux
- Standard colour temperature 5,000 Kelvin, optional 2,700 Kelvin → Daylight white or warm white
- Reflectors with different beam angles: 12° / 28° / 66° → Light beam focused according to requirements, the reflector can be changed without tools if required
- Clear or satinised front glass made of hardened glass → Focused or diffused light, can be changed also without tools
- Portable versions with spiral kink protection and special cable INDUSTRIEFLEX® 07HT → Robust cable routing with premium cable, for high mechanical loads
- Protection class IP 65 → Dustproof and water-jet-proof
- Protection class 2 (230 V) or protection class 3 (low voltage) → Personnel protection at the highest level
- Turn-tilt joint made of diecast aluminium on the lamp head → High-precision direction of the light, right where it is needed
- Handle on lamp head for directing the light → Simple handling
- Replaceable high-power LED Nichia COB → Future-proof replacement possible
- Large cooling ribs → Optimum heat dissipation
- Various models I / II / III / IV / V → The right version for every application
- Portable and stationary variants → Robust, impact-resistant design
- Connection housing made of glassfibre-reinforced polyamide PA6 → Extra strong attachment force
- Portable versions fitted with permanent magnets → Handy with good haptics
- On-off pushbutton including dimming function on lamp head → High colour rendering index
- $R_a = 83$ → High flexibility in light intensity
- Dimming function



– Other versions on request / subject to changes, E&OE –

ALED Z1

LED Workplace Lamp - dimmable



STANDARD MODELS:

- Output max.: 18 Watt
- Colour temperature: 5,000 Kelvin
- Reflector: 28°
- Front glass: Clear glass

DIMMING FUNCTION:

Tap on-off pushbutton	Switch On/Off
Keep pushbutton pressed (when switched on)	Dimming 20 %, every 2 seconds dimming another 20 %, until switched off

Alternative properties can be found on the next page →

Construction	Model	Supply cable with plug	Cable gland	Metal hose, length, mm	Tube 1, mm	Tube 2, mm	Order No. 24 V AC*	Order No. 42 V AC*	Order No. 230 V AC*
Portable with magnet	I	3 m	-	-	-	-	7ZD1802031	7ZD1803031	7ZD1804031
	II	3 m	-	-	-	-	7ZD1806031	7ZD1807031	7ZD1808031
Stationary for screwing on	I	-	M16	-	-	-	7ZD1802000	7ZD1803000	7ZD1804000
	II	-	M16	-	-	-	7ZD1806000	7ZD1807000	7ZD1808000
Portable with magnet	III	3 m	-	300	-	-	7ZD1814031	7ZD1815031	7ZD1816031
		3 m	-	400	-	-	7ZD1818031	7ZD1819031	7ZD1820031
Stationary for screwing on	III	-	M16	300	-	-	7ZD1814000	7ZD1815000	7ZD1816000
		-	M16	400	-	-	7ZD1818000	7ZD1819000	7ZD1820000
Connection housing with swivel joint and 2 tilting joints between housing and pipe as well as between both pipes	IV	-	M16	-	300	300	7ZD1850330	7ZD1851330	7ZD1852330
		-	M16	-	400	400	7ZD1850440	7ZD1851440	7ZD1852440
Connection housing with swivel joint and 2 tilting joints between housing and pipe as well as pipe and metal hose	V	-	M16	300	300	-	7ZD1854330	7ZD1855330	7ZD1856330
		-	M16	400	400	-	7ZD1854440	7ZD1855440	7ZD1856440

* 24 V DC and 42 V DC on request

- Other versions on request / subject to changes, E&OE -

ALED Z1

LED Workplace Lamps - dimmable

ALTERNATIVE VERSIONS

Ask for your alternative design:

MODEL:

I		II		III		IV	V
Portable with magnet	Stationary for screwing on	Portable with magnet	Stationary for screwing on	Portable with magnet	Stationary for screwing on	Connection housing with all joint and single-handed tilting joint	
						Between the two tubes	Between tube and metal hose
Supply cable with plug	Cable gland M16	Supply cable with plug	Cable gland M16	Supply cable with plug	Cable gland M16	Cable gland M16	Cable gland M16

POWER SUPPLY:

24 V AC	42 V AC	230 V AC
---------	---------	----------

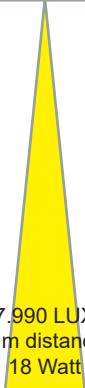
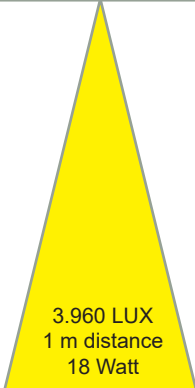
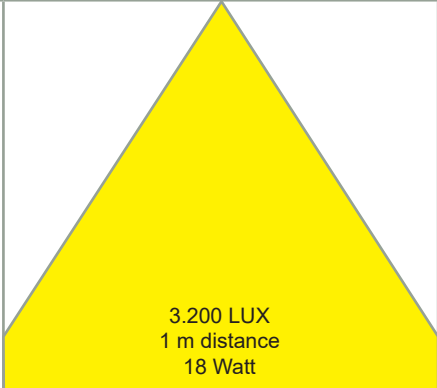
OUTPUT:

DIMMABLE UP TO MAX. 18 WATT

COLOUR TEMPERATURE:

2,700 KELVIN - WARM WHITE	5,000 KELVIN - DAYLIGHT WHITE
---------------------------	-------------------------------

REFLECTOR (BEAM ANGLE):

12°	28°	66°
 <p>7.990 LUX 1 m distance 18 Watt</p>	 <p>3.960 LUX 1 m distance 18 Watt</p>	 <p>3.200 LUX 1 m distance 18 Watt</p>

FRONT GLASS:

CLEAR	SATINISED
-------	-----------

– 24 V DC and 42 V DC and other versions on request / subject to changes, E&OE –

ALED Z1

LED Workplace Lamps - dimmable

DETAILS



Lamp head with cooling ribs for excellent heat management

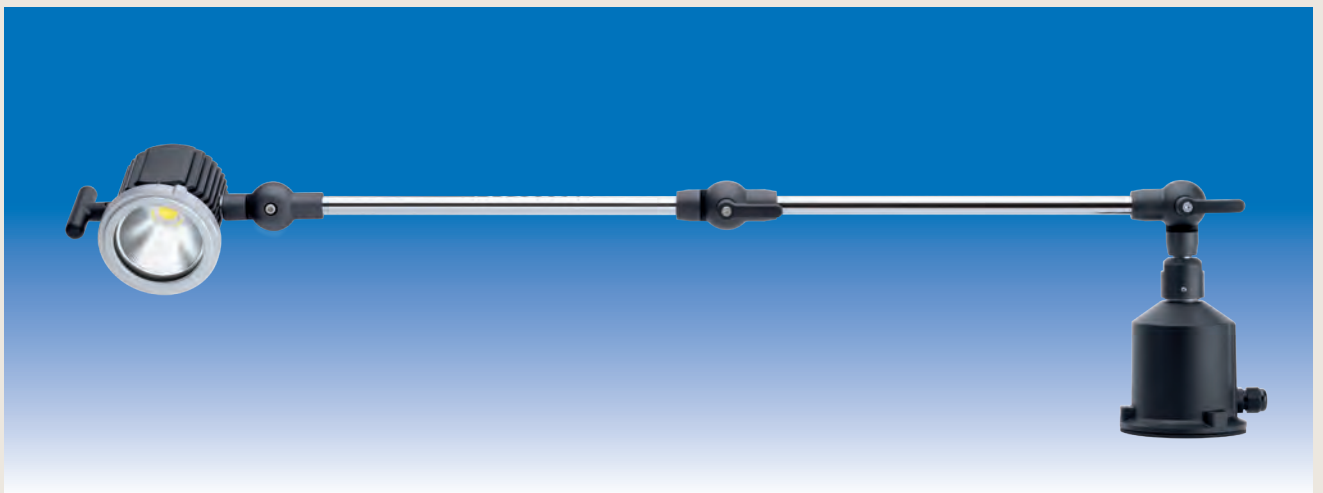
On-off pushbutton including dimming function on the back of the lamp head

Turn-tilt joint made of diecast aluminium



Handle on lamp head for directing the light

Portable versions with M16 cable gland with spiral kink protection and special cable INDUSTRIEFLEX® 07HT and permanent magnet with strong attachment force



Series IV and V: unique tilt-and-turn joints with adjustable clamping lever for easy loosening and locking:
Even more possible uses by tilting the light horizontally and beyond (up to 110°)

– Other versions on request / subject to changes, E&OE –

ALED Z1

LED Workplace Lamps - dimmable

SPARE PARTS

SPARE PARTS:

	Order No.:
Front glass made of clear glass including seal set	165-650
Front glass made of satinised glass including seal set	165-651
Front glass made of clear polycarbonate including seal set	165-660
Front glass made of matt polycarbonate including seal set	165-661
Reflector 12°	165-751
Reflector 28°	165-752
Reflector 66°	165-753
High-power LED Nichia COB 2,700K up to 18 Watt	165-703
High-power LED Nichia COB 5,000K up to 18 Watt	165-701
Handle	165-303
Seal set front glass	165-550
Seal set turn-tilt joint	165-560

EXPLODED DRAWING:



– Other versions on request / subject to changes, E&OE –



Model	ALED X1 Series	Cable with plug	Cable connection	Cable screw length, mm	Flexible metal tube	Pipe	flexible metal tube	Light source	Order No. 24V	Order No. 42V	Order No. 230V-
									AC/DC	AC	AC
mobile with magnet	III	3 m	-	-	300	-	-	LED 1 x 3 W	7828111	7829111	7830511
									7837111	7838111	7839511
stationary for screwing	IV	-	M 16	-	300	-	-	LED 1 x 3 W	7828010	7829010	7830010
									7837010	7838010	7839010
Connection housing with swivel joint and 2 tilting joints between housing and pipe as well as pipe and metal hose	IV	-	M 16	-	-	300 / 300	-	LED 1 x 3 W	7X846050	7X847050	7X848050
									7X846060	7X847060	7X848060

- other models on request / subject to modification and errors -



The ribbed structure ensures optimal heat dissipation. The maximum temperature of the housing is therefore 60°C.

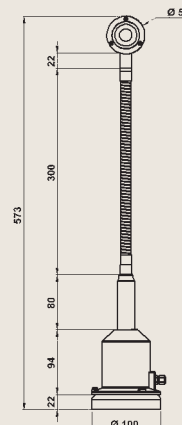
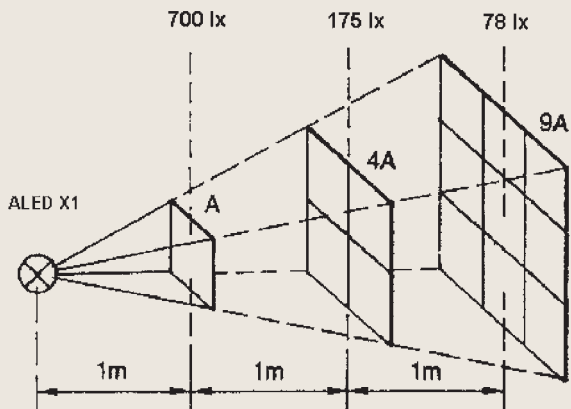
Variable models, e.g., particularly small and compact one, are possible. At 10 to 30 V AC/DC, an additional power supply unit is required since there is a LED driver with an integrated constant current source in the lamp base.

Swivel joint 350°

Connector housing made of polyamide: series III with switch on housing, series IV without switch



- light source unit consists of a special aluminum heat sink with an inserted 3 watt LED positioned behind an aspheric glass lens → the LED has a service life of 20,000 hours and projects a bright, homogeneous working light
- insulated connection housing of polyamide, 30% fiberglass-reinforced → optimal protection of the power supply unit in the case of mechanical stress
- the 230V power supply unit is protected on the secondary side against short circuiting as well as against overload and thermal overload → guarantees the required stable DC power supply to the lamp, NO STROBOSCOPE EFFECT
- max. power consumption of 5 watts → low energy input = low transformer output in the low voltage range (42 V) required
- the lamp base is made of die-cast aluminum → unbreakable, shock- and impact-resistant, long service life, COST SAVINGS
- the special ribbed structure ensures optimal heat dissipation → the lamp head does not get hot even if operated continuously, NO BURNS
- protection class up to max. IP 65 → SAFETY and function even if used in extremely wet areas and high exposure to dust
- lamp head diameter of only 55 mm, depth 47 mm → maximum light output with low space requirements



– other models on request / subject to modification and errors –

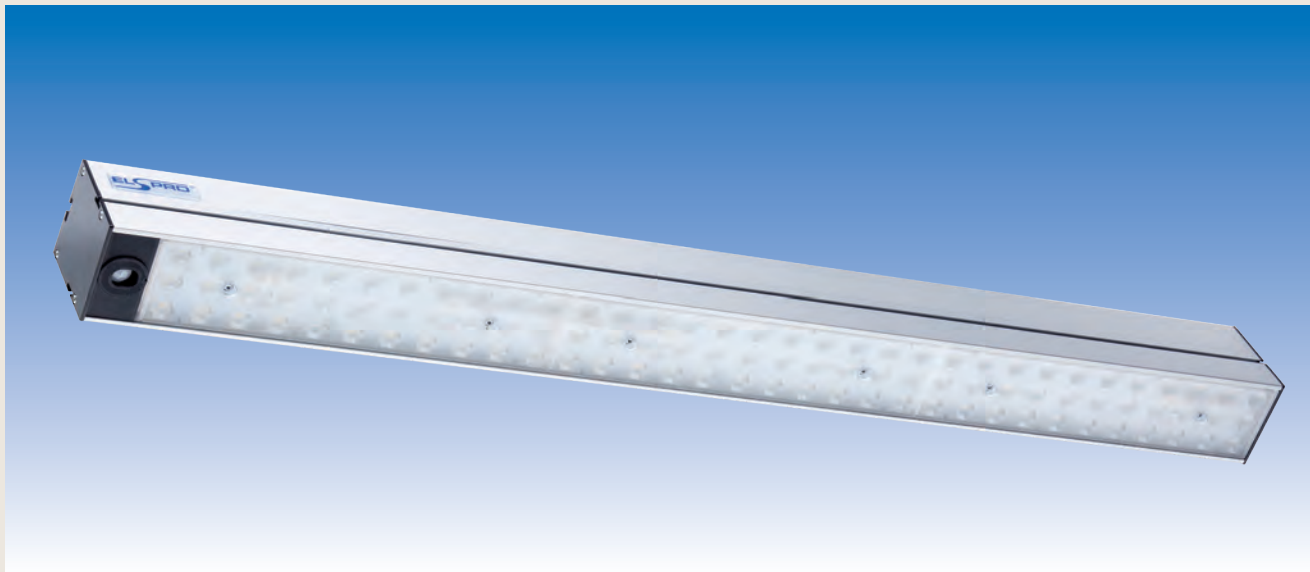
Optimal workplace lighting in accordance
with the requirements of DIN EN 12464-1

ENORM in:
Light Output • Optics • Precision • Efficiency

POWER RASTER



ELSPRO®



Our POWER product line works with high-quality 60° LED optics for uniform illumination with low system power and optimal glare suppression.

CONFIGURATIONS:

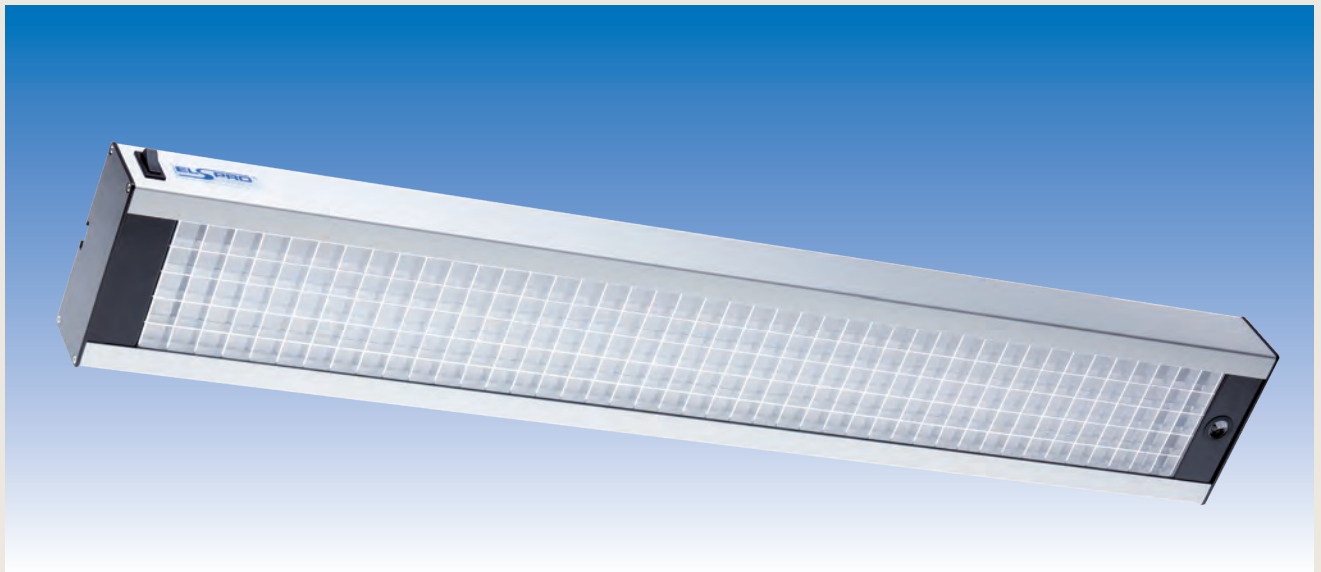
Voltage	Power	Luminous flux	Light source	Colour temperature	Dimensions (L x W x H)	Weight	Order no.
220 - 240 V AC 50 - 60 Hz	12.2 W	1,682 lm	LED panel with highly efficient SMD LEDs	5,000 K	614 x 70 x 80 mm	2.6 kg	WBLP600/S
	16.6 W	2,522 lm			900 x 70 x 80 mm	3.4 kg	WBLP900/S
	20.4 W	3,363 lm			1,186 x 70 x 80 mm	4.1 kg	WBLP1200/S

SPECIAL FEATURES:

- **LED optics 3-row, beam angle 60°, frosted**
 - Colour rendering index RA > 80, Glare value UGR < 19
 - LED service life L80B10 - 50,000 hours
 - Aluminium housing, anodised, colourless
 - 5.00 m special cable INDUSTRIEFLEX 07HT 3G 1.5 mm²
 - Solid rubber safety plug 3-pole / 16 A / 230 V
 - Motion sensor with 8-minute follow-up time
 - optional: Internal through wiring 3 x 1.5 mm²
 - optional: front unit ESD conductivity
- non-glare light with uniform illumination
 - suitable for computer workstations
 - outstanding, proven durability
 - protection category 1, protection rating IP 40
 - premium cable with three design features
 - ergonomic and handy plug shape
 - energy-efficient personal detection
 - option to connect an additional luminaire
 - protection against electrostatic charges



– additional versions, accessories and spare parts upon request / subject to change and error –



A high-gloss coated parabolic louvre for optimised illumination of workplaces with reduced glare supports the visual performance of the user. For permanent control work in accordance with the Workplace Ordinance.

CONFIGURATIONS:

Voltage	Power	Luminous flux	Light source	Colour temperature	Dimensions (L x W x H)	Weight	Order no.
220 - 240 V AC 50 - 60 Hz	22.2 W	2,077 lm	LED panel with highly efficient SMD LEDs	5,000 K	631 x 135 x 57 mm	2.5 kg	WBLR600/FS
	31.2 W	3,116 lm			999 x 135 x 57 mm	3.2 kg	WBLR900/FS
	40.5 W	4,154 lm			1,186 x 135 x 57 mm	4.1 kg	WBLR1200/FS

SPECIAL FEATURES:

- **Light directing system, three-part, incl. parabolic louvre**
 - Colour rendering index RA > 80, Glare value UGR < 19
 - LED service life L80B10 - 50,000 hours
 - Aluminium housing, anodised, colourless
 - 5.00 m special cable INDUSTRIEFLEX 07HT 3G 1.5 mm²
 - Solid rubber safety plug 3-pole / 16 A / 230 V
 - with internal through wiring 3 x 1.5 mm²
 - with adjustable motion detector
 - remote control: on/off, dimmer function, automatic mode
- non-glare light with uniform illumination
 - suitable for computer workstations
 - outstanding, proven durability
 - protection category 1, protection rating IP 40
 - premium cable with three design features
 - ergonomic and handy plug shape
 - option to connect an additional luminaire
 - adjustable detection range
 - adjustable sensitivity of the daylight sensor



Parabolic louvre LED



Motion sensor



Mounting accessories included



Remote control

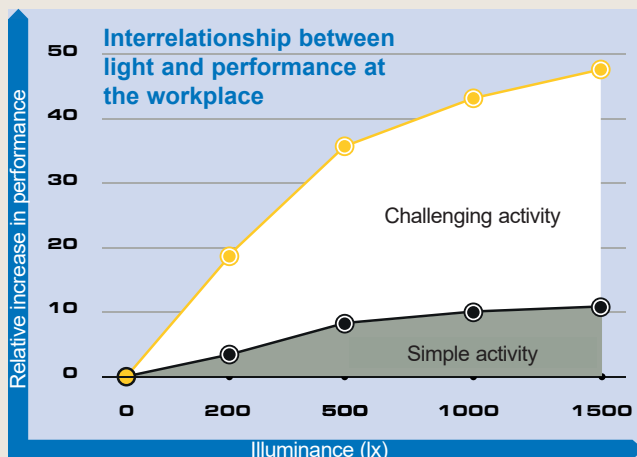
- Other configurations on request / subject to changes and errors -

GOOD LIGHTING – an investment that pays off

Know the feeling? You have had a good night's sleep and actually feel ready to start your day. Yet, when you look out the window at the dull, grey sky, your mood drops. Simultaneously, you feel tiredness creeping into your bones – and the urge to return to bed.

A perfectly normal reaction. This is because we need bright daylight to be active, productive and motivated. This is particularly true to the workplace, where concentration and attention are essential factors that determine efficiency and, as such, the quality of the results.

Therefore, and not only to meet the requirements of the standard, investing in optimal lighting at the workplace is worth your while – already from the very first second!



THE RIGHT LIGHTING and the factors that characterise it

Optimal lighting has an effect, both on a physical and psychological level. Not only does it brighten the room but it also improves the mood of the people working in it.

General and targeted lighting

Ceiling lights provide the basis for a balanced brightness. In addition, an extra source of light is required at the workplace to avoid fatigue and concentration lapses. This is where our LED workbench lights come into their own.

Illuminance and glare-free environment

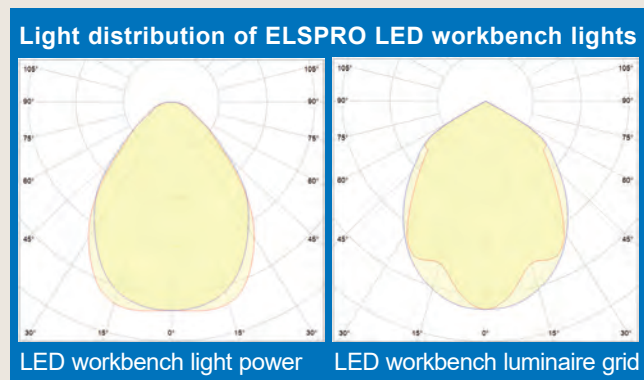
The lighting intensity as well as the avoidance of reflections and mirroring is crucial to ensure good vision and performance at the workplace, since contrasts and details are clearly visible, and concentrated work is possible over a longer period of time. The ELSPRO LED workbench luminaires exceeds the standards as specified in DIN EN 12464-1 for the lighting level at workplaces.

Light quality and light modulation

An optimised ratio of the factors light colour, light direction and individually-adjusted brightness distribution contribute to determining visual comfort, well-being, precision, and productivity at work. Light colours around 5,000 K, which come close to natural daylight, are ideal for work areas.

Energy efficiency

LED lights are currently the most efficient light sources. They consume up to 90% less energy than conventional light sources. Unlike conventional light sources, the LED lights that shine downwards emit all their light in one direction, meaning that none of it is lost in the housing. LED lighting saves so much energy that a conversion can pay for itself in less than two years.



AVAILABLE IN ADDITIONAL VERSIONS:

- Brightness dimmable
- Sense Remote
- Tunable White
- App Connect

Brightness dimmable

With our dimmable product variants, you can flexibly adjust the brightness of the LED lighting and make optimal use of daylight.

Sense Remote

Our Sense Remote products feature programmable motion sensors and daylight sensors, as well as shutters that limit motion detection. They are dimmable via an IR remote control.

Tunable White

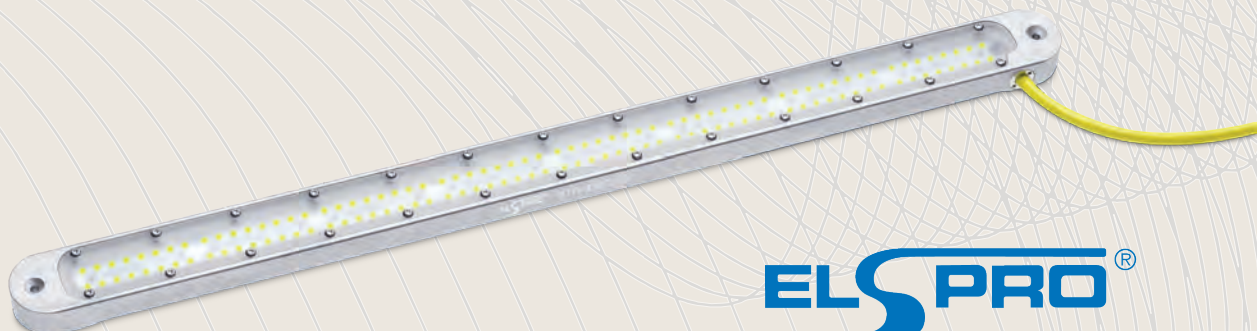
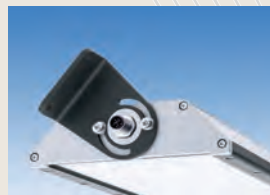
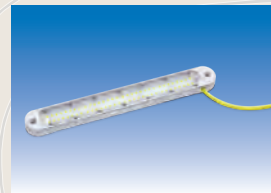
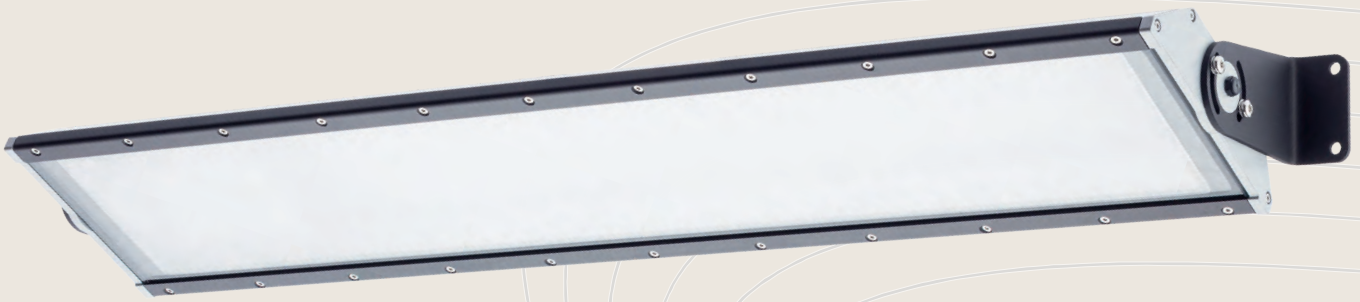
Our Tunable White option allows you to adjust the colour temperature of the LED lighting from 2,700 Kelvin (warm white) to 6,500 Kelvin (cool white).

App Connect

Our App Connect luminaires can be programmed and controlled via mobile device app using a smartphone or tablet. This way, you can regulate and control our lighting systems wirelessly.

LED Protection Tube Lamps

LED Machine Lamps



Protection Tube Lamps

SPECIAL FEATURES and ACCESSORIES:

Transparent **borosilicate glass** protection tube, 5 mm wall thickness, in 60 mm diameter

- particularly suitable when working with solvents, acids, and organic compounds
- no damage in the case of flying sparks and similar influences
- the particularly good translucence is long-lasting
- impurities on the surface can be removed easily
- protection tube is resistant to cold water and heat
- 70 mm tube diameter on request

Transparent **methacrylate** protection tube, 5 mm wall thickness, in 60 mm diameter

- good mechanical properties
- resistant to oils, fats, and acids
- 70 mm tube diameter on request

Transparent **polycarbonate** protection tube, 1.5 mm wall thickness, in 50 mm diameter

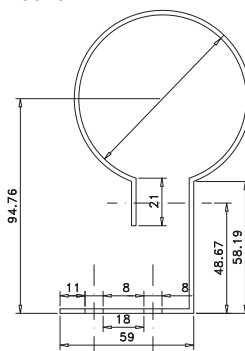
- polycarbonate is the right choice in the case of mechanical loads,
- the low outer diameter of only 50 mm is an advantage in the case of limited available space

Side fasteners of polyamide, glass-fiber-reinforced, with seals of oil resistant rubber NBR, 42SH

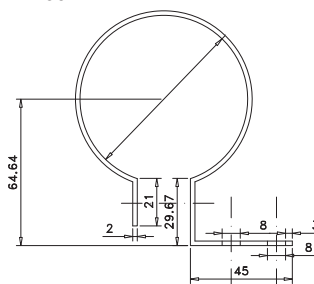
- the side parts seal the lamps dust and water-pressure-tight, IP67
- the fastening screws are made of stainless steel



SEF0023



SEF0022



ACCESSORIES:

Assembly clip for tube Ø 60 mm
with fastening angle 60 mm

Order No.

SEF0023

Assembly clip for tube Ø 60 mm
with fastening angle 45 mm

SEF0022

Assembly clip for tube Ø 60 mm

- clamping range 60 - 65 mm
- Material: polyamide
- Colour: light grey

SEF0024

Assembly clip for tube Ø 50 mm

- clamping range 50 - 55 mm
- Material: polyamide
- Colour: light grey

SEF0013

— other models and spare parts on request / subject to modification and errors —



MODELS Type G6 Smooth end cap (Mounting brackets: see accessories):

Light Source	Output	Lumen	Length in mm	Order No. 24 V AC/DC	Order No. 42 V AC/DC	Order No. 42 V AC	Order No. 230 V AC
25 Mid-Power LEDs	20 W	2,050	512	SLMG62420	SLMG64220	-	SLMG62320
50 Mid-Power LEDs	40 W	4,100	812	SLMG62440	-	SLMG64240	SLMG62340



MODELS Type W6 End caps with integrated mounting angle:

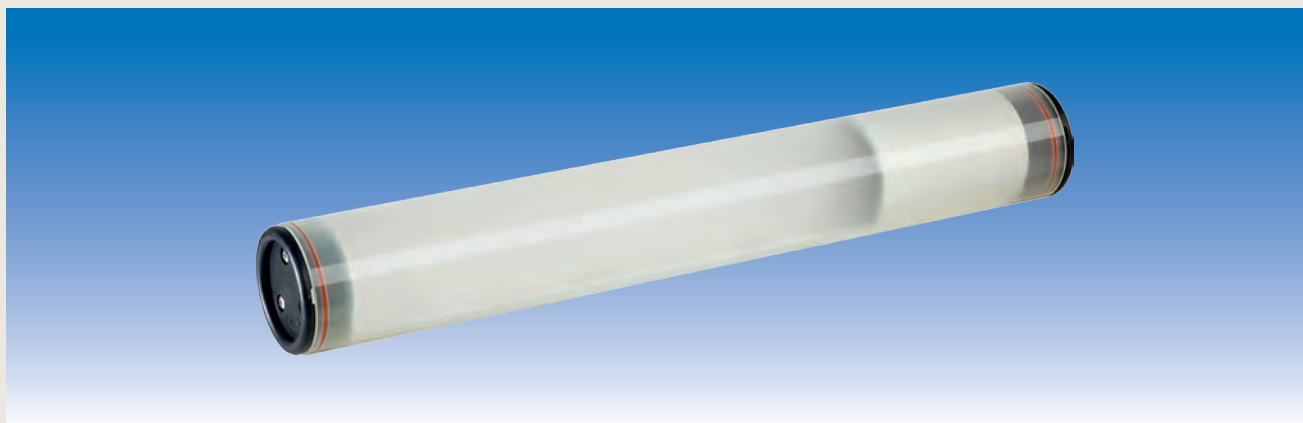
Light Source	Output	Lumen	Length in mm	Order No. 24 V AC/DC	Order No. 42 V AC/DC	Order No. 42 V AC	Order No. 230 V AC
25 Mid-Power LEDs	20 W	2,050	540	SLMW62420	SLMW64220	-	SLMW62320
50 Mid-Power LEDs	40 W	4,100	840	SLMW62440	-	SLMW64240	SLMW62340

FEATURES AND QUALITIES:

- high-quality hard-shell diffusion filter already mounted in the factory
- produces homogeneous light
- simple snap-on mounting on support rail
- filter mounting/dismounting without tools
- conversion of the light to direct lighting by removing the filter

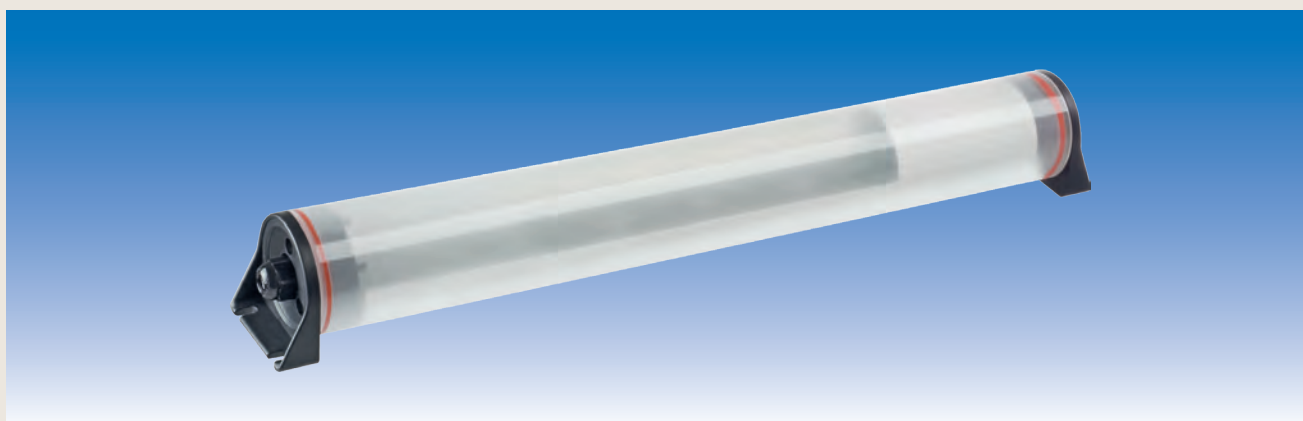


– other models on request / subject to modifications and errors –



MODELS Type G6 Smooth end cap (Mounting brackets: see accessories):

Light Source	Output	Lumen	Length in mm	Order No. 24 V AC/DC	Order No. 42 V AC/DC	Order No. 42 V AC	Order No. 230 V AC
25 Mid-Power LEDs	20 W	2,050	512	SLBG62420	SLBG64220	-	SLBG62320
50 Mid-Power LEDs	40 W	4,100	812	SLBG62440	-	SLBG64240	SLBG62340



MODELS Type W6 End caps with integrated mounting angle:

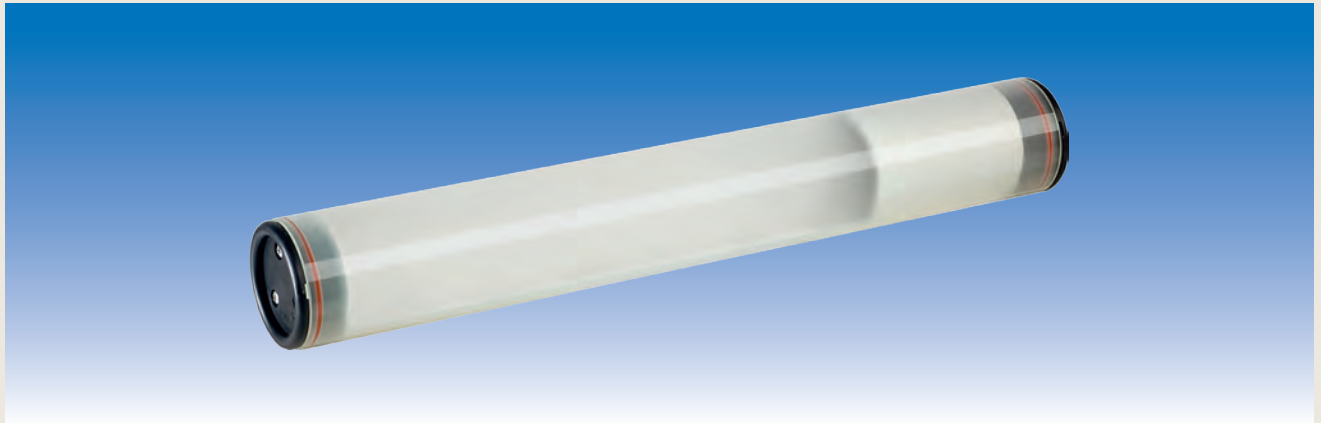
Light Source	Output	Lumen	Length in mm	Order No. 24 V AC/DC	Order No. 42 V AC/DC	Order No. 42 V AC	Order No. 230 V AC
25 Mid-Power LEDs	20 W	2,050	540	SLBW62420	SLBW64220	-	SLBW62320
50 Mid-Power LEDs	40 W	4,100	840	SLBW62440	-	SLBW64240	SLBW62340

FEATURES AND QUALITIES:

- high-quality hard-shell diffusion filter already mounted in the factory
- produces homogeneous light
- simple snap-on mounting on support rail
- filter mounting/dismounting without tools
- conversion of the light to direct lighting by removing the filter



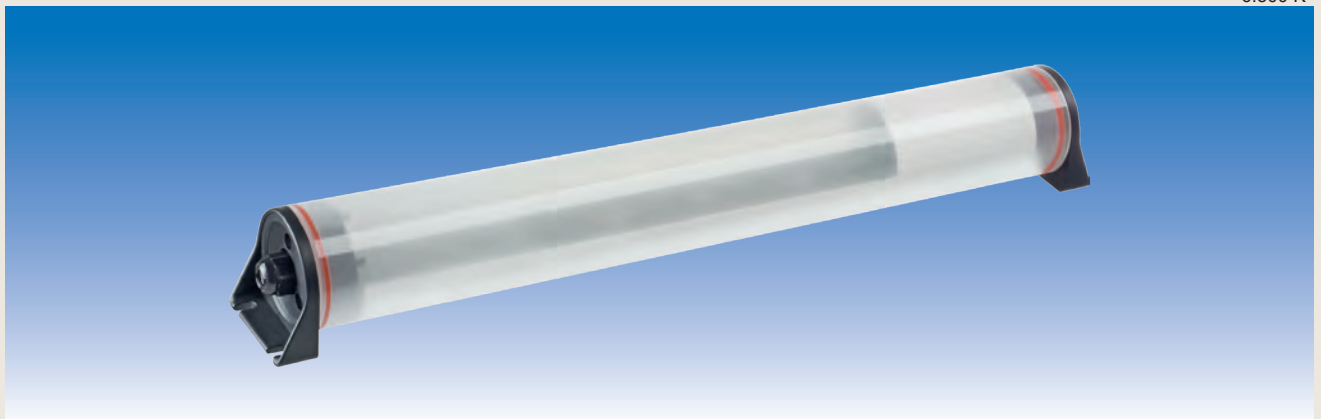
– other models on request / subject to modifications and errors –



MODELS Type G5 Smooth end cap (Mounting brackets: see accessories):

Light Source	Output	Lumen	Length in mm	Order No. 24 V AC/DC	Order No. 42 V AC/DC	Order No. 42 V AC	Order No. 230 V AC
25 Mid-Power LEDs	20 W	2,050	507	SLPGS52420	SLPGS54220	-	-
50 Mid-Power LEDs	40 W	4,100	807	SLPGS52440	-	SLPGS54240	-
60 Mid-Power LEDs	18 W	3,060	640	-	-	-	SLPG52318G*
120 Mid-Power LEDs	26 W	4,460	1.160	-	-	-	SLPG52326G*

* 6.500 K



MODELS Type W5 End caps with integrated mounting angle:

Light Source	Output	Lumen	Length in mm	Order No. 24 V AC/DC	Order No. 42 V AC/DC	Order No. 42 V AC	Order No. 230 V AC
25 Mid-Power LEDs	20 W	2,050	535	SLPW52420	SLPW54220	-	-
50 Mid-Power LEDs	40 W	4,100	835	SLPW52440	-	SLPW54240	-
60 Mid-Power LEDs	18 W	3,060	669	-	-	-	SLPW52318G*
120 Mid-Power LEDs	26 W	4,460	1.189	-	-	-	SLPW52326G*

* 6.500 K

FEATURES AND QUALITIES:

- high-quality hard-shell diffusion filter already mounted in the factory
- produces homogeneous light
- simple snap-on mounting on support rail
- filter mounting/dismounting without tools
- conversion of the light to direct lighting by removing the filter



– other models on request / subject to modifications and errors –

SPECIAL FEATURES:

- IP67 – dust- and watertight → SAFETY also when used in extremely wet areas
- mid-power LEDs provide white, concentrated glare-free illumination → ideal for lighting at close range
- very low generation of heat → no danger of injury from burns in the case of direct physical contact or direct contact with the lamp
- the LEDs are vibration resistant and have a life expectancy of up to 50,000 hours → a sudden total loss of diodes is nearly impossible. Even at the end of operating life, the light does not go out completely. This quality means a high degree of OPERATIONAL RELIABILITY
- an integrated LED driver supplies the LEDs with constant power long-term in DC operation → this ensures an extremely long operating life with optimal lighting performance
- colour temperature 5.500 K (*SLPG523/SLPW523: 6.500 K) → similar to daylight

ALFLED



ELSPRO[®]

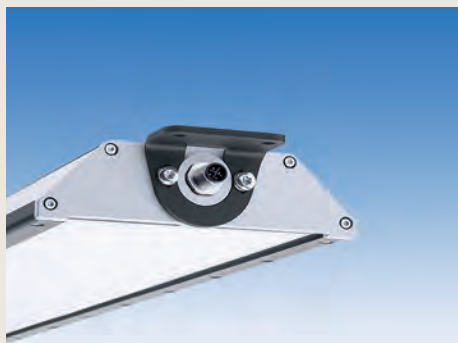


First select the type of mounting you require.

Your order then consists of:

REQUIRED MOUNTING BRACKET
+ SELECTED ALFLED VERSIONS
+ SELECTED CONNECTION TYPE

Order No.:



Lateral mounting brackets for wall or ceiling mounting, close-fitting

163-410

Set consisting of 2 black-anodised aluminium mounting brackets, including attachment fittings for fastening to the ALFLED



Lateral mounting brackets for corner or ceiling mounting, 90° tilting

163-411

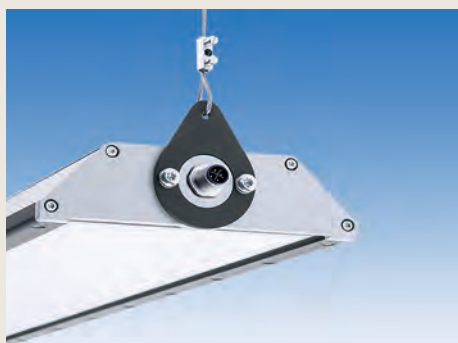
Set consisting of 2 black-anodised aluminium mounting brackets, including attachment fittings for fastening to the ALFLED



Lateral mounting brackets for wall mounting, +/- 45° tilting

163-412

Set consisting of 2 black-anodised aluminium mounting brackets, including attachment fittings for fastening to the ALFLED



Lateral mounting lugs for suspending ceiling-mounted ALFLED

163-413

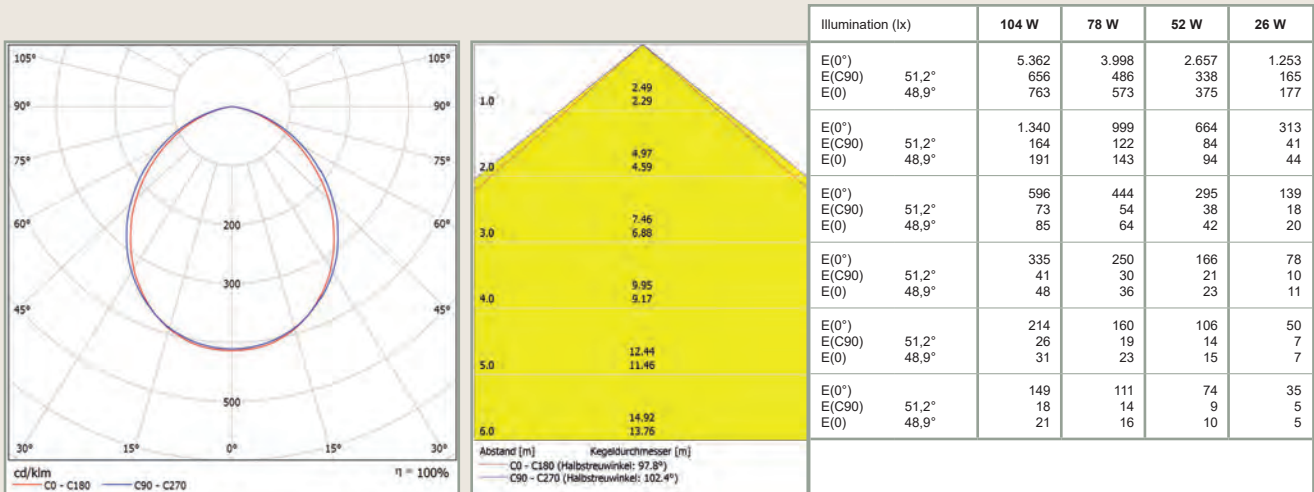
Set consisting of 2 black-anodised aluminium mounting brackets, including attachment fittings for fastening to the ALFLED and 2 wire ropes with attachment kit



VERSIONS:

- models with two led panels, diffuser and tempered front glass

Lamp	Output	Luminous flux	R _a	Beam angle	Length in mm	Order No. 24 V DC	Order No. 230 V AC
Mid-Power LED 2 LED panels	26 W	3.017 lm	> 80	100°/100°	586 mm	7A242615	7A232615
	52 W	6.405 lm			866 mm	7A245215	7A235215
	78 W	9.664 lm			1.276 mm	7A247815	7A237815
	104 W	12.958 lm			1.556 mm	7A2410415	7A2310415



CONNECTION TYPES:

Cable connector* (coupling)	Cable	Order No. 24 V DC	Order No. 230 V AC	
		T-coded	S-coded	
	No cable	160-800	160-900	
	5 m	INDUSTRIEFLEX® 07HT 2x1,0 mm ²	160-805	-
		ELSPRO-FLEX® G 05 2x1,0 mm ²	160-805G	-
		INDUSTRIEFLEX® 07HT 3G1,0 mm ²	-	160-9E5
		ELSPRO-FLEX® G 05 3G1,0 mm ²	-	160-9E5G

* Angled cable connector on request

– other models on request / subject to modification and errors –

ALFLED

Aluminium Area Lamp LED

ALTERNATIVE VERSIONS

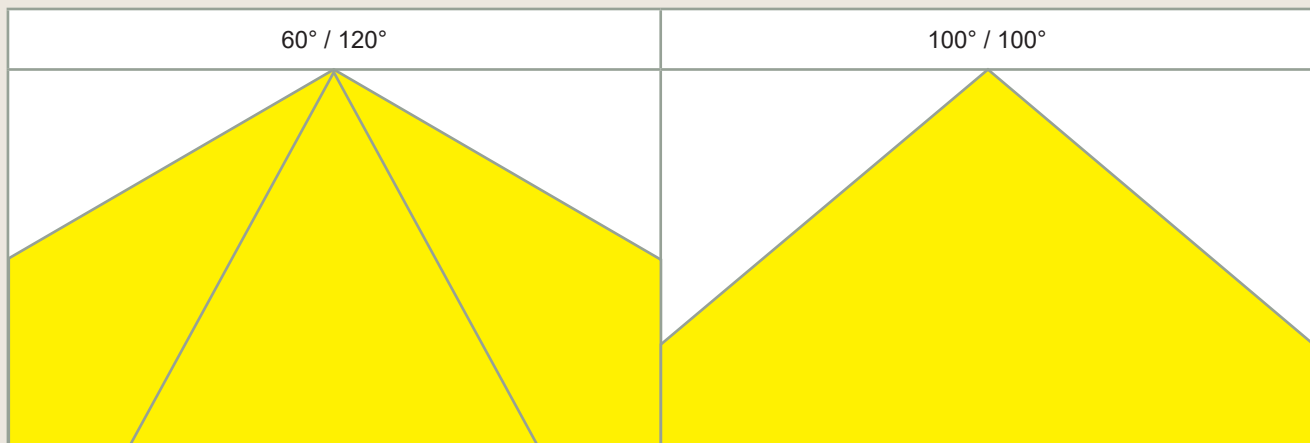
ASK US FOR YOUR SPECIFIC VARIANT:

1.508 lm	3.017 lm		4.832 lm	6.405 lm		9.664 lm	12.958 lm
13 W	26 W		39 W	52 W		78 W	104 W
1 LED PANEL	1 LED PANEL	2 LED PANELS	1 LED PANEL	1 LED PANEL	2 LED PANELS	2 LED PANELS	2 LED PANELS
586 mm	866 mm	586 mm	1.276 mm	1.556 mm	866 mm	1.276 mm	1.556 mm

POWER SUPPLY:

24 V DC	230 V AC
---------	----------

BEAM ANGLE:



FRONT GLASS:

TEMPERED GLASS	POLYCARBONATE	COLOURED POLYCARBONATE
----------------	---------------	------------------------

DIMMABILITY:

NON-DIMMABLE (STANDARD)	DIMMABLE
-------------------------	----------

WIRING:

STANDARD	FOR CONNECTING IN SERIES*
----------	---------------------------

Plug 24 V DC T-coded **160-801**
Plug 230 V AC S-coded **160-700**
assembled connecting cables on demand

* The following combinations are technically not possible: DIMMABLE and CONNECTING IN SERIES

– other models on request / subject to modification and errors –

SPECIAL FEATURES:

- Lamp body manufactured from black-anodised extruded aluminium profile EN AW 6060 T66
 - Side parts for attaching brackets are manufactured in diecast aluminium with baked PTFE coating
 - 4 mm hardened front glass with spray-on, oil-resistant seal for standard
 - Polycarbonate (coloured) front glass available
 - Diffuser, WN670
 - Low-loss electronic LED driver
 - Colour temperature 5,000 Kelvin
 - Ingress protection type IP67
 - Standard: 4-pole input with panel-mount connector 12A / M12 plug-in connector system
 - Protection class 1 (230 V) or protection class 3 (low voltage)
 - Beam angle of 60°/120° and 100°/100° available
 - Versions with 1 LED panel oder 2 LED panels
 - Ambient temperature -25°C to +40°C
 - Special-purpose solutions

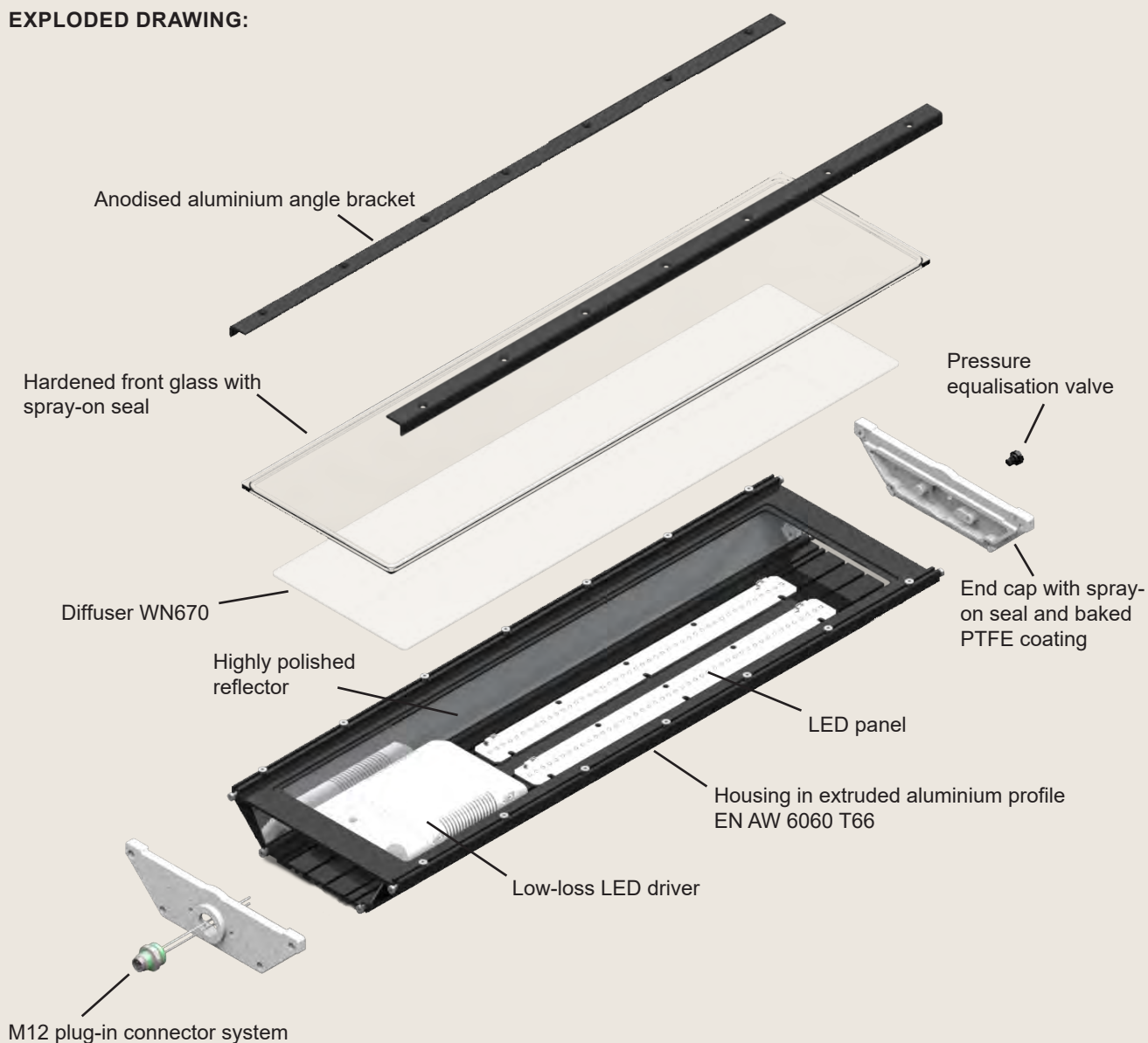
 - Models for different application areas, ask for your solution!
- Enclosed, therefore very strong housing.
Large surface area for efficient heat management
 - Side parts with spray-on foam seal make the profile dust and waterproof
 - Resistant to swarf and sparks, dust and waterproof

 - Break-proof, suitable for food industry
 - For a homogeneous distribution of light
 - High efficiency, low energy costs
 - Daylight white
 - Dust and waterproof
 - Coded plug-in connector system with high protection type
 - Excellent personnel protection

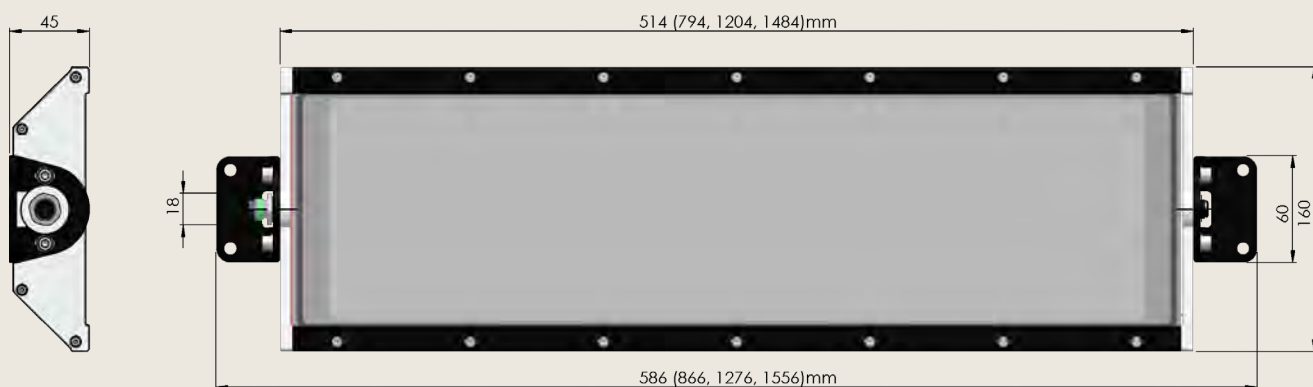
 - Individually configurable
 - For various light intensity
 - Suitable for different temperatures
 - For example:
 - dimmable via DALI control
 - dimmable via potentiometer
 - for connecting in series
 - Different application areas, e.g.:
 - Ceiling lights
 - Wall lights
 - Pendant lamp
 - Machine lamp
 - Workplace lamp
 - In wet areas
 - High-bay luminaire
 - Wire rope lamp
 - Food industry

– other models on request / subject to modification and errors –

EXPLODED DRAWING:



DIMENSIONS:



– other models on request / subject to modification and errors –



VERSIONS:

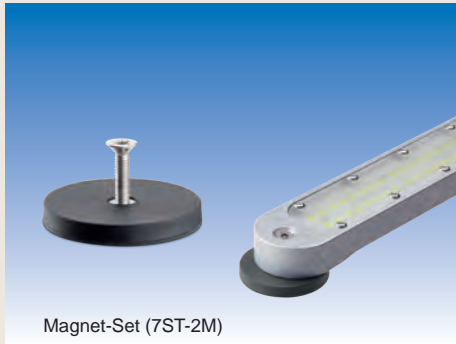
Voltage	Power	Luminous flux	Input	Dimensions (L x W x H)	Weight	Order no.
24 V DC*	6 W	600 lm	Built-in appliance connector 4 pol. / 4 A / 24 V DC / M8	190 x 40 x 18 mm	0.3 kg	7ST24S
			5 m ELSPRO-FLEX® G05** 2 x 1.0 mm ²		0.7 kg	7ST24S/5-
	12 W	1,200 lm	Built-in appliance connector 4 pol. / 4 A / 24 V DC / M8	310 x 40 x 18 mm	0.5 kg	7ST24M
			5 m ELSPRO-FLEX® G05** 2 x 1.0 mm ²		0.9 kg	7ST24M/5-
	24 W	2,400 lm	Built-in appliance connector 4 pol. / 4 A / 24 V DC / M8	555 x 40 x 18 mm	0.7 kg	7ST24L
			5 m ELSPRO-FLEX® G05** 2 x 1.0 mm ²		1.10 kg	7ST24L/5-

* other voltages on request
** ELSPRO-FLEX® G05 see page 8.9

FEATURES:

- 32 / 64 / 128 x NICHIA 757 LEDs
 - Colour temperature 5,500 K
 - Beam angle 120
 - Lifetime of at least 50,000 hours
 - Housing made of aluminium (solid material) and front pane made of acrylic glass
 - Direct mounting or mounting by means of magnet sets, either flat or with tilting joints
 - IP 67
 - low overall height of only 18 mm
 - Protection class 3
- high luminous efficacy and uniform light pattern
 - daylight white
 - large beam angle with uniform illumination
 - proven durability
 - high quality and robust, reliable use under extreme conditions
 - easy installation in machines and production lines
 - dustproof and waterproof
 - Easy installation even in very tight spaces and installation locations
 - Protecting personnel at the highest level

- other versions on request / subject to change and error -



Magnet-Set (7ST-2M)

Accessories

- 2 holding magnets
- Ø 43 mm, height 5 mm
 - Adhesive force 10 kg
 - incl. fastening screws
 - Magnet with rubber coating

Order no.

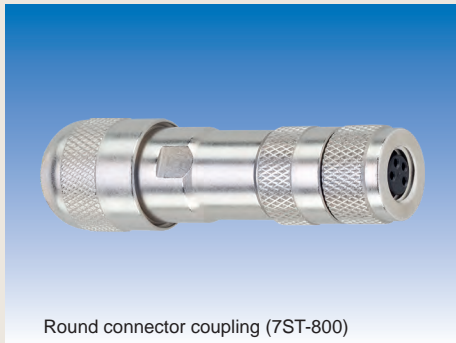
7ST-2M



Swivelling magnet set (7ST-2M/SB)

- 2 swivelling (90°) holding magnets
- Ø 43 mm, height 27 mm
 - Adhesive force 10 kg
 - incl. fastening screws
 - Magnet with rubber coating

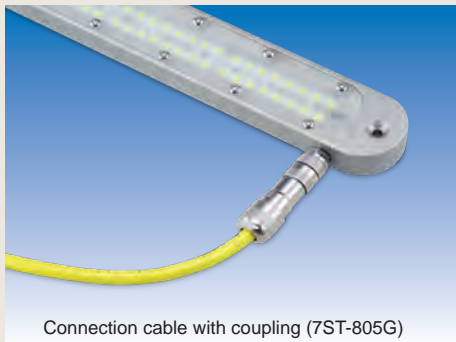
7ST-2M/SB



Round connector coupling (7ST-800)

- Round connector coupling
- 4 pole / 4 A / 24 V / M8 / IP 67
 - Flexible wire gauge 1.00 mm²
 - Screw terminal connection
 - for a cable diameter of 6.0 - 8.0 mm
 - CuZn brass housing material
 - Material contact pins: Brass, gold plated
 - Temperature resistance -40° / + 85° °C
 - IP 67 protection class

7ST-800

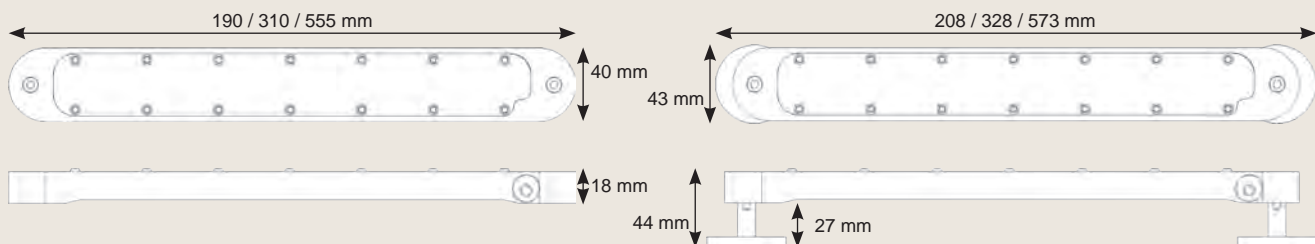


Connection cable with coupling (7ST-805G)

- Pre-assembled device connection cable consisting of:
- 5 m ELSPRO-FLEX® G05 2x1,0
 - Yellow signal colour
 - highly flexible special hose line with modified polyurethane jacket and copper class 6
 - 25 mm open cable end stripped and fitted with wire end ferrules
 - 1 Round connector coupling
 - 4 pole / 4 A / 24 V / M8 / IP 67
 - PIN 1 plus
 - PIN 3 minus
 - for a cable diameter of 6.0 - 8.0 mm

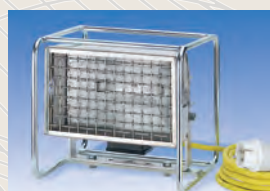
7ST-805G

DIMENSIONS:



- other versions on request / subject to change and error -

Spotlights and floodlights



ELSPRO®

MILAN



LED Spotlights MILAN

Save costs

Save time

Increased safety

5mm tempered safety glass

with UV filter

- Prevents blue light from escaping
- Protects people and animals
- Protects insects

Flexible mounting

Thanks to robust mounting bracket, inclination from -120° to $+120^{\circ}$ can be adjusted optionally as a mobile luminaire with a tripod holder for DIN spigots in accordance with DIN 14640

Highly efficient Zhaga Standard (Book 15) LEDs with 156 L/W. Power Factor > 0.98

Plastic powder-coated aluminium die-cast housing (colour RAL 9022) robust, weatherproof and corrosion-resistant
Impact resistance IK10
Resistant to mechanical stress, such as heavy hail

Pressure equalisation valve

Prevents condensation and maintain IP tightness



Multifunctional high-tech LED driver dimmable 1-10 V.

Surge protection 20 kA (10 kV) - protects against costly failures

Automatic mains interruption
When opening the housing*

Degree of protection

IP66

Dust-proof and protected against strong water splashes from all directions

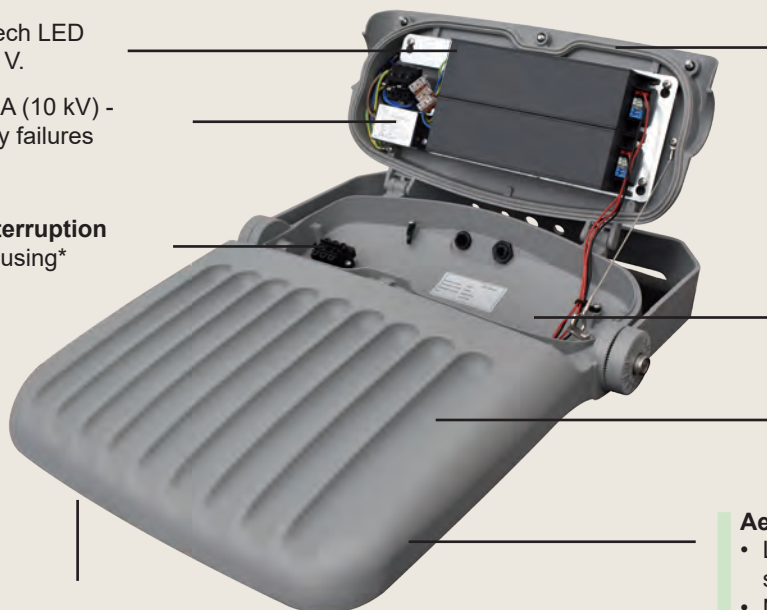
Two-zone concept

(Two chambers for LED module and driver) for optimal thermal management

Aerodynamic design

- Low contamination due to smooth surface
- No cooling fins are necessary for heat dissipation

Beam angle
Asymmetric (A4)
Excellent and uniform surface illumination



* For EML250 and EML460

– Further models, accessories and spare parts on request / subject to change and error –



MODELS:

Voltage	Power	Luminous flux	Luminaires	Colour temperature	Dimensions (L x W x H)	Weight	Order no.
220 - 240 V AC 47 - 63 Hz	80 W	12,312 lm	36 pieces (3 x 12) High-power LED	4,000 K	390 283 283 x 73 mm	4.2 kg	EML80
	140 W	21,706 lm	48 pieces (3 x 16) High-power LED		490 390 283 x 81 mm	8.2 kg	EML140
	250 W	39,045 lm	96 pieces (6 x 16) High-power LED		595 460 283 x 95 mm	12.1 kg	EML250
	460 W	71,318 lm	168 pieces (14 x 12) High-power LED		727 558 283 x 107 mm	19.8 kg	EML460

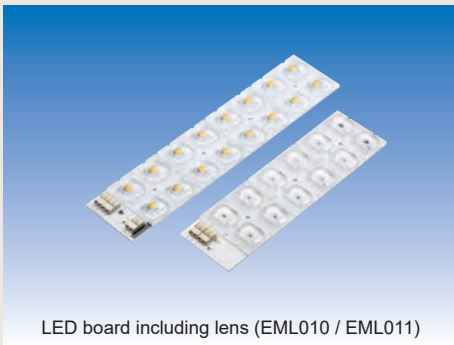
SPECIAL FEATURES:

- **LED life L90B10 > 100,000 hours**
Driver life < 70°C = 100,000 hours
 - **Up to 156 lumens/watt** (154 – 155 – 156 – 155)
 - Modular concept
 - Outstanding price/performance ratio (lm/€)
 - 36, 48, 96 or 168 high power LEDs type 5050
 - Ambient temperature -35°C to +50°C.
 - Highly resistant to 5G vibration
 - Luminosity class G6 and Upward Light Ratio (ULR) = 0%
 - Photobiological safety class RG0 (No risk)
 - Protection class 1
 - Colour Rendering Index (CRI) > 70
 - Light-weight, only 4.2 / 8.2 / 12.1 or 19.8 kg
- Outstanding, proven durability
 - Highly efficient LED technology: High luminous efficiency with low energy consumption – one of the most powerful and efficient LED spotlights on the market
 - Future-proof and sustainable thanks to easy-to-replace luminaire components (LEDs, drivers, lens optics, safety glass)
 - Low payback times
 - Homogeneous light image
 - Use even with large temperature fluctuations
 - No light emissions in the upper half-space and therefore no light pollution
 - Maximum safety for the user
 - Easy installation and maintenance

– Further models on request / subject to change and error –



Safety glass (EML005 - EML008)



LED board including lens (EML010 / EML011)

ACCESSORIES AND SPARE PARTS:

Safety glass (5 mm) with UV filter

- MILAN 80 W
- MILAN 140 W
- MILAN 250 W
- MILAN 460 W

Order no.

- EML005**
- EML006**
- EML007**
- EML008**

LED board including lens

- Colour temperature 4,000 K.
- Colour Rendering Index (CRI) > 70
- LED life L90B10 > 100,000 hours
- 12 LEDs, total luminous flux 6,313 lm
- 16 LEDs, total luminous flux 8,417 lm

- EML010**
- EML011**

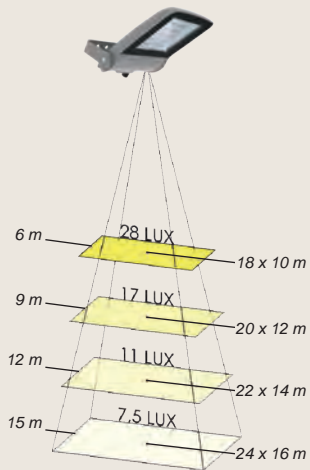
LED driver (not shown)

- Input voltage 230 V AC
- LED driver dimmable 1 - 10 V DC
- Continuous current 1,000 mA
- Nominal power 75 W (EML80)
- Nominal power 150 W (EML140)
- Nominal power 2 x 150 W (EML250)
- Nominal power 250 W.
- Nominal power 2 x 250 W (EML460)

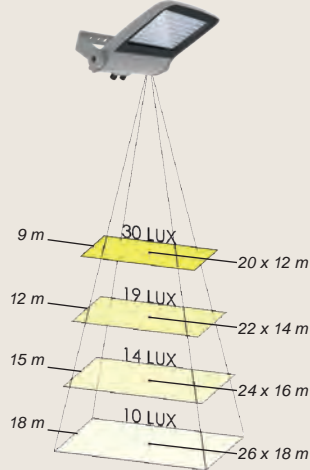
- EML001**
- EML002**
- EML002/SET**
- EML003**
- EML003/SET**

LIGHTING SPECIFICATIONS:

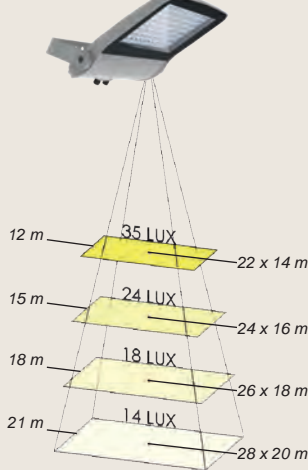
EML80



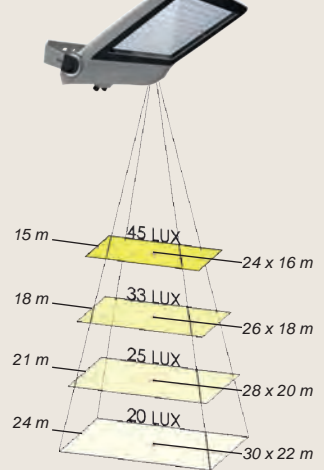
EML140



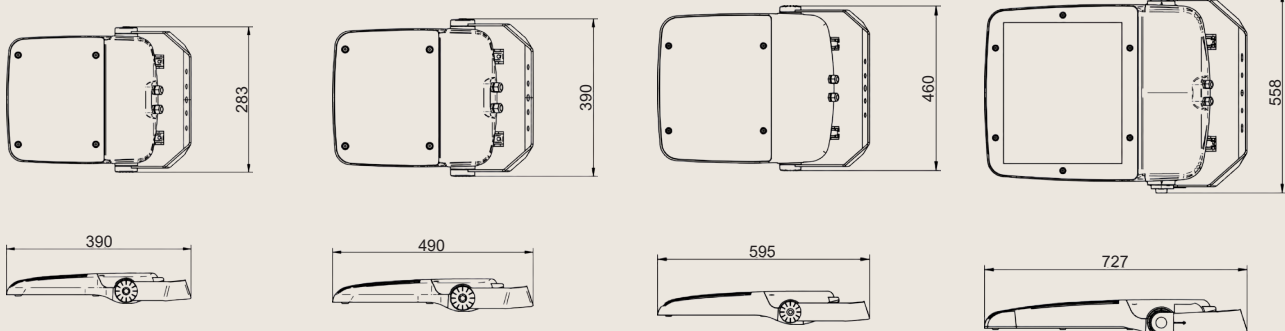
EML250



EML460



DIMENSIONS:



– Further models, accessories and spare parts on request / subject to change and error –

Halogen Floodlight



Output

Cable

with

plug

Order No.
24 V

Order No.
42 V*

Type HST
potential-free model

Output	Cable	with	plug	Order No. 24 V	Order No. 42 V*
2 x 50 W	—	—	—	F205	F405
2 x 100 W	—	—	—	F210	F410
2 x 150 W	—	—	—	F215	F415
2 x 50 W	10 m	CEE 16A 2p.	—	F205/10	F405/10
2 x 50 W	15 m	CEE 16A 2p.	—	F205/15	F405/15
2 x 50 W	20 m	CEE 16A 2p.	—	F205/20	F405/20
2 x 100 W	10 m	CEE 16A 2p.	—	F210/10	F410/10
2 x 100 W	15 m	CEE 16A 2p.	—	F210/15	F410/15
2 x 100 W	20 m	CEE 16A 2p.	—	F210/20	F410/20
2 x 150 W	10 m	CEE 16A 2p.	—	F215/10	F415/10
2 x 150 W	15 m	CEE 16A 2p.	—	F215/15	F415/15
2 x 150 W	20 m	CEE 16A 2p.	—	F215/20	F415/20



fig. with accessory F95 stackable carrying frame

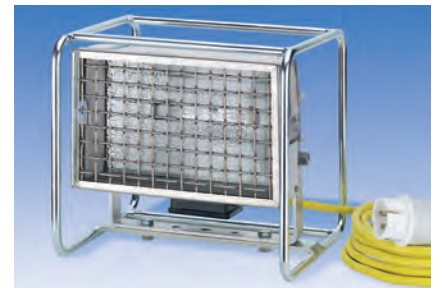


fig. with accessories F95 and F96

Accessories / Replacement Parts:

- Protective and carrying frame, galvanized, stackable
- Protective grille of V2A steel
- Glare protection / louvre grid of Nirosa
- Super gripping clamp with adaptor
- Tripod for 1 floodlight (recommended max. height 3.60 m)**
- Basic mounting bracket for 1 lamp
- Front glass plate, heat-resistant
- Frame for front glass plate
- Mounting bracket
- Retaining nut for F03
- Complete terminal box
- Retention springs for the front glass plate
- Replacement reflector
- Seal
- Spring tension fastener
- Ceramic socket for halogen element
- Holding bracket for socket

Halogen Elements:

50 W	24V	H050
100 W	24V	H100
150 W	24V	H150
50 W	42V	H050/42
100 W	42V	H100/42
150 W	42V	H150/42
50 W	42V	H050/42B

*with original ELSPRO industrial halogen elements 42 V

**safety circuit (parallel)

** for further information, see pages 19.12 and 19.1

- F95
- F96
- F10
- F16
- TV7731
- TV001
- F01
- F02
- F03
- F04
- F05
- F06
- F07
- F08
- F12
- F13
- F14



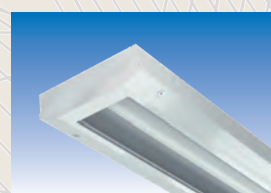
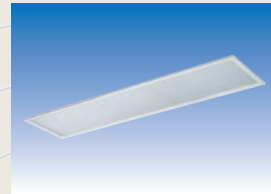
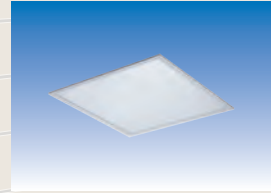
Tripod TV7731



Basic mounting bracket TV001 required

– other models on request / subject to modification and errors –

ELSPRO High-Bay/Wall/Ceiling Lights LED Linear Lightning / LED-Panel LED Trough / Surface Light





VERSIONS:

Voltage	Power	Luminous flux	R _a	Beam angle	Dimensions (L x B x H)	Weight	Order no.
100 - 240 V AC 50 / 60 Hz	max. 48 W	6,700	≥ 80	110°	240 x 267 x 210 mm (Including bracket)	4.2 kg	ESJ048110
		6,100	≥ 80	60°			ESJ048060

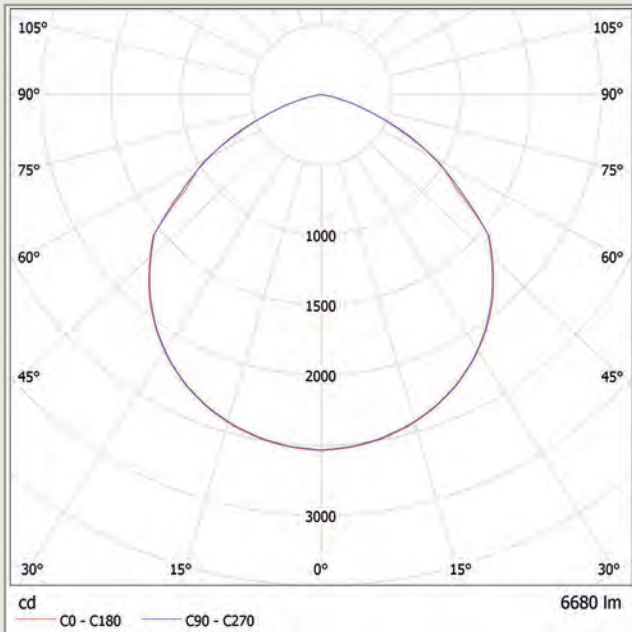
SPECIAL FEATURES:

- ① **110° version:** High-performance LED module with 228 nodes evenly distributed on a large area and a 110° beam angle produces a homogeneous light pattern
 - Perfect for providing even illumination of areas
- ② **60° version:** 24 high-performance LEDs with supplementary lenses and a 60° beam angle produces a focused light pattern
 - For providing focused illumination of areas from a great height
- Colour temperature: 5,000 K
 - Daylight white
- Ambient temperature: **-30 °C to +55 °C**
 - Can be used indoors and outdoors, even under large temperature fluctuations
- Ingress protection type: **IP66**
 - Proof against dust entry and protected against for powerful water jets
- Connection is by a flexible cable (approx. 50 cm) with jacketed ends
 - No negative interactions due to heating up
- Mains adapter and driver are fitted in an extra housing on the bracket for easy mounting
 - protection - safety
- The low weight of only 4.2 kg and strong mounting bracket allows for easy and reliable ceiling or wall mounting An additional safety wire with karabiner hook is included

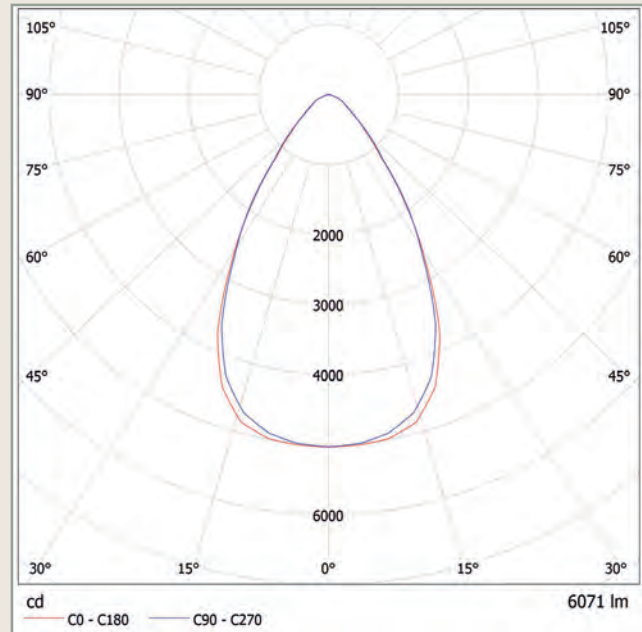
– Other versions on request / subject to changes, E&OE –

Light emission:

SPACEJET 48 - 110°



SPACEJET 48 - 60°

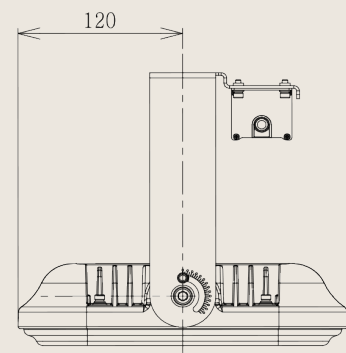
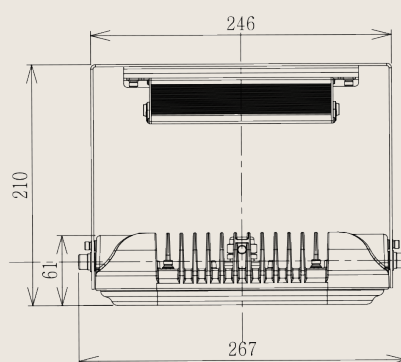
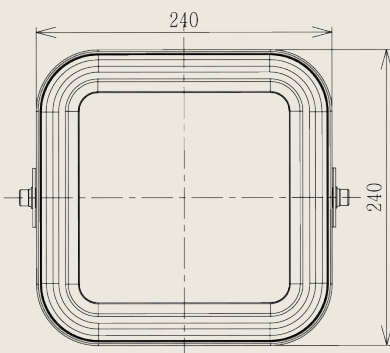


Abstand [m]	Kegeldurchmesser [m]	Beleuchtungsstärke [lx]
1.0	2.79 2.73	E(0°) 2538 E(C90) 54.4° 250 E(C0) 53.8° 262
2.0	5.59 5.47	E(0°) 635 E(C90) 54.4° 63 E(C0) 53.8° 66
3.0	8.38 8.20	E(0°) 282 E(C90) 54.4° 28 E(C0) 53.8° 29
4.0	11.17 10.93	E(0°) 159 E(C90) 54.4° 16 E(C0) 53.8° 16
5.0	13.97 13.66	E(0°) 102 E(C90) 54.4° 10 E(C0) 53.8° 10

Legend:
 C0 - C180 (Halbstreuwinkel: 107.6°)
 C90 - C270 (Halbstreuwinkel: 108.8°)

Abstand [m]	Kegeldurchmesser [m]	Beleuchtungsstärke [lx]
1.0	1.22 1.23	E(0°) 5036 E(C90) 31.3° 1572 E(C0) 31.5° 1569
2.0	2.43 2.45	E(0°) 1259 E(C90) 31.3° 393 E(C0) 31.5° 392
3.0	3.65 3.68	E(0°) 560 E(C90) 31.3° 175 E(C0) 31.5° 174
4.0	4.86 4.90	E(0°) 315 E(C90) 31.3° 98 E(C0) 31.5° 98
5.0	6.08 6.13	E(0°) 201 E(C90) 31.3° 63 E(C0) 31.5° 63

Legend:
 C0 - C180 (Halbstreuwinkel: 63.0°)
 C90 - C270 (Halbstreuwinkel: 62.6°)



- Other versions on request / subject to changes, E&OE -



VERSIONS:

Voltage	Output	Lumen	R _a	Dimensions	Weight	Order No.
100 - 240 V AC 50 / 60 Hz	max. 80 W	12,000 150 lm / W	≥ 80	Ø: 378.2 mm H: 191.5 mm (Including bracket)	9.1 kg	ESJ080110

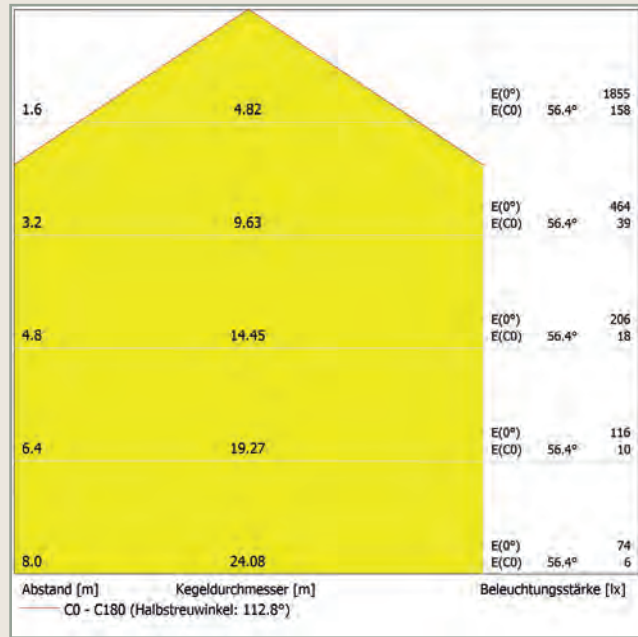
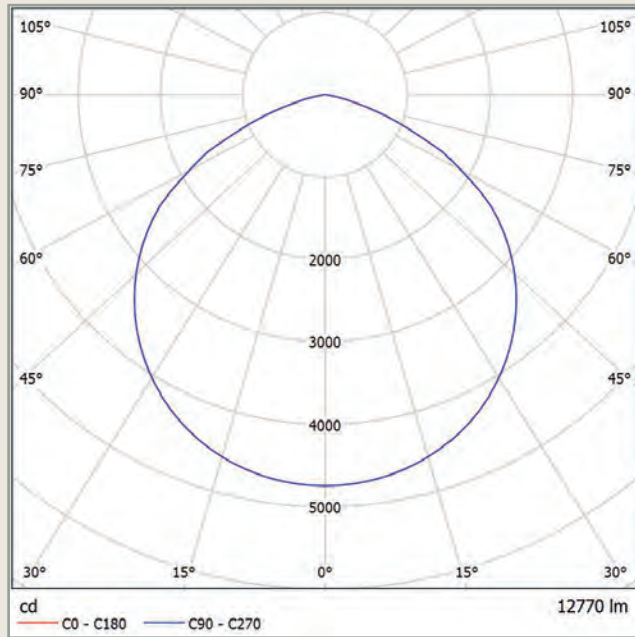
SPECIAL FEATURES:

- High-performance LED modules with 288 nodes evenly distributed on a large area and a 110° beam angle produces a homogeneous light pattern
 - Colour temperature: 5,000 K
 - Ambient temperature: **-20 °C to +55 °C**
 - Ingress protection type: **IP66**
 - Mains adapter and driver are fitted in an extra housing on the floodlight housing for easy mounting
 - Diecast aluminium housing with **special paint**
 - High number of cooling ribs
 - The low weight of only 9.1 kg (aluminium housing) and strong mounting bracket including eye-bolts allows for easy and reliable ceiling or wall mounting. An additional safety wires with karabiner hooks are included
 - Connection is by a flexible cable with jacketed ends
- Perfect for providing even illumination of areas
 - Similar to daylight
 - Can be used indoors and outdoors, even under large temperature fluctuations
 - Proof against dust entry and protected against for powerful water jets
 - No negative interactions due to heating up
 - Optimised reduction of dust deposits on the surface
 - Excellent heat management - designed for long LED service life of up to 50,000 hours - **COST SAVING**
 - Double protection - double safety

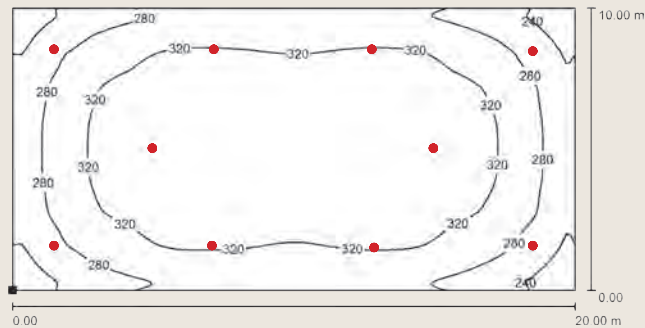


– Other versions on request / subject to changes, E&OE –

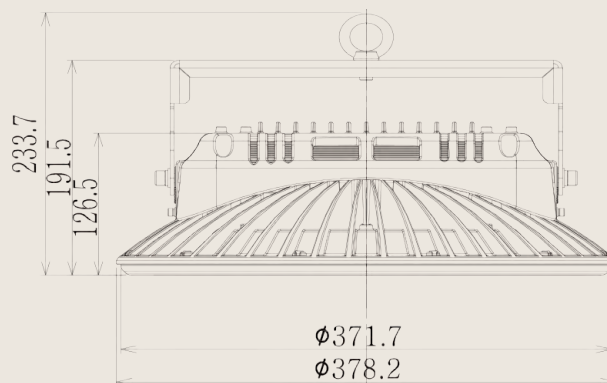
Light emission:



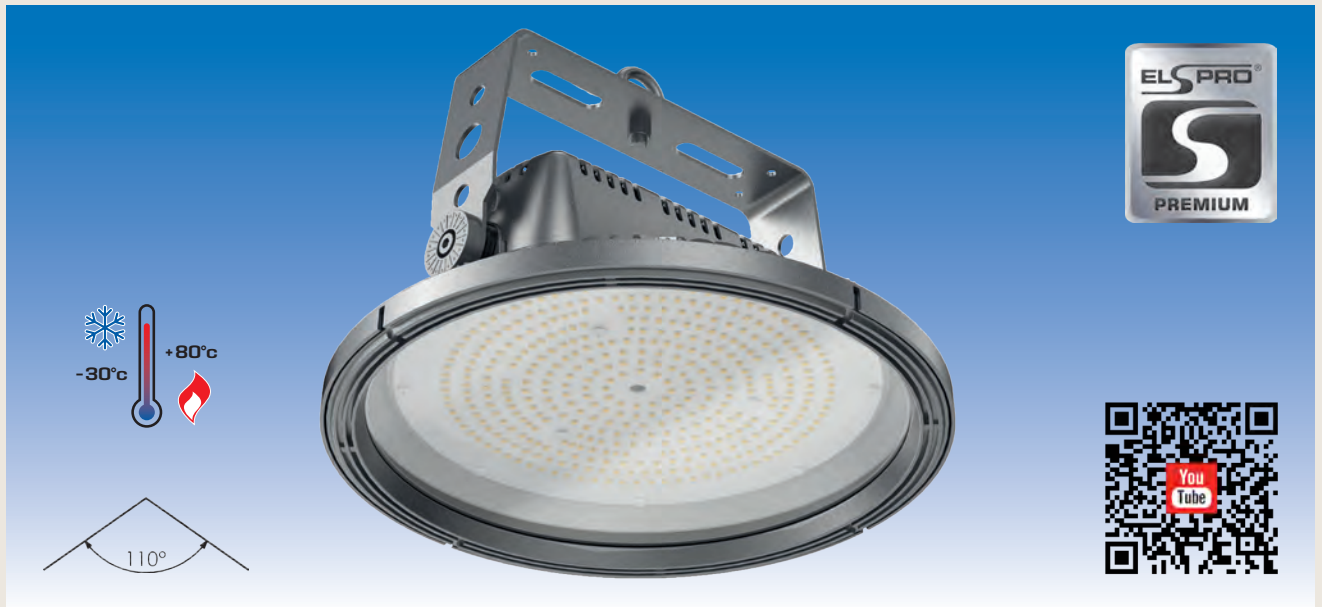
Example from practice 10 SPACEJET 80 110°:



Room height: 8,00 m
 Mounting height: 8,00 m
 Maintenance factor: 0,80
 Work plane: 0,85 m
 E_m : 309,00 Lux
 g_1 : 0,65



– Other versions on request / subject to changes, E&OE –



CONFIGURATIONS:

Voltage	Power	Luminous flux	Colour temperature	Dimensions (H x Ø)	Weight	Order no.
100 - 240 V AC 50 / 60 Hz	120 W	19.800 165 lm / W	5.000 K	233 x 380 mm (Including bracket)	6,3 kg	ESJDHT120110

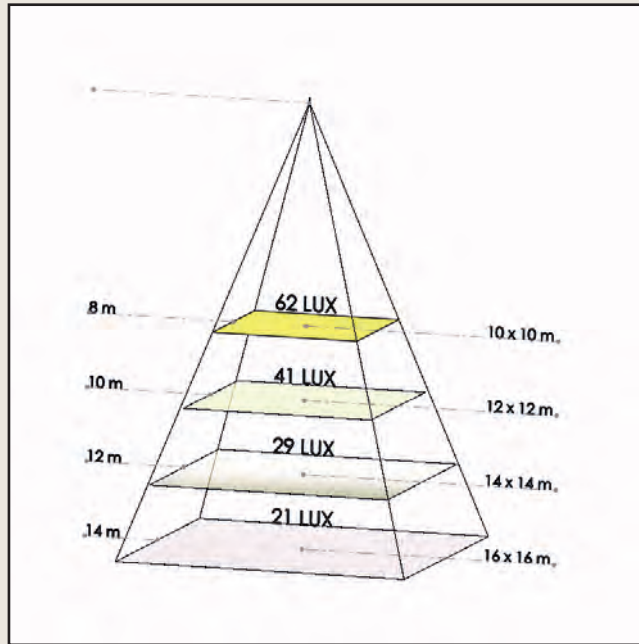
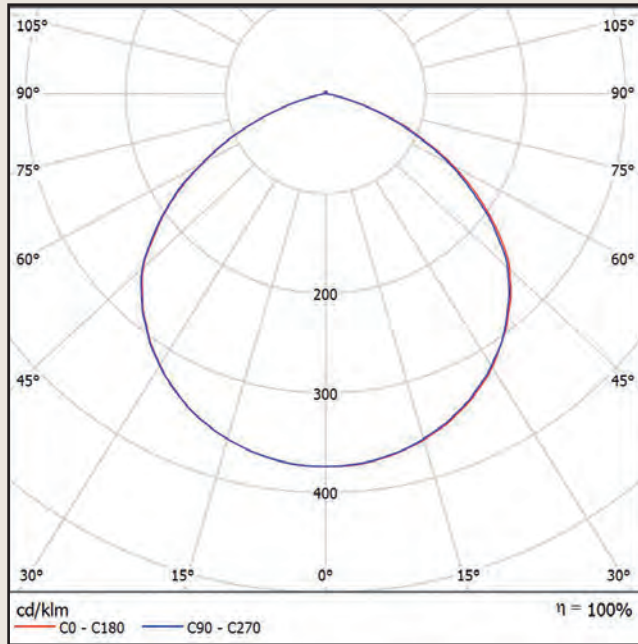
SPECIAL FEATURES:

- Highly efficient Samsung LEDs with 243 light points evenly distributed over a large area and a beam angle of 110° create a homogeneous light image → Basis for the even illumination of surfaces
- LED lifespan L90B10 - 50,000 hours**
- LED driver with overheating and overvoltage protection → Cost savings
- Ambient temperature: **-30°C bis +80°C** → Can also be used with large temperature fluctuations indoors and outdoors
- Protection class: **IP 66** → dustproof and protected against strong water jets
- LED driver is housed in an extra housing on the spot-light housing for easy installation → No negative interactions due to heating
- Die-cast aluminium housing **with special chromate powder coating** → Optimised reduction of dust deposits on the surface
- High number of cooling fins → Excellent heat management - prerequisite for the long service life of the LEDs of up to 50,000 hours - **COST SAVINGS**
- The low weight of only 6,3 kg (aluminium housing) and strong mounting bracket including eye-bolts allows for easy and reliable ceiling or wall mounting An additional safety wires with karabiner hooks are included. → Double protection - double safety
- The connection is made via a flexible cable (80 cm) with stripped ends
- Power factor > 0,9
- Colour rendering index CRI ≥ 80
- Protection class 1
- Shock resistance IK 08
- with DALI control unit



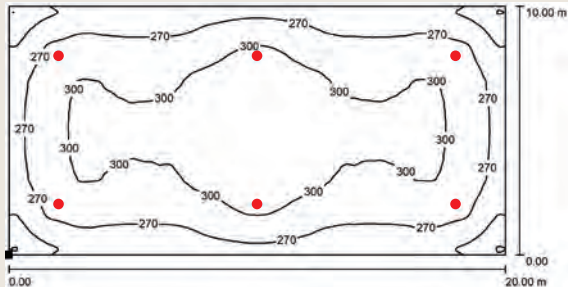
– additional versions upon request / all rights reserved –

Light emission:

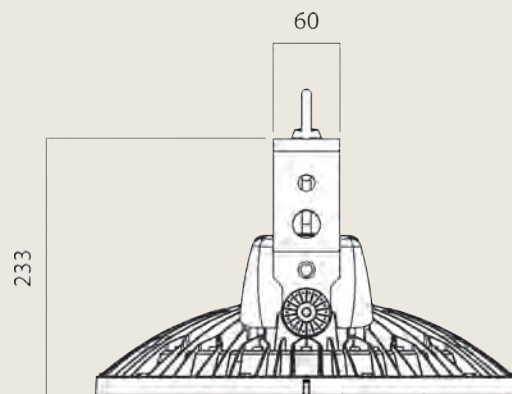
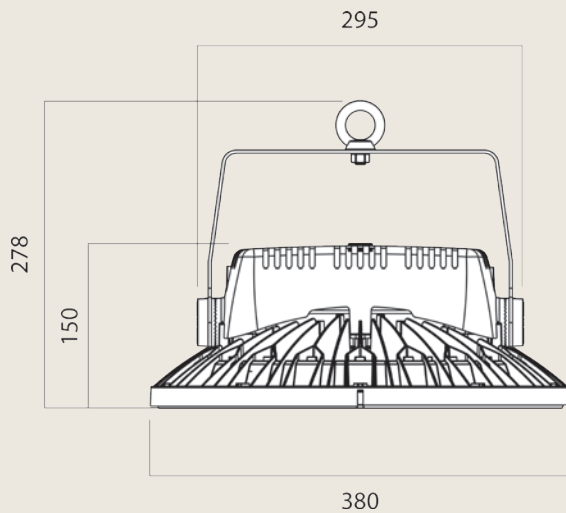


Please note: The lux values shown are average values of the specified area without taking into account the reflection from walls, ceilings and floors. The real values may be higher.

Application example 6 SPACEJET 120 110°:



Room height:	8,00 m
Mounting height:	8,00 m
Maintenance factor:	0,80
Usage level:	0,85 m
E_m :	284,00 Lux
g_1 :	0,71



– additional versions upon request / all rights reserved –



CONFIGURATIONS:

Voltage	Power	Luminous flux	Colour temperature	Dimensions (H x Ø)	Weight	Order no.
100 - 240 V AC 50 / 60 Hz	120 W	19.100 160 lm / W	5.000 K	233 x 380 mm (Including bracket)	6,4 kg	ESJDHT120070

SPECIAL FEATURES:

- Highly efficient Samsung LEDs with 160 light points evenly distributed over a large area and a beam angle of 70° create a homogeneous light image
 - Basis for the even illumination of surfaces
- **LED lifespan L90B10 - 50,000 hours**
- LED driver with overheating and overvoltage protection
 - Cost savings
- Ambient temperature: **-30°C bis +80°C**
 - Can also be used with large temperature fluctuations indoors and outdoors
- Protection class: **IP 66**
 - dustproof and protected against strong water jets
- LED driver is housed in an extra housing on the spot-light housing for easy installation
 - No negative interactions due to heating
- Die-cast aluminium housing **with special chromate powder coating**
 - Optimised reduction of dust deposits on the surface
- High number of cooling fins
 - Excellent heat management - prerequisite for the long service life of the LEDs of up to 50,000 hours - **COST SAVINGS**
- The low weight of only 6,4 kg (aluminium housing) and strong mounting bracket including eye-bolts allows for easy and reliable ceiling or wall mounting An additional safety wires with karabiner hooks are included.
 - Double protection - double safety
- The connection is made via a flexible cable (80 cm) with stripped ends
- Power factor > 0,9
- Colour rendering index CRI ≥ 80
- Protection class 1
- Shock resistance IK 08
- with DALI control unit



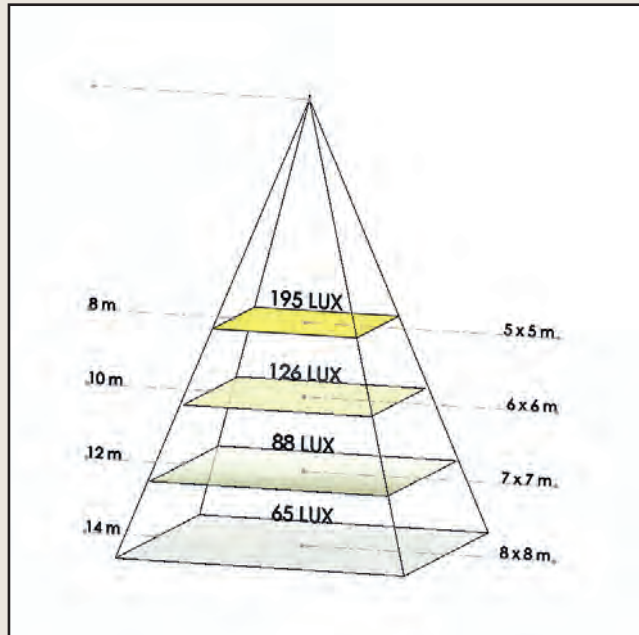
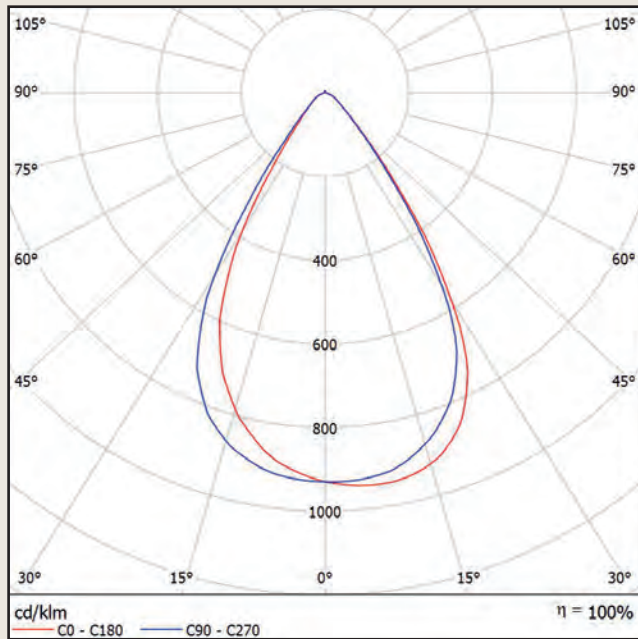
– additional versions upon request / all rights reserved –

LED floodlight with DALI control unit
SPACEJET HT 120 70°



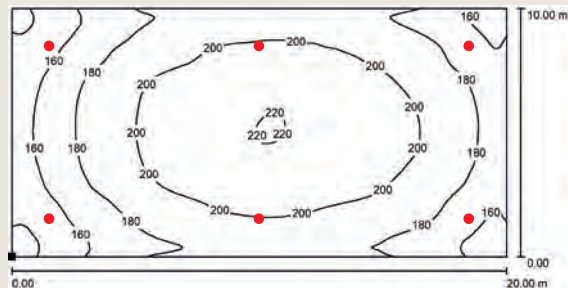
IP66 CE

Light emission:

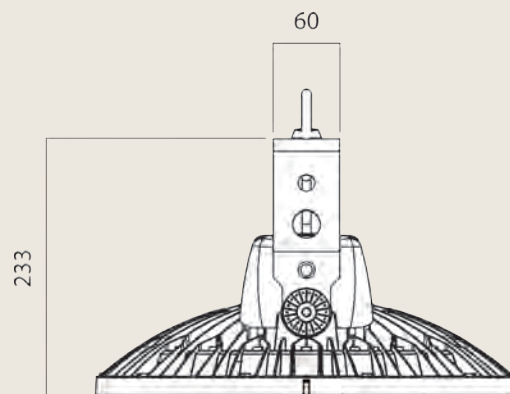
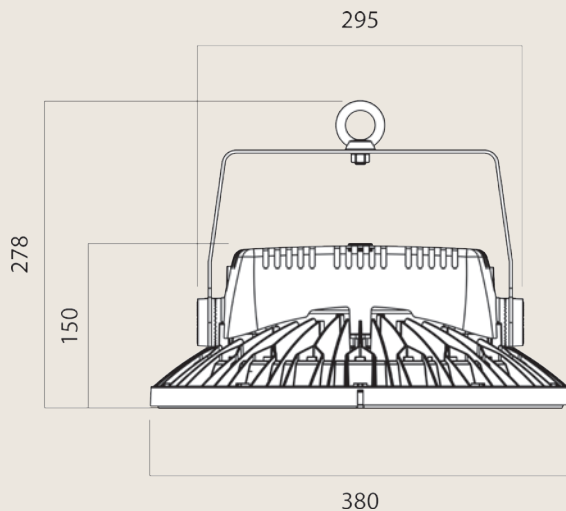


Please note: The lux values shown are average values of the specified area without taking into account the reflection from walls, ceilings and floors. The real values may be higher.

Application example 6 SPACEJET 120 70°:



Room height:	18,00 m
Mounting height:	18,00 m
Maintenance factor:	0,80
Usage level:	0,85 m
E_m :	188,00 Lux
g_1 :	0,70



– additional versions upon request / all rights reserved –



CONFIGURATIONS:

Voltage	Power	Luminous flux	Colour temperature	Dimensions (H x Ø)	Weight	Order no.
100 - 240 V AC 50 / 60 Hz	200 W	34.100 170 lm / W	5.000 K	233 x 380 mm (Including bracket)	6,3 kg	ESJDHT200110

SPECIAL FEATURES:

- Highly efficient Samsung LEDs with 386 light points evenly distributed over a large area and a beam angle of 110° create a homogeneous light image
 - Basis for the even illumination of surfaces
- **LED lifespan L90B10 - 50,000 hours**
- LED driver with overheating and overvoltage protection
 - Cost savings
- Ambient temperature: **-30°C bis +80°C**
 - Can also be used with large temperature fluctuations indoors and outdoors
- Protection class: **IP 66**
 - dustproof and protected against strong water jets
- LED driver is housed in an extra housing on the spot-light housing for easy installation
 - No negative interactions due to heating
- Die-cast aluminium housing **with special chromate powder coating**
 - Optimised reduction of dust deposits on the surface
- High number of cooling fins
 - Excellent heat management - prerequisite for the long service life of the LEDs of up to 50,000 hours - **COST SAVINGS**
- The low weight of only 6,3 kg (aluminium housing) and strong mounting bracket including eye-bolts allows for easy and reliable ceiling or wall mounting. An additional safety wires with karabiner hooks are included.
 - Double protection - double safety
- The connection is made via a flexible cable (80 cm) with stripped ends
- Power factor > 0,9
- Colour rendering index CRI ≥ 80
- Protection class 1
- Shock resistance IK 08
- with DALI control unit

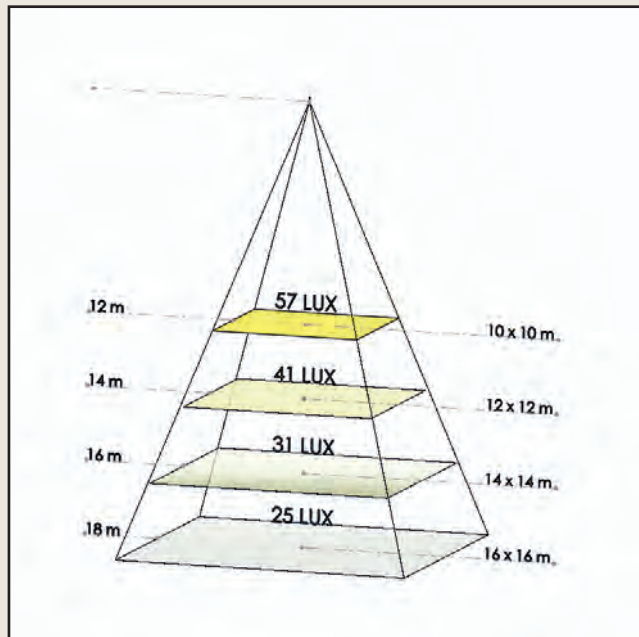
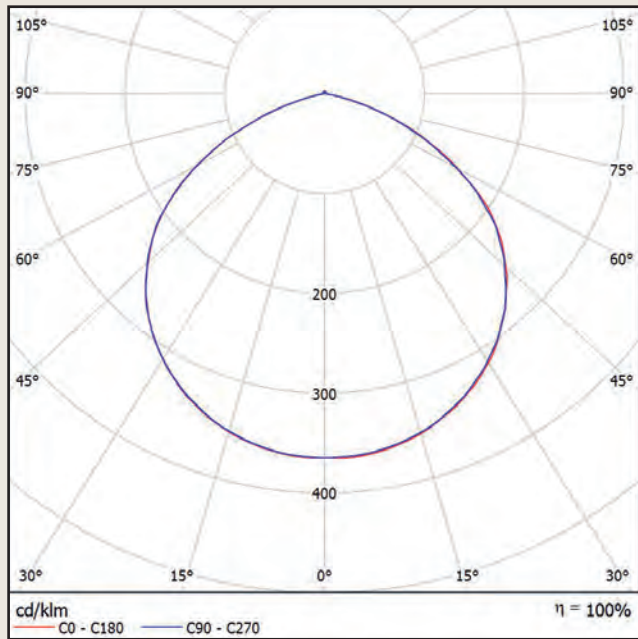


– additional versions upon request / all rights reserved –

LED floodlight with DALI control unit
SPACEJET HT 200 110°

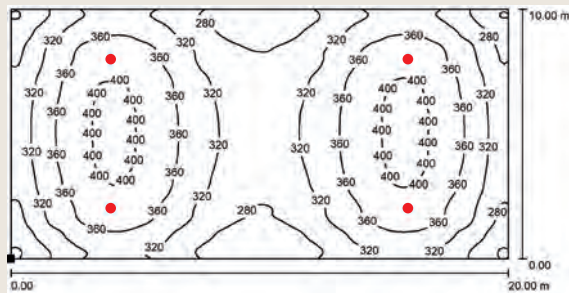


Light emission:

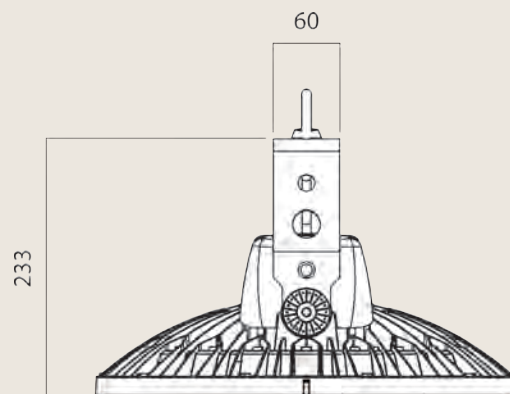
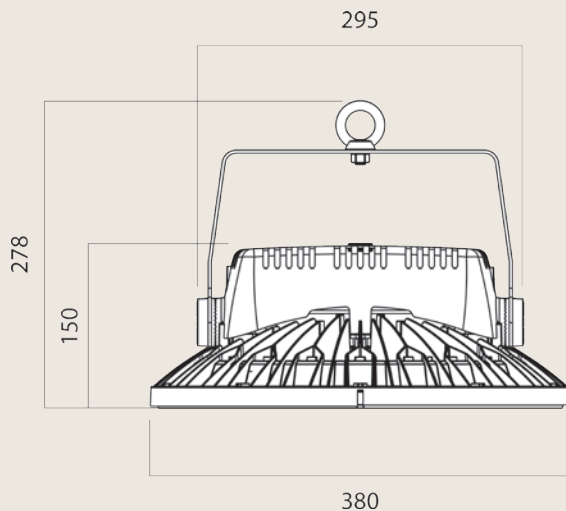


Please note: The lux values shown are average values of the specified area without taking into account the reflection from walls, ceilings and floors. The real values may be higher.

Application example 4 SPACEJET 200 110°:



Room height: 8,00 m
 Mounting height: 8,00 m
 Maintenance factor: 0,80
 Usage level: 0,85 m
 E_m : 335,00 Lux
 g_1 : 0,68



– additional versions upon request / all rights reserved –



CONFIGURATIONS:

Voltage	Power	Luminous flux	Colour temperature	Dimensions (H x Ø)	Weight	Order no.
100 - 240 V AC 50 / 60 Hz	200 W	30.500 153 lm / W	5.000 K	233 x 380 mm (Including bracket)	6,5 kg	ESJDHT200070

SPECIAL FEATURES:

- Highly efficient Samsung LEDs with 160 light points evenly distributed over a large area and a beam angle of 70° create a homogeneous light image → Basis for the even illumination of surfaces
- **LED lifespan L90B10 - 50,000 hours**
- LED driver with overheating and overvoltage protection → Cost savings
- Ambient temperature: **-30°C bis +80°C** → Can also be used with large temperature fluctuations indoors and outdoors
- Protection class: **IP 66** → dustproof and protected against strong water jets
- LED driver is housed in an extra housing on the spot-light housing for easy installation → No negative interactions due to heating
- Die-cast aluminium housing **with special chromate powder coating** → Optimised reduction of dust deposits on the surface
- High number of cooling fins → Excellent heat management - prerequisite for the long service life of the LEDs of up to 50,000 hours - **COST SAVINGS**
- The low weight of only 6,5 kg (aluminium housing) and strong mounting bracket including eye-bolts allows for easy and reliable ceiling or wall mounting An additional safety wires with karabiner hooks are included. → Double protection - double safety
- The connection is made via a flexible cable (80 cm) with stripped ends
- Power factor > 0,9
- Colour rendering index CRI ≥ 80
- Protection class 1
- Shock resistance IK 08
- with DALI control unit

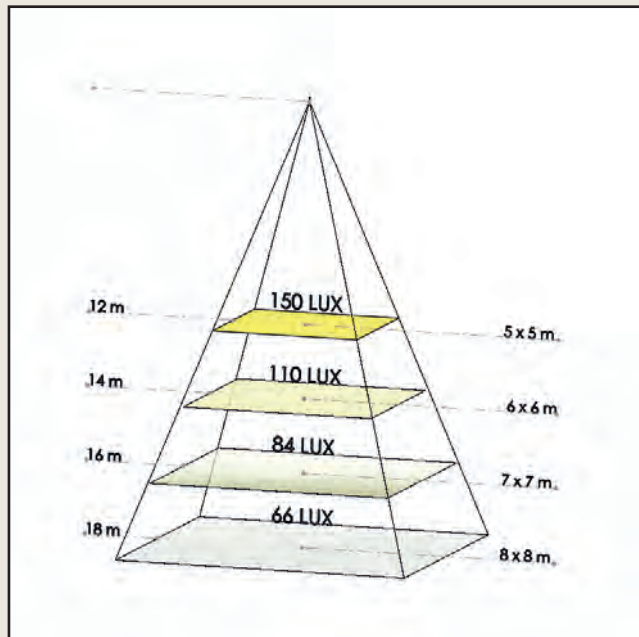
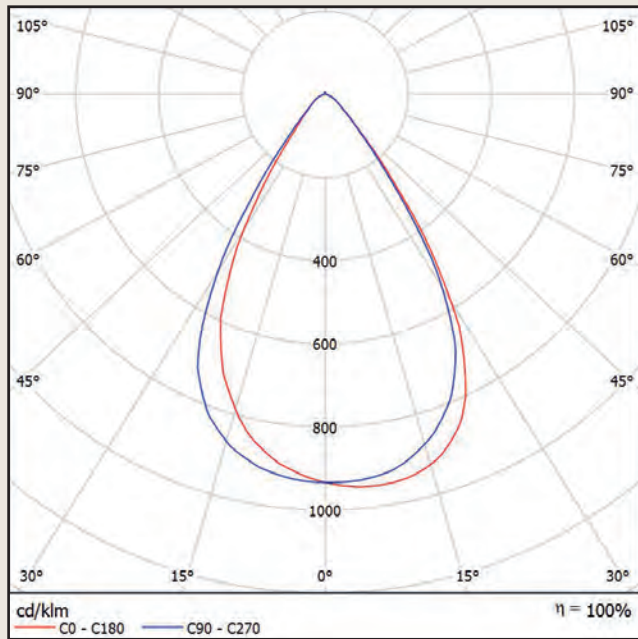


– additional versions upon request / all rights reserved –

LED floodlight with DALI control unit
SPACEJET HT 200 70°

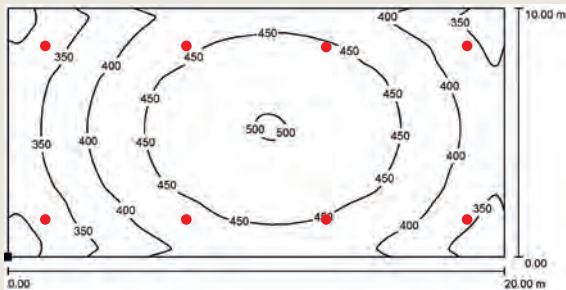


Light emission:

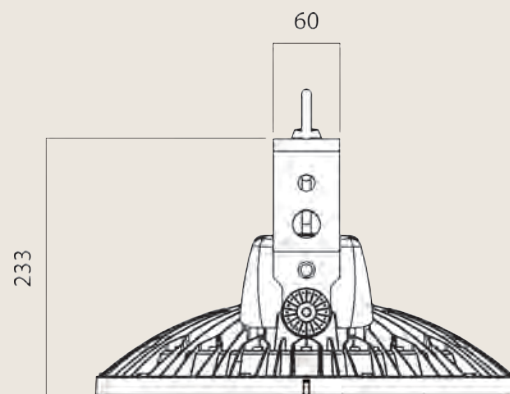
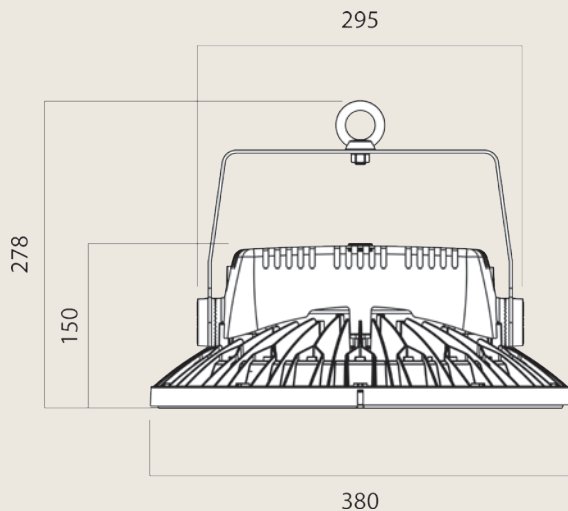


Please note: The lux values shown are average values of the specified area without taking into account the reflection from walls, ceilings and floors. The real values may be higher.

Application example 8 SPACEJET 200 70°:



Room height:	18,00 m
Mounting height:	18,00 m
Maintenance factor:	0,80
Usage level:	0,85 m
E_m :	416,00 Lux
g_1 :	0,65



– additional versions upon request / all rights reserved –



CONFIGURATIONS:

Voltage	Power	Luminous flux	R _a	Dimensions (H x Ø)	Weight	Order no.
100 - 240 V AC 50 / 60 Hz	max. 280 W	42.000 150 lm / W	≥ 80	279,7 x 484,7 mm (inkl. Bügel)	16,7 kg	ESJD280110

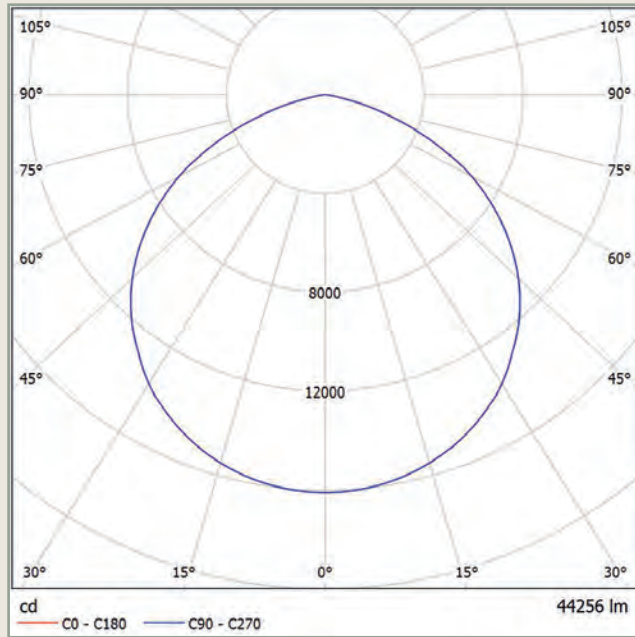
SPECIAL FEATURES:

- High-performance LED modules with 1.024 nodes evenly distributed on a large area and a 110° beam angle produces a homogeneous light pattern → Perfect for providing even illumination of areas
- Colour temperature: 5,000 K → Similar to daylight
- Ambient temperature: **-20 °C to +55 °C** → Can be used indoors and outdoors, even under large temperature fluctuations
- Ingress protection type: **IP66** → Proof against dust entry and protected against for powerful water jets
- Mains adapter and driver are fitted in an extra housing on the floodlight housing for easy mounting → No negative interactions due to heating up
- Diecast aluminium housing with **special paint** → Optimised reduction of dust deposits on the surface
- High number of cooling ribs → Excellent heat management - designed for long LED service life of up to 50,000 hours - COST SAVING
- The low weight of only 16.7 kg (aluminium housing) and strong mounting bracket including eye-bolts allows for easy and reliable ceiling or wall mounting An additional safety wires with karabiner hooks are included → protection - safety
- Connection is by a flexible cable with jacketed ends
- With DALI control unit



– additional versions upon request / all rights reserved –

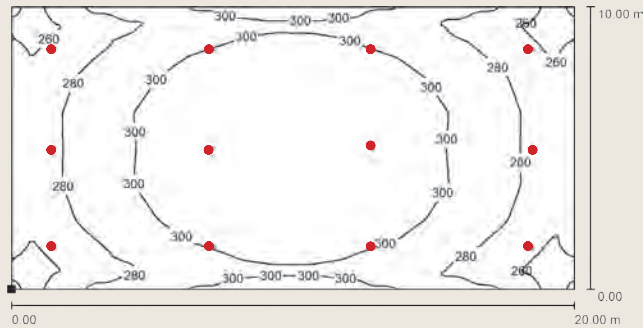
Light emission:



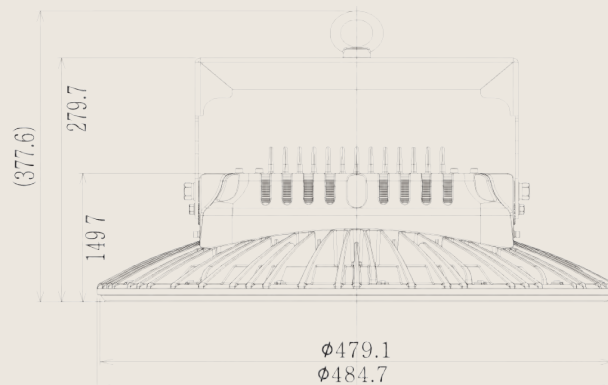
4.0	12.13	E(0°)	1006
		E(C0)	84
8.0	24.27	E(0°)	252
		E(C0)	21
12.0	36.40	E(0°)	112
		E(C0)	9
16.0	48.53	E(0°)	63
		E(C0)	5
20.0	60.66	E(0°)	40
		E(C0)	3
24.0	72.80	E(0°)	28
		E(C0)	2
28.0	84.93	E(0°)	21
		E(C0)	2

Abstand [m] Kegeldurchmesser [m] Beleuchtungsstärke [lx]
 — C0 - C180 (Halbstrahlwinkel: 113.2°)

Application example 12 SPACEJET 280 110°:



Room height: 28,00 m
 Mounting height: 28,00 m
 Maintenance factor: 0,80
 Usage level: 0,85 m
 E_m : 293,00 Lux
 g_1 : 0,85



– additional versions upon request / all rights reserved –



CONFIGURATIONS:

Voltage	Power	Luminous flux	R _a	Dimensions (H x Ø)	Weight	Order no.
100 - 240 V AC 50 / 60 Hz	max. 300 W	36.000 120 lm / W	≥ 80	279,7 x 484,7 mm (inkl. Bügel)	16,7 kg	ESJD300060

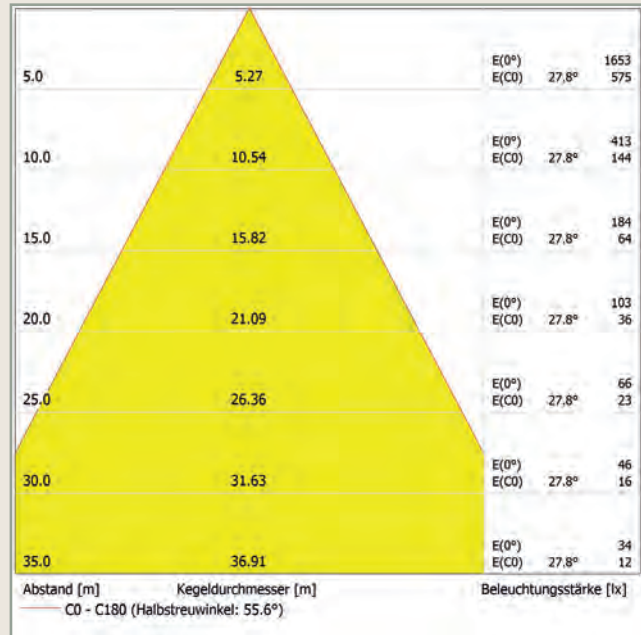
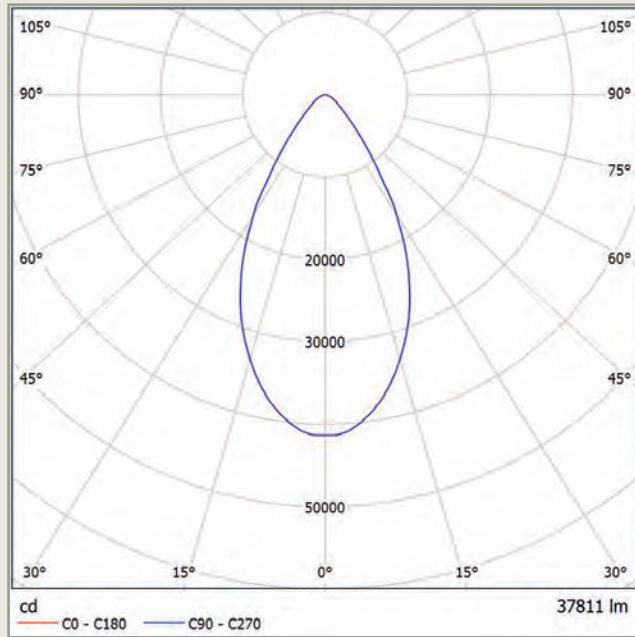
SPECIAL FEATURES:

- High-performance LED modules with 128 nodes evenly distributed on a large area and a 60° beam angle produces a homogeneous light pattern
- Colour temperature: 5,000 K
- Ambient temperature: **-20 °C to +55 °C**
- Ingress protection type: **IP66**
- Mains adapter and driver are fitted in an extra housing on the floodlight housing for easy mounting
- Diecast aluminium housing with **special paint**
- High number of cooling ribs
- The low weight of only 16.7 kg (aluminium housing) and strong mounting bracket including eye-bolts allows for easy and reliable ceiling or wall mounting. An additional safety wires with karabiner hooks are included
- Connection is by a flexible cable with jacketed ends
- With DALI control unit
- Perfect for providing even illumination of areas
- Similar to daylight
- Can be used indoors and outdoors, even under large temperature fluctuations
- Proof against dust entry and protected against for powerful water jets
- No negative interactions due to heating up
- Optimised reduction of dust deposits on the surface
- Excellent heat management - designed for long LED service life of up to 50,000 hours - COST SAVING
- protection - safety

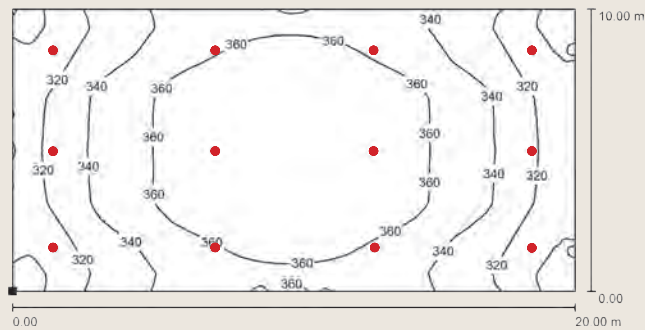


– additional versions upon request / all rights reserved –

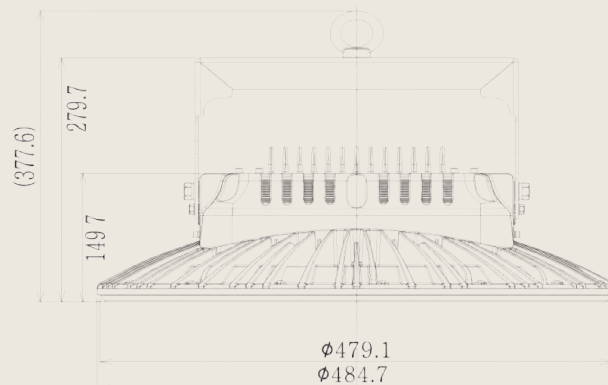
Light emission:



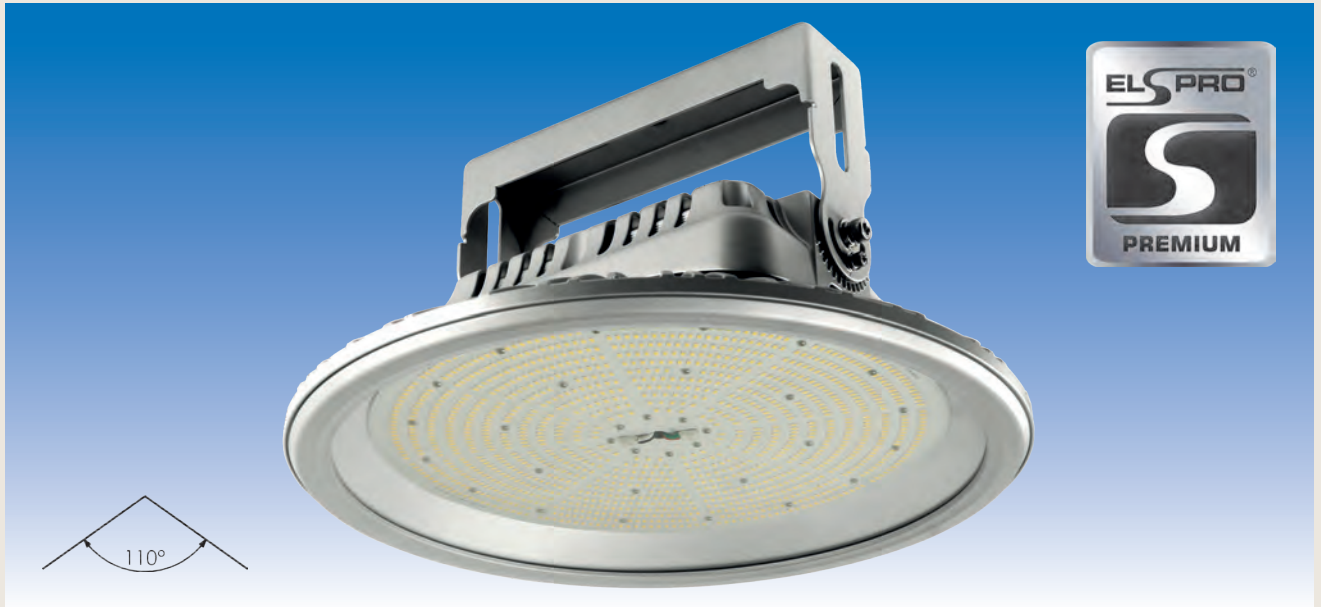
Application example 12 SPACEJET 300 60°:



Room height: 35,00 m
 Mounting height: 35,00 m
 Maintenance factor: 0,80
 Usage level: 0,85 m
 E_m : 346,00 Lux
 g_1 : 0,83



– additional versions upon request / all rights reserved –



CONFIGURATIONS:

Voltage	Power	Luminous flux	R _a	Dimensions (H x Ø)	Weight	Order no.
100 - 240 V AC 50 / 60 Hz	max. 360 W	54.000 150 lm / W	≥ 80	279,7 x 484,7 mm (inkl. Bügel)	16,7 kg	ESJD360110

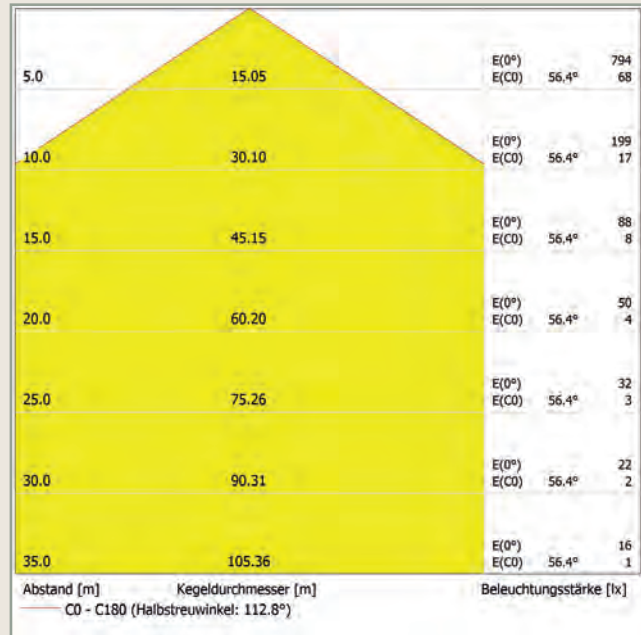
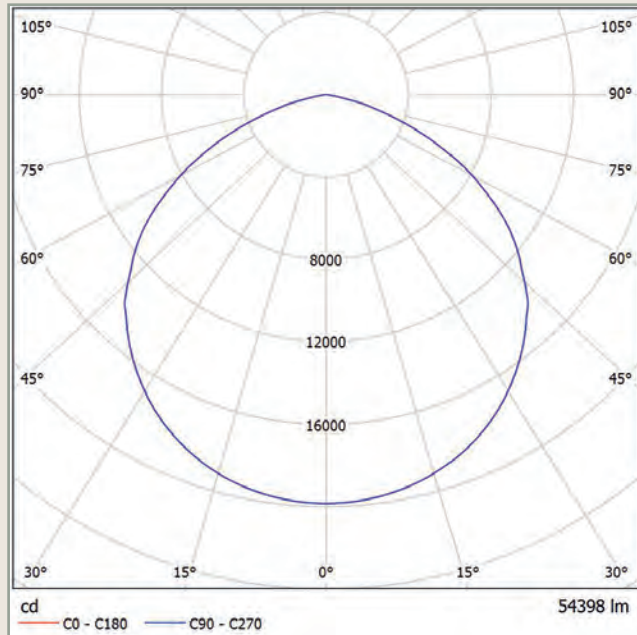
SPECIAL FEATURES:

- High-performance LED modules with 1.280 nodes evenly distributed on a large area and a 110° beam angle produces a homogeneous light pattern → Perfect for providing even illumination of areas
- Colour temperature: 5,000 K → Similar to daylight
- Ambient temperature: **-20 °C to +55 °C** → Can be used indoors and outdoors, even under large temperature fluctuations
- Ingress protection type: **IP66** → Proof against dust entry and protected against for powerful water jets
- Mains adapter and driver are fitted in an extra housing on the floodlight housing for easy mounting → No negative interactions due to heating up
- Diecast aluminium housing with **special paint** → Optimised reduction of dust deposits on the surface
- High number of cooling ribs → Excellent heat management - designed for long LED service life of up to 50,000 hours - COST SAVING
- The low weight of only 16.7 kg (aluminium housing) and strong mounting bracket including eye-bolts allows for easy and reliable ceiling or wall mounting An additional safety wires with karabiner hooks are included → protection - safety
- Connection is by a flexible cable with jacketed ends
- With DALI control unit

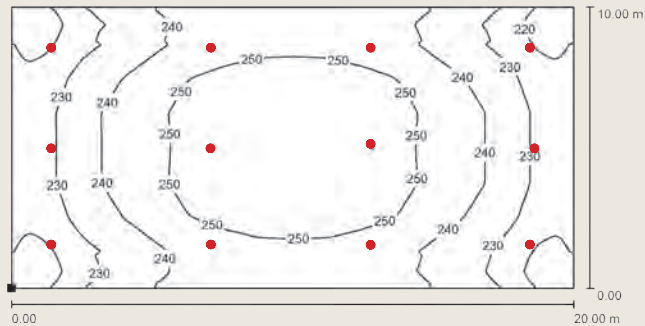


– additional versions upon request / all rights reserved –

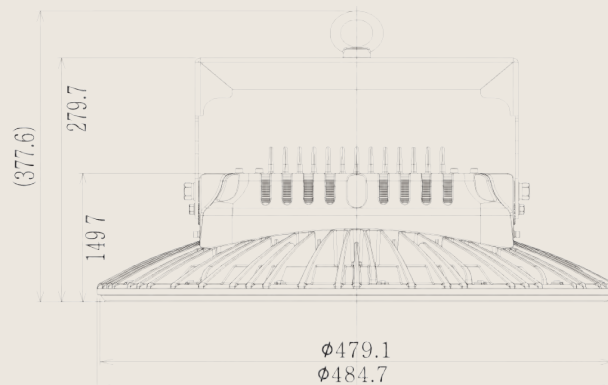
Light emission:



Application example 12 SPACEJET 360 110°:



Room height: 35,00 m
 Mounting height: 35,00 m
 Maintenance factor: 0,80
 Usage level: 0,85 m
 E_m : 241,00 Lux
 g_1 : 0,87



– additional versions upon request / all rights reserved –



CONFIGURATIONS:

Voltage	Power	Luminous flux	R _a	Dimensions (H x Ø)	Weight	Order no.
100 - 240 V AC 50 / 60 Hz	max. 380 W	49.400 130 lm / W	≥ 80	279,7 x 484,7 mm (inkl. Bügel)	16,7 kg	ESJ2D380060

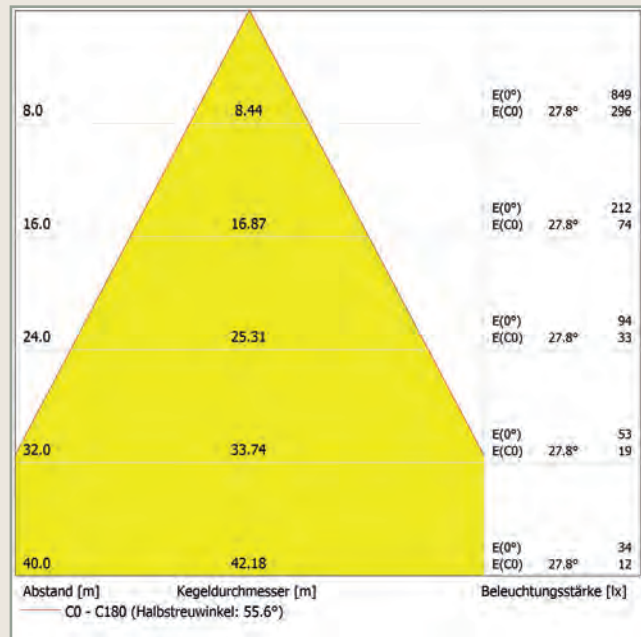
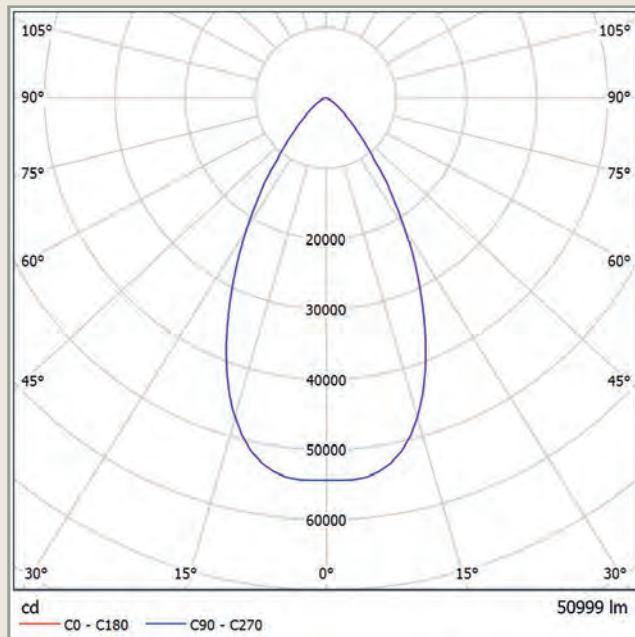
SPECIAL FEATURES:

- High-performance LED modules with 160 nodes evenly distributed on a large area and a 60° beam angle produces a homogeneous light pattern
 - Colour temperature: 5,000 K
 - Ambient temperature: **-20 °C to +55 °C**
 - Ingress protection type: **IP66**
 - Mains adapter and driver are fitted in an extra housing on the floodlight housing for easy mounting
 - Diecast aluminium housing with **special paint**
 - High number of cooling ribs
 - The low weight of only 16.7 kg (aluminium housing) and strong mounting bracket including eye-bolts allows for easy and reliable ceiling or wall mounting. An additional safety wires with karabiner hooks are included
 - Connection is by a flexible cable with jacketed ends
 - With DALI control unit
- Perfect for providing even illumination of areas
 - Similar to daylight
 - Can be used indoors and outdoors, even under large temperature fluctuations
 - Proof against dust entry and protected against for powerful water jets
 - No negative interactions due to heating up
 - Optimised reduction of dust deposits on the surface
 - Excellent heat management - designed for long LED service life of up to 50,000 hours - **COST SAVING**
 - protection - safety

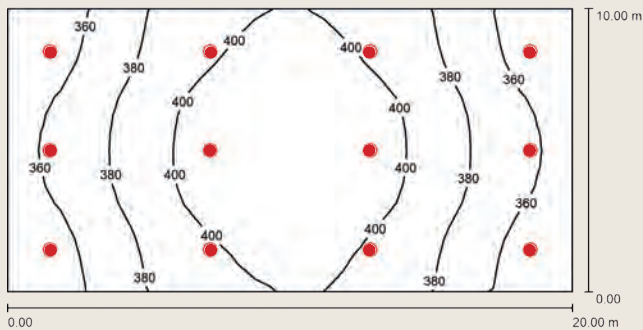


– additional versions upon request / all rights reserved –

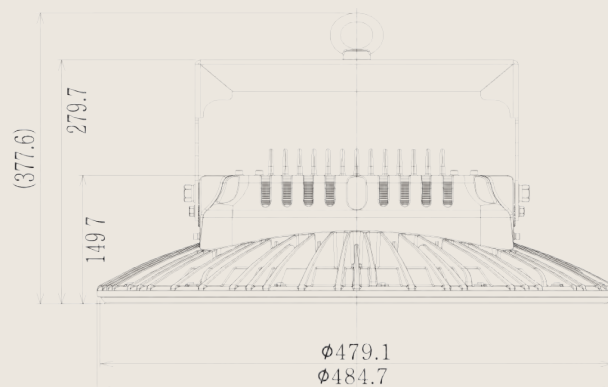
Light emission:



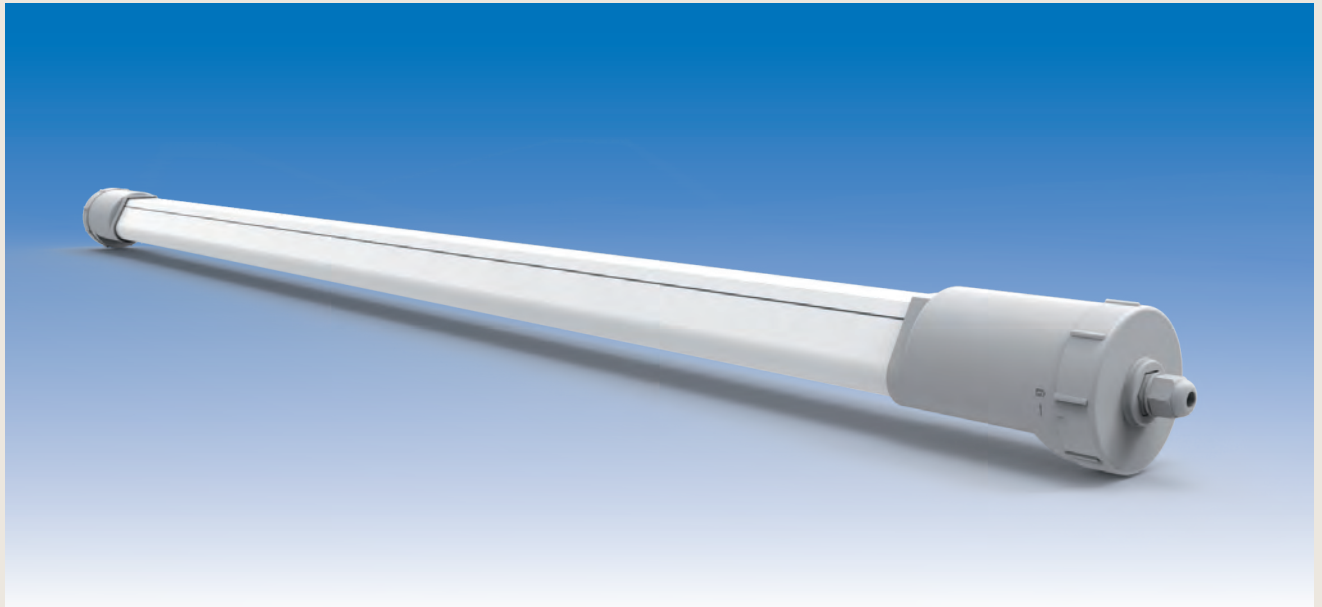
Application example 12 SPACEJET 380 60°:



Room height: 40,00 m
 Mounting height: 40,00 m
 Maintenance factor: 0,80
 Usage level: 0,85 m
 E_m : 383,00 Lux
 g_1 : 0,89



– additional versions upon request / all rights reserved –



MODELS:

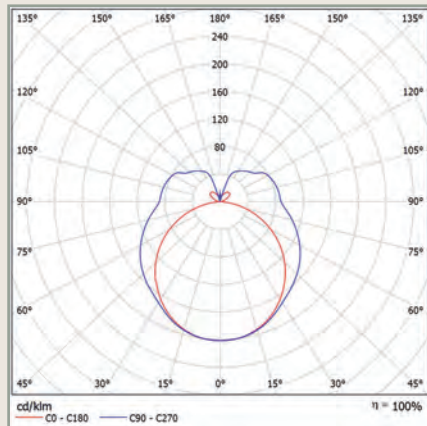
Voltage	Output	Number of poles	Cable gland	Luminous Flux	R _a	Beam Angle	Length	Weight	Order Number
220 - 240 V AC	30 W	2 pole	M16	4,000 lm	> 80	110°/158°	1,200 mm	1,0 kg	KLF28
		3 pole	M20			110°/140°		1,2 kg	KLF30/3P1200
	45 W	2 pole	M16	6,000 lm		110°/158°	1,600 mm	1,4 kg	KLF48
		3 pole	M20			110°/140°		1,5 kg	KLF45/3P
	66 W	2 pole	M16	9,000 lm		110°/127°	1,600 mm	1,6 kg	KLF66
		3 pole	M20					1,6 kg	KLF66/3P

SPECIAL FEATURES:

- up to 133 lm/W or 136 lm/W
 - colour temperature: 4,000 K
 - life-time L90B10 (up to 50,000 hours)
 - protection class: IP66
 - housing made of polycarbonate
 - ambient temperature: -30°C bis +40°C
 - including mounting clips with easy-click fixation made from stainless steel
 - optional mounting clips with safety screws (Order No.: KLF/MKS)
 - 2 pole through-wiring with connection terminal up to 1,5 mm² or 3 pole through-wiring with connection terminal up to 2,5 mm²
 - suitable to be used in companies of the food and beverages sector that are certified according to IFS version 6 and/or BRC Global Standard Food Version 7
- high efficiency
 - similar to daylight
 - designated long-life cycle
 - dustproof and water-jet-proof
 - IK10, impact-resistant
 - also suited for use when temperatures greatly fluctuate in both indoor and outdoor areas
 - convenient installation
 - anti-vandalism
 - number of linking luminaires per circuit depending on model (permanently installed)
 - 30 W: up to 33 luminaires
 - 45 W: up to 24 luminaires
 - 66 W: up to 21 luminaires

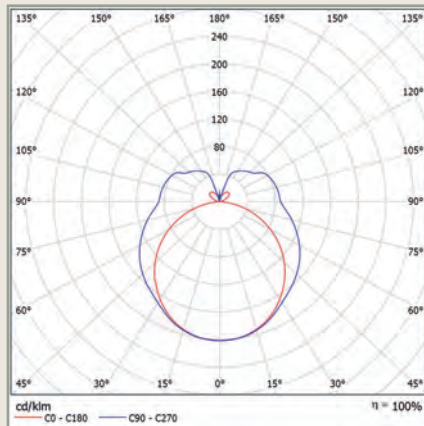
- other models on request / subject to modification and errors -

LIGHT EMISSION KLF28:



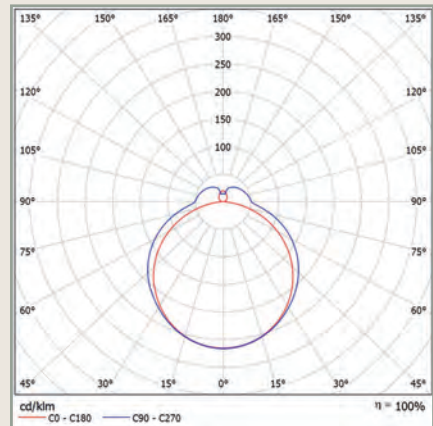
Horizontal: 110° / Vertical: 158°

LIGHT EMISSION KLF48:



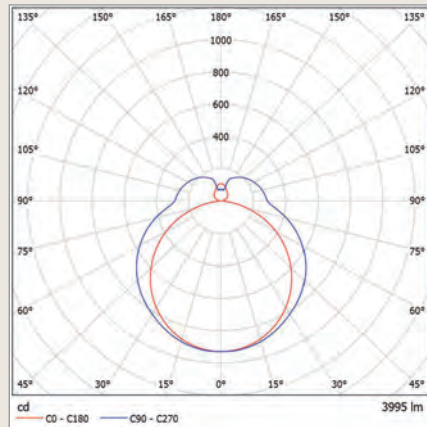
Horizontal: 110° / Vertical: 158°

LIGHT EMISSION KLF66:



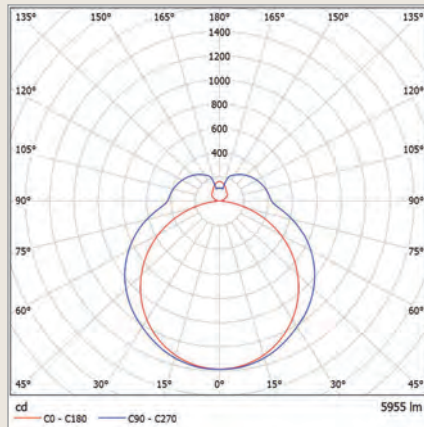
Horizontal: 110° / Vertical: 127°

LIGHT EMISSION KLF30/3P:



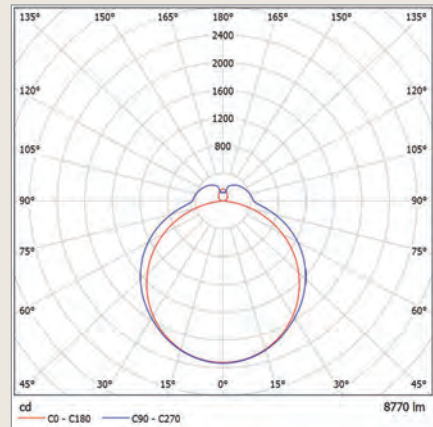
Horizontal: 110° / Vertical: 140°

LIGHT EMISSION KLF45/3P:

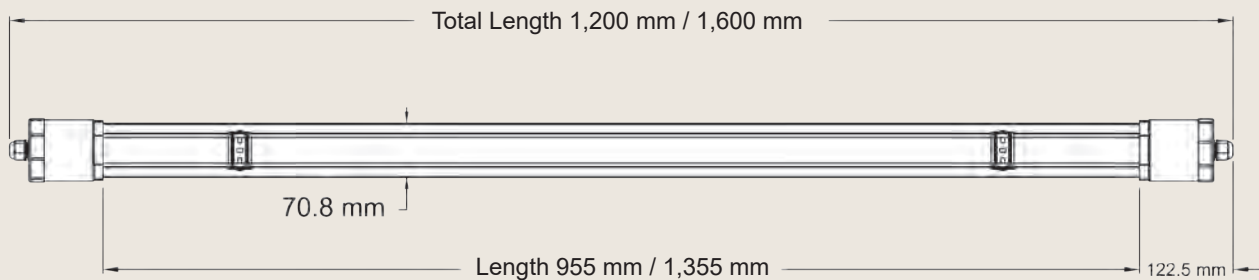


Horizontal: 110° / Vertical: 140°

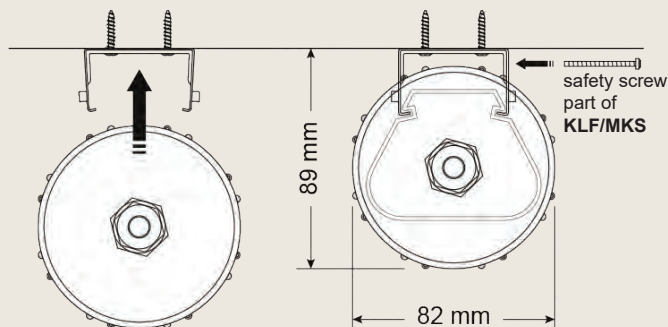
LIGHT EMISSION KLF66/3P:



Horizontal: 110° / Vertical: 127°



MOUNTING OPTIONS:



ACCESSORIES:

Order No.

2 pieces mounting clips with safety screw

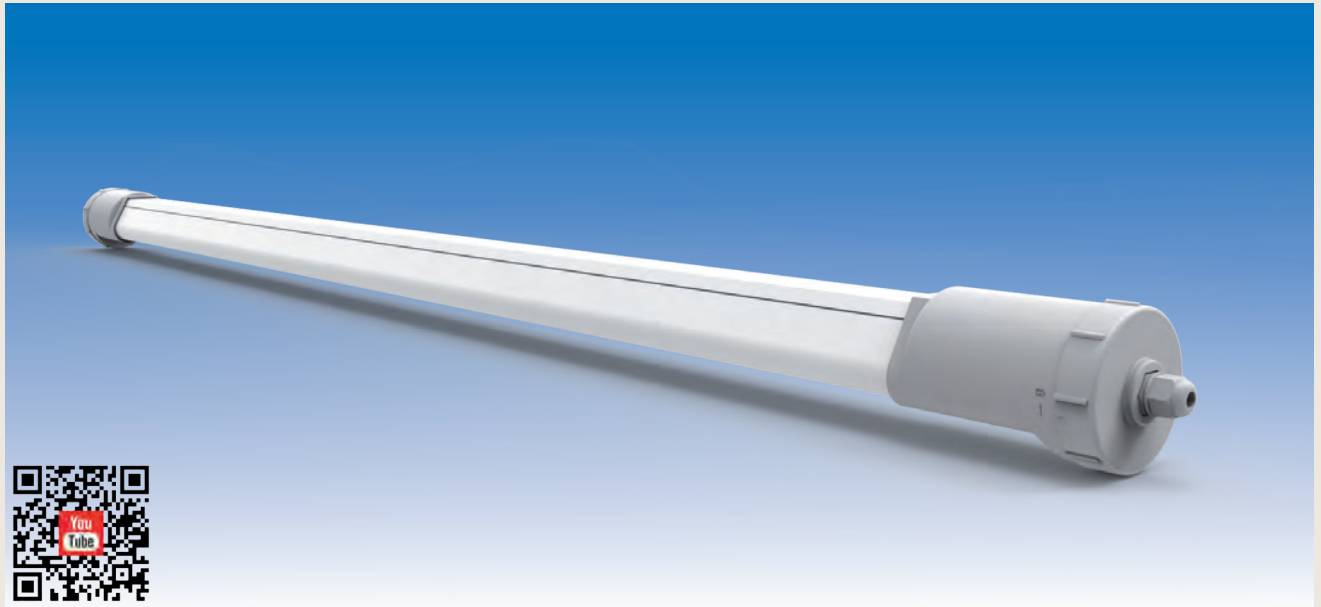
KLF/MKS

2 pieces end-caps with cable gland M16 (cable diameter 5 - 10 mm)
or
cable gland M20 (cable diameter 6 - 12 mm)

KLF/KAPSETM16

KLF/KAPSETM20

- other models on request / subject to modification and errors -



MODELS:

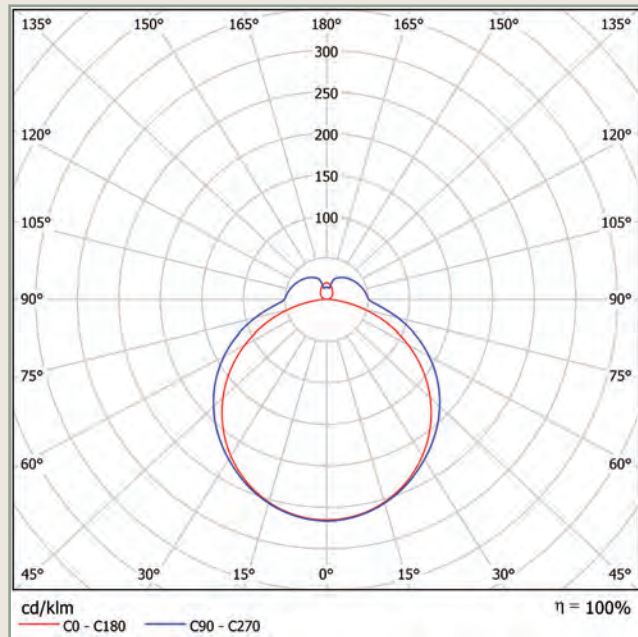
Voltage	Power	Number of poles	Screw connection	Luminous flux	R _a	Beam angle	Length	Weight	Order no.
220 - 240 V AC	45 W	3 pole	M20	5,600 lm	> 80	110°/127°	1,200 mm	1.5 kg	KLF45/3P/DIM

CONFIGURATIONS:

- up to 125 lm/W → high light output
- Colour temperature: 4,000 K → similar to daylight
- Service life L90B10 (up to 50,000 hours) → proven longevity
- Protection class: IP66 → dustproof and resistant to powerful jets of water
- Polycarbonate housing → IK10, mechanical resistance (protection against impacts up to 20 joules)
- Ambient temperature: -20°C to +40°C → Can also be used with large temperature fluctuations indoors and outdoors
- Including mounting clamps with stainless steel snap lock → simple attachment
- Mounting brackets including locking screws available as accessories (item no.: KLF/MKS) → Protection against vandalism
- 3-pole through-wiring with a connection terminal up to 2.5 mm² → up to 7 lights can be connected per circuit (permanently installed)
- including remote control for programming the motion and daylight sensors → Factory presets:
100% sensitivity of the motion sensor,
100% light intensity for a period of 5 seconds,
then 25% light intensity for an unlimited period,
inactive daylight sensor
- Variable programming possible via the remote control → Motion sensor sensitivity: 25 / 50 / 75 / 100%
→ Duration of 100% light intensity after the movement ends:
5 sec. / 30 sec. / 3 min. / 30 min.
→ Duration of 25% light intensity until switching off:
0 sec. / 1 min. / 10 min. / + ∞ (unlimited duration)
→ Daylight sensor: 5 lx / 30 lx / 150 lx / deactivated
- Suitable for use in food and beverage companies certified to IFS version 6 and/or BRC Global Standard Food version 7

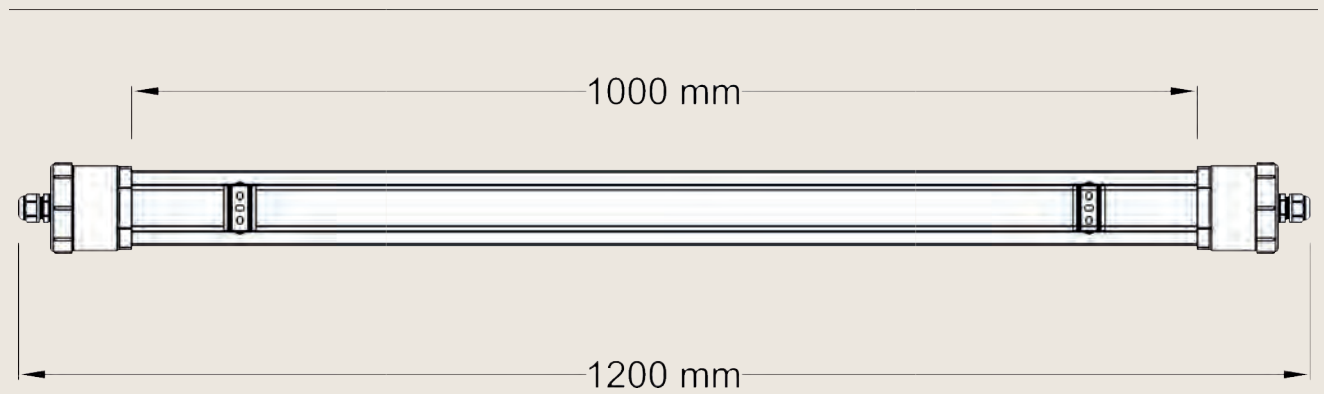
- other models on request / subject to modification and errors -

LIGHT OUTPUT KLF45/3P/DIM:

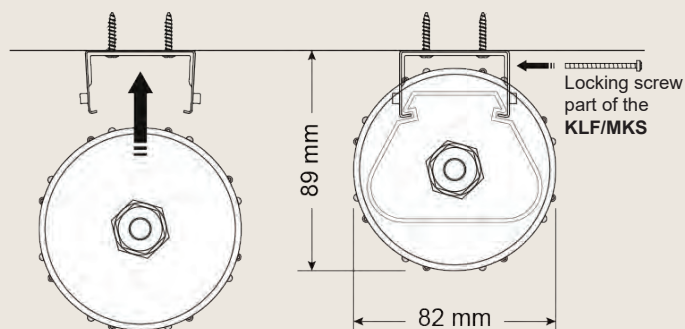


Horizontal: 110° / Vertical: 127°

DIMENSIONS:



MOUNTING OPTIONS:



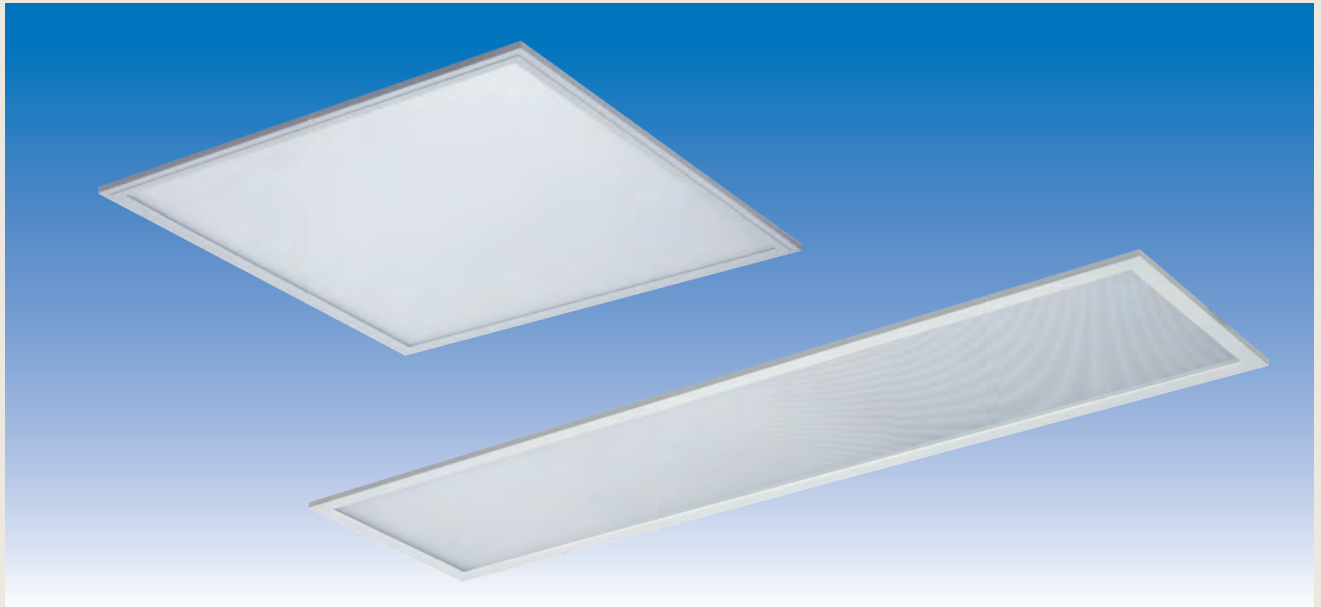
ACCESSORIES:

Order no.

2 mounting clamps with locking screw **KLF/MKS**

2 end caps with M20 cable gland for a cable cross-section of 2.5mm² **KLF/KAPSETM20**

– other models on request / subject to modification and errors –



CONFIGURATIONS:

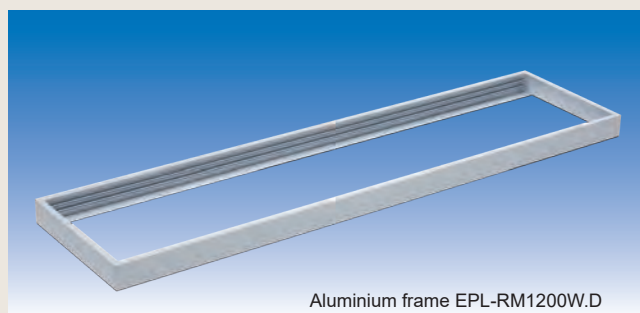
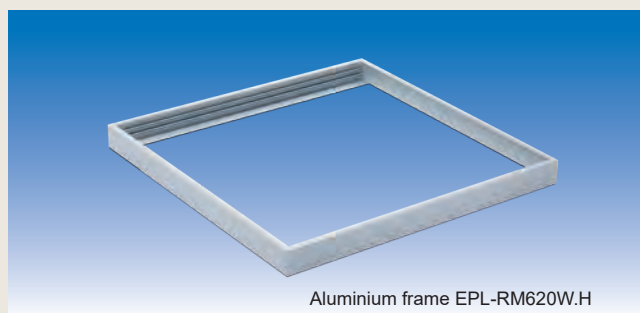
Voltage	Power	Luminous flux	UGR	Beam angle	Dimensions (L x W x H)	Weight	Order no.
220 - 240 V AC	24 W	4.000 lm	< 18	120°	620 x 620 x 33 mm	2,0 kg	EPL620X620
							EPL620X620DIM
							EPL620X620DALI
					1.200 x 300 x 33 mm	2,0 kg	EPL1200X300
							EPL1200X300DIM
							EPL1200X300DALI

With our LED panels you can illuminate your rooms efficiently and sustainably. This allows you to reduce energy and maintenance costs and create a productive working environment.

SPECIAL FEATURES:

- 96 Backlit-LEDs → even light diffusion and uniform light pattern thanks to Backlit-Technology
- luminous flux of 4,000 lm with 24 W powerconsumption → luminous efficacy 167 lm / W
- colour temperature: 4,000 K - neutral white → ideal as workplace lighting
- also available with dimmable power supply unit or driver with DALI standard → individual brightness adjustment
- highly low glare value of UGR < 18 → Suitable for VDU workstations
- beam angle 120° → excellent general lighting
- **power customisable via DIP switch** → individual adjustment of brightness
- standardised dimensions → ideal for use in suspended ceilings
- Power factor > 0.9 → low power loss
- CRI ≥ 80 → high colourrendering index
- ambient temperature -20°C to +40°C
- LED panel with white aluminium frame
- impact-resistant diffuser disc made of polypropylene with special honeycomb structure → optimum lightdistribution

– other models on request / subject to modification and errors –



Accessories and spare parts

Order no.

Power supply unit 2-pin / 230 V / with supply cable LED driver (constant current) 650 - 950 mA dimmable, DIP ON-OFF Output 24 - 34 W

EPL-NT.D

Power supply unit 2-pin / 230 V / with supply cable LED driver (constant current) 950 mA dimmable 1-10 V Output 34 Watt

EPL-NTD.D

Power supply unit 2-pin / 230 V / with supply cable LED driver (constant current) 900 mA dimmable with DALI-2-Standard Output 34 Watt

EPL-NTDA.D

Aluminium frame for surface mounting for EPL620X620 Housing material Aluminium white Dimensions (L x W x H) 620 x 620 x 63 mm

EPL-RM620W.H

Aluminium frame for surface mounting for EPL1200X300 Housing material Aluminium white Dimensions (L x W x H) 1.200 x 335 x 67 mm

EPL-RM1200W.D

LED panel mounting clips x4

EPL-4XBFC

LED panel hanging kit system 4 x 1 m steel cable 4 x mounting accessories for the ceiling

EPL-4XAHS

– other models on request / subject to modification and errors –



MODELS:

Voltage	Power	Luminous flux	T _a max	Dimensions	Weight	Order no.
230 V AC	8 W	1,088 lm	≤+40°C	670 155 283 x 105 mm	1.4 kg	EXTRA-055186
	16 W	2,175 lm			EXTRA-055187	
	33 W	4,305 lm			1.5 kg	EXTRA-055188
	17 W	2,224 lm	≤+45°C*	1,280 155 283 x 105 mm	2.3 kg	EXTRA-055183
	33 W	4,449 lm	≤+40°C*		2.5 kg	EXTRA-055182
	66 W	8,611 lm	≤+40°C		2.7 kg	EXTRA-055184
	25 W	3,337 lm	≤+45°C*	1,580 155 283 x 105 mm	2.9 kg	EXTRA-055181
	50 W	6,675 lm			2.8 kg	EXTRA-055180
	80 W	10,777 lm	≤+40°C	1,580 155 283 x 105 mm	3.2 kg	EXTRA-055185
	94 W	13,730 lm				EXTRA-055228-NSP
	115 W	16,311 lm				EXTRA-055240-NSP

* Optionally available as model with stainless steel clips and ambient temperature ≤+50°C - Models with emergency power or dimming function on request -

SPECIAL FEATURES:

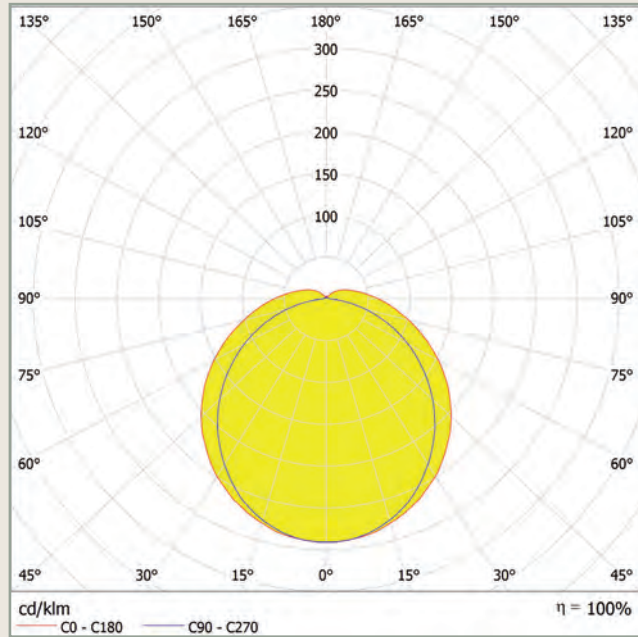
- High-power LED with up to 136 lm/W.
- Light colour 4,000 K.
- CRI +80
- Power factor 0.98
- Lifetime L80B10 TA30 - up to 70,000 hours
- Polycarbonate housing and cover
- Direct mounting via two mounting brackets (included) or alternatively two wall mounting brackets, suspension via chain or cable suspension or mounting for outriggers
- Cable gland M20
- Protection class I.
- IP 66
- Ambient temperature: -25°C ≤ T_a ≤ see table
- Optionally with single-phase or three-phase through-wiring
- High light output
- Neutral white (2,700 K - 6,500 K on request)
- High colour rendering index
- Proven longevity
- IK10, resistant to mechanical stress (protection against impacts with an impact energy of up to 20 joules)
- Easy installation on the ceiling or wall of the room to be illuminated
- Line diameter of 7-12 mm
- Dust and splash protection
- Use at elevated ambient temperatures and large temperature fluctuations

– Further models on request / subject to change and error –

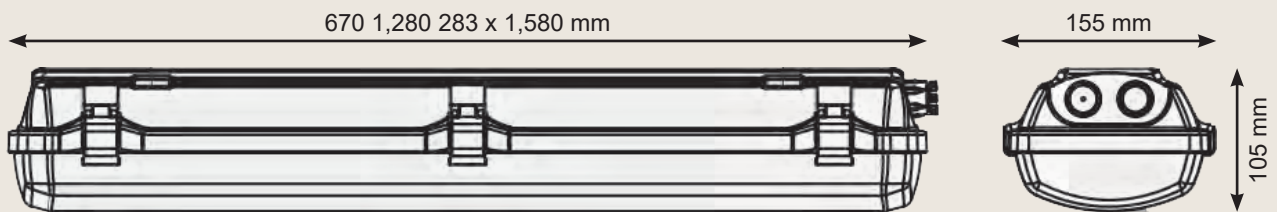
LED Trough Light EXTRA-LED



LIGHT EMISSION:



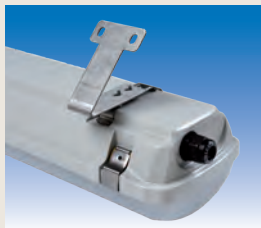
DIMENSIONS:



ACCESSORIES:



Wire hanger set (2 pcs) for chain suspension (without chain)
EXV005/SET



Set of 45° metal brackets for wall mounting (2 pcs.)
EXV006



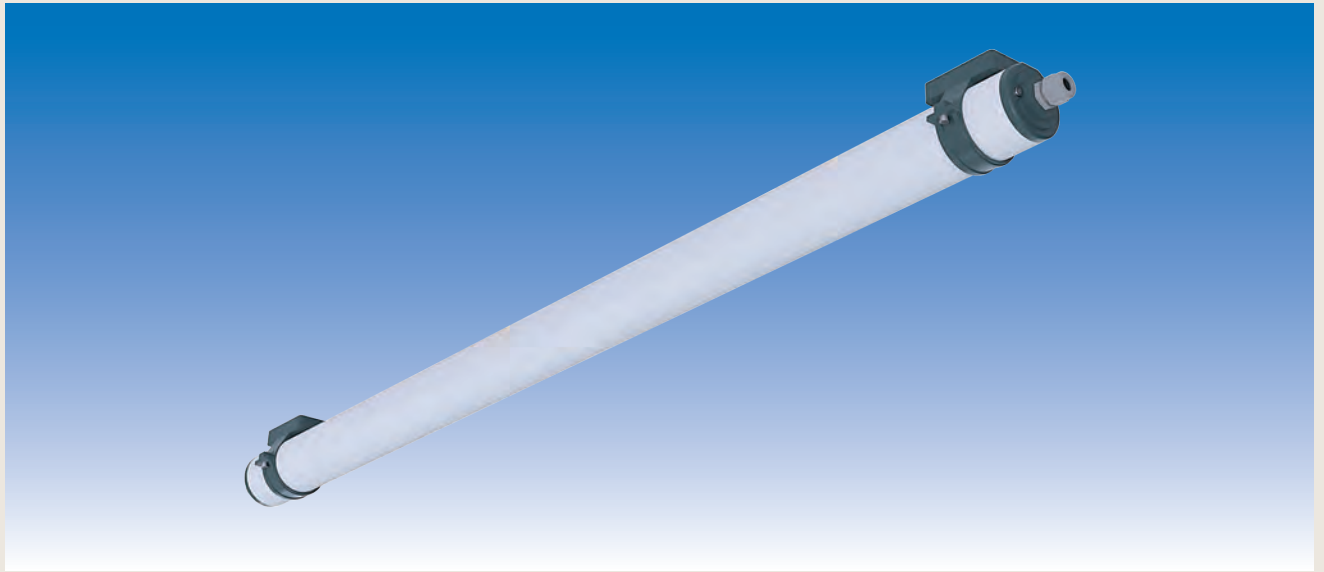
Self-locking cable suspension (2 pcs. à 3 m)
EXV007



Clamp set (2 pcs.) for mounting on a boom with Ø 50 mm
EXV008/SET

– Further models on request / subject to change and error –

LED Surface Light AQUA-70-LED



MODELS:

Voltage	Power	Luminous flux	T _a max	Dimensions	Weight	Order no.
230 V AC	17 W	1,903 lm	≤+50°C	780 x Ø 70 mm	1.6 kg	AQUA-084130
	35 W	3,806 lm	≤+40°C	1,270 x Ø 70 mm	2.4 kg	AQUA-084131
	52 W	5,709 lm		1,740 x Ø 70 mm	3.1 kg	AQUA-084132

- Models with emergency power or dimming function on request -

SPECIAL FEATURES:

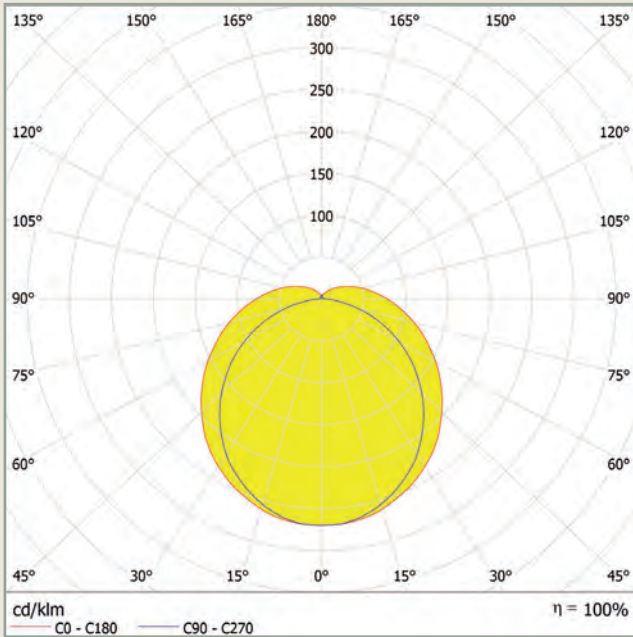
- High-power LED with up to 112 lm/W.
- Light colour 4,000 K.
- CRI +80
- Power factor 0.98
- Lifetime L80B10 TA30 - up to 70,000 hours
- Polycarbonate tube with 4 mm wall thickness
- Direct mounting using mounting clamps (not included) or suspension
- Cable gland M20
- Protection class I.
- IP 69
- Ambient temperature: -20°C ≤ T_a ≤ see table
- Optionally with single-phase or three-phase through-wiring
- High light output
- Neutral white (2,700 - 6,500 K on request)
- High colour rendering index
- Proven longevity
- IK10, resistant to mechanical stress (protection against impacts with an impact energy of up to 20 joules)
- Easy installation on the ceiling or wall of the room to be illuminated
- Line diameter of 6-13 mm
- Dust and waterproof
- Use at elevated ambient temperatures and large temperature fluctuations

- Further models on request / subject to change and error -

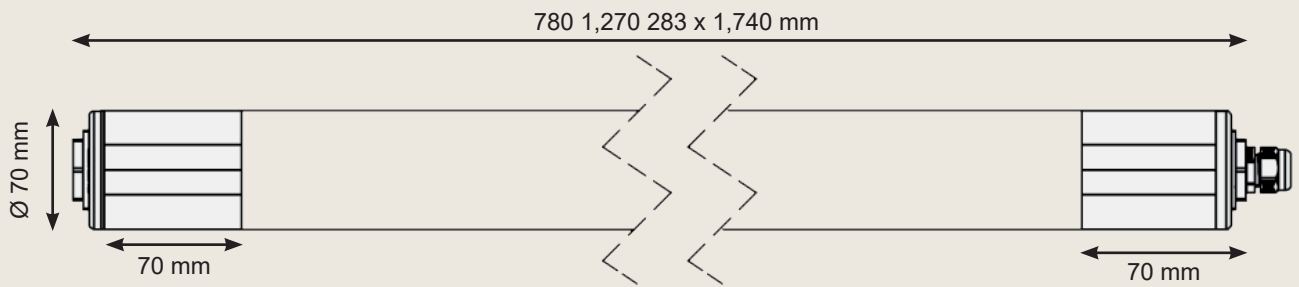
LED Surface Light AQUA-70-LED



LIGHT EMISSION:



DIMENSIONS:



ACCESSORIES:



Mounting clamps
stainless steel (2 pcs.)

EXV009/SET



Mounting clamps
plastic dark grey
(2 pcs.)

EXV010/SET

– Further models on request / subject to change and error –

LED Trough Light EXTRA-LED-PLUS/FROST



MODELS:

Voltage	Power	Luminous flux	T _a max	Dimensions	Weight	Order no.
230 V AC	28 W	4,347 lm	≤+70°C	1,280 155 283 x 105 mm	7.1 kg	EXTRA-PLUS/FROST-28
	56 W	8,694 lm	≤+60°C		7.0 kg	EXTRA-PLUS/FROST-56
	26 W	4,221 lm	≤+70°C	1,580 155 283 x 105 mm	8.1 kg	EXTRA-PLUS/FROST-26
	43 W	6,776 lm	≤+65°C			EXTRA-PLUS/FROST-43
	69 W	10,911 lm	≤+60°C		8.3 kg	EXTRA-PLUS/FROST-69

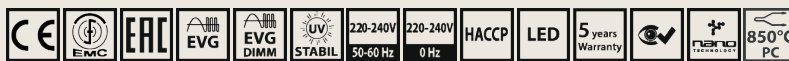
- Models with dimming function on request -

SPECIAL FEATURES:

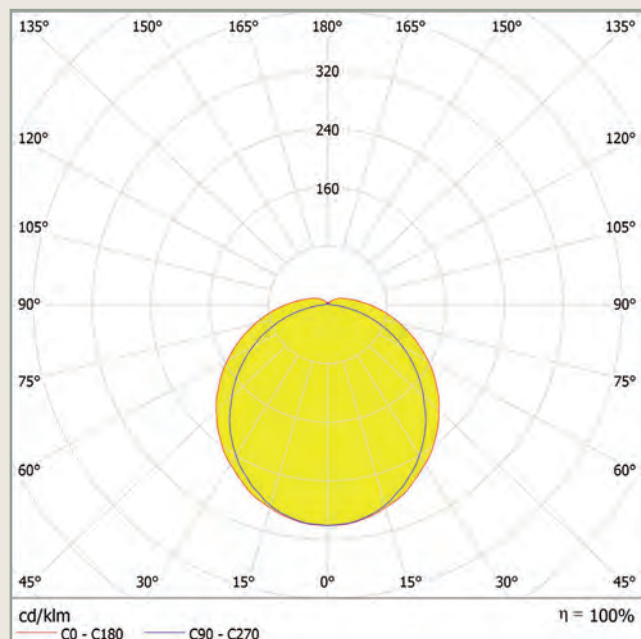
- High-power LED with up to 162 lm/W.
 - Light colour 4,000 K.
 - CRI +80
 - Power factor 0.98
 - Lifetime L80B10 TA30 - up to 70,000 hours
 - Polycarbonate housing and cover
 - Direct mounting via two mounting brackets (included) or alternatively two wall mounting brackets, suspension via chain or cable suspension or mounting for outriggers
 - Cable gland M20
 - Protection class I.
 - IP 66
 - Ambient temperature: $-40^{\circ}\text{C} \leq T_a \leq$ see table
 - Optionally with single-phase or three-phase through-wiring
- High light output
 - Neutral white (2,700 K - 6,500 K on request)
 - High colour rendering index
 - Proven longevity
 - Resistant to mechanical stress
 - Easy installation on the ceiling or wall of the room to be illuminated
 - Line diameter of 7-12 mm
 - Dust and splash protection
 - Use at elevated ambient temperatures and large temperature fluctuations

- Further models on request / subject to change and error -

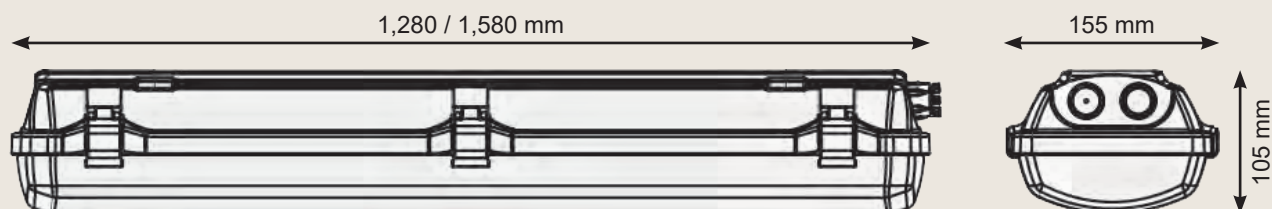
LED Trough Light EXTRA-LED-PLUS/FROST



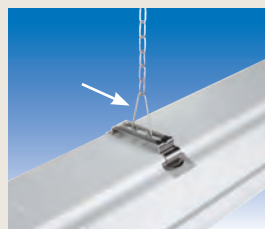
LIGHT EMISSION:



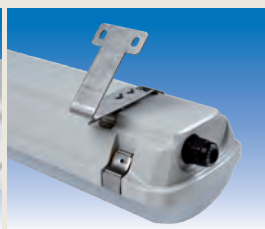
DIMENSIONS:



ACCESSORIES:



Wire hanger set (2 pcs)
for chain suspension
(without chain)
EXV005/SET



Set of 45° metal
brackets for wall
mounting (2 pcs.)
EXV006



Self-locking cable
suspension
(2 pcs. à 3 m)
EXV007



Clamp set (2 pcs.)
for mounting on a
boom with Ø 50 mm
EXV008/SET

– Further models on request / subject to change and error –

LED Surface Light BOXER-LED



MODELS:

Voltage	Power	Luminous flux	T _a max	Dimensions	Weight	Order no.
230 V AC	8 W	1,123 lm	≤+55°C	421 184 283 x 56 mm	2.8 kg	BOXER-053495
	11 W	1,413 lm				BOXER-053489
	18 W	2,393 lm	≤+60°C	701 184 283 x 56 mm	4.7 kg	BOXER-053494
	22 W	2,826 lm				BOXER-053491
	36 W	4,786 lm	≤+55°C	1,257 184 283 x 56 mm	7.0 kg	BOXER-053497
	41 W	5,368 lm				BOXER-053487
	48 W	6,350 lm	≤+45°C	1,519 184 283 x 56 mm	9.0 kg	BOXER-053499
	51 W	6,710 lm				BOXER-053485

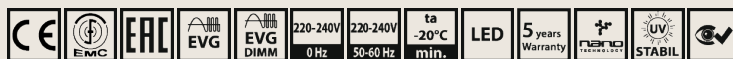
- Models with emergency power or dimming function on request -

SPECIAL FEATURES:

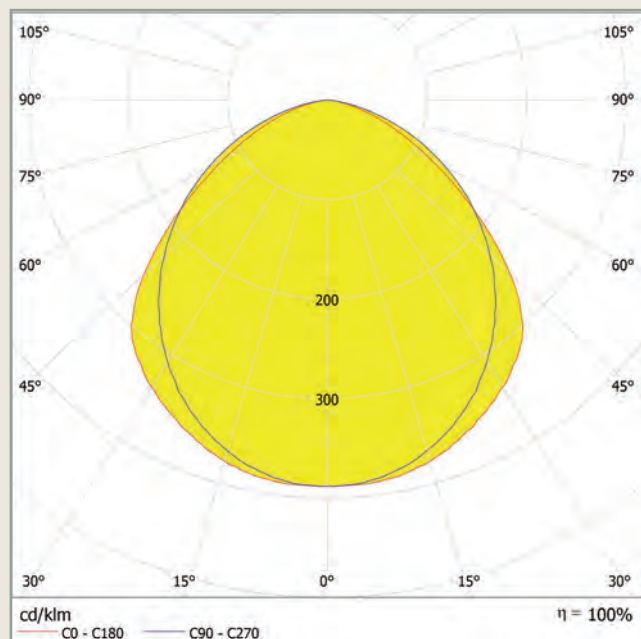
- High-power LED with up to 140 lm/W.
- Light colour 4,000 K.
- CRI +80
- Power factor 0.98
- Lifetime L80B10 TA30 - up to 70,000 hours
- White sheet steel housing and polycarbonate cover combined with white sheet steel
- Direct mounting to the ceiling or wall
- 2 x cable mounting screws
- Protection class I.
- IP 65
- Ambient temperature: -20°C ≤ T_a ≤ see table
- High light output
- Neutral white (2,700 K - 6,500 K on request)
- High colour rendering index
- Proven longevity
- IK10+, resistant to mechanical stress (impact protection up to impact energy of 40 joules, models up to 50 joules on request)
- Easy installation on the ceiling or wall of the room to be illuminated
- Prepared for continuous assembly
- Dust and splash protection
- Use at elevated ambient temperatures and large temperature fluctuations

- Further models on request / subject to change and error -

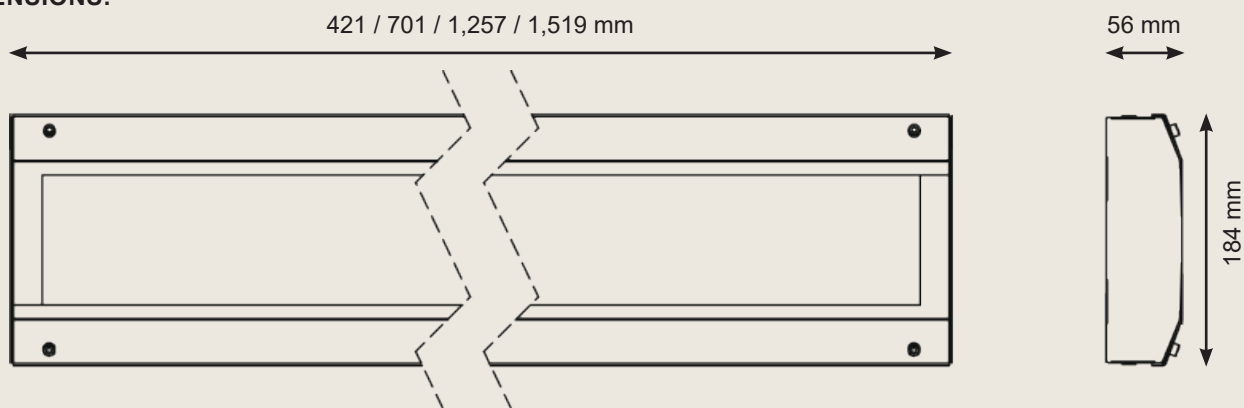
LED Surface Light BOXER-LED



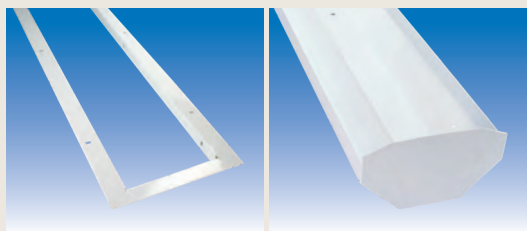
LIGHT EMISSION:



DIMENSIONS:



ACCESSORIES:

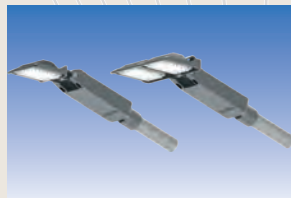
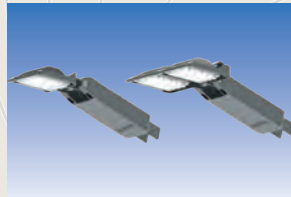


Mounting frame
421 mm **EXV034**
701 mm **EXV035**
1,257 mm **EXV036**
1,519 mm **EXV037**

Set for corner installation
421 mm **EXV038**
701 mm **EXV039**
1,257 mm **EXV040**
1,519 mm **EXV041**

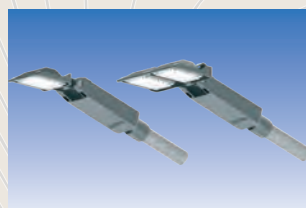
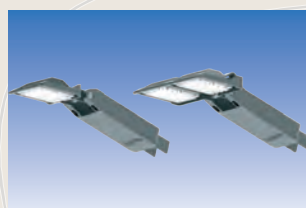
– Further models on request / subject to change and error –

ELSPRO LED Lighting for Streets / Paths / Squares



ELSPRO[®]

ELSPRO Lighting for Paths and Squares WHIPLLED





MODELS:

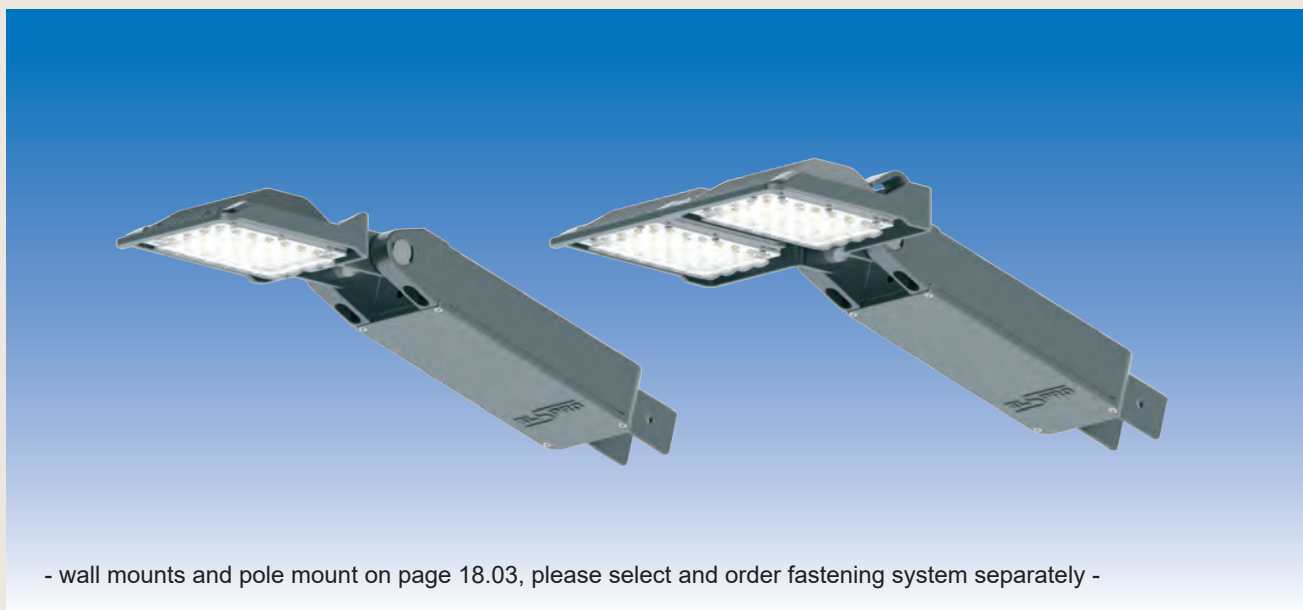
Voltage	Output	Lumen	Dimensions	Weight	Color	Order No.
170 - 240 V AC 50 / 60 Hz	32 W	2,680	H: 330 mm W: 131 mm / W: 264 mm T: 255 mm	2.8 kg	light gray RAL7035	EWL2328-1LG
					gray DB703	EWL2328-1GR
	64 W	5,360		4.0 kg	light gray RAL7035	EWL2356-1LG
					gray DB703	EWL2356-1GR

SPECIAL FEATURES:

- 28 or 56 high-performance LEDs → optimal light output, homogenous lighting
- rated output 32 or 64 watts → low energy costs
- sturdy housing made of special aluminum alloy with mounting connectors → weatherproof, hard-wearing, long service life
- large plastic-powder-coated heat sink → outstanding thermal management due to the large number of cooling fins
- angle of illumination: 160° with polycarbonate finish → excellent wide-area illumination
- color temperature: 5,800 K → similar to daylight
- ambient temperature: -20°C to +40°C → also suited for use when temperatures greatly fluctuate in both indoor and outdoor areas
- protection class: IP65 → dust-tight and sprayproof
- reduced weight of only 2.8 kg up to 4.1 kg → simple and secure wall mounting

- other models on request / subject to modification and errors -

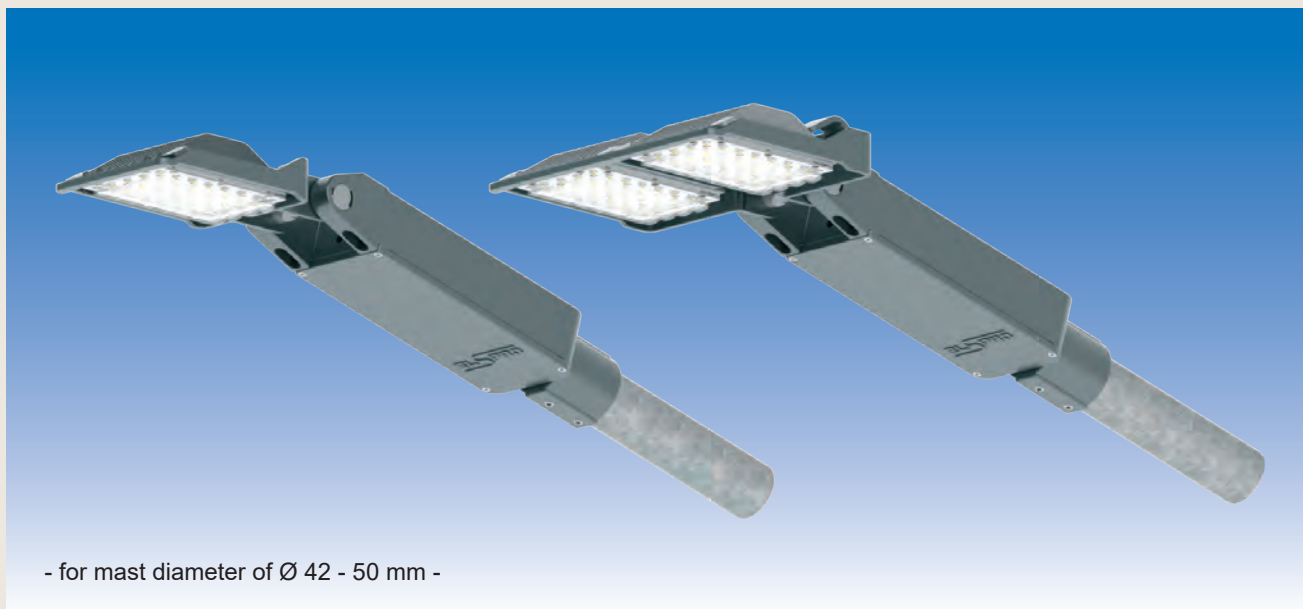
MODEL 2:



- wall mounts and pole mount on page 18.03, please select and order fastening system separately -

Voltage	Output	Lumen	Dimensions	Weight	Color	Order No.
170 - 240 V AC 50 / 60 Hz	32 W	2,680	H: 195 mm W: 131 mm / W: 264 mm T: 610 mm	2.9 kg	light gray RAL7035	EWL2328-2LG
					gray DB703	EWL2328-2GR
	64 W	5,360		4.1 kg	light gray RAL7035	EWL2356-2LG
					gray DB703	EWL2356-2GR

MODEL 3:



- for mast diameter of Ø 42 - 50 mm -

Voltage	Output	Lumen	Dimensions	Weight	Color	Order No.
170 - 240 V AC 50 / 60 Hz	32 W	2,680	H: 64 mm W: 131 mm / W: 264 mm T: 580 mm	2.9 kg	light gray RAL7035	EWL2328-3LG
					gray DB703	EWL2328-3GR
	64 W	5,360		4.1 kg	light gray RAL7035	EWL2356-3LG
					gray DB703	EWL2356-3GR

- other models on request / subject to modification and errors -

ELSPRO WHIPLD - Wall Mount and Mast Attachments fitting Model 2

COMPONENTS (plastic powder-coated aluminum):

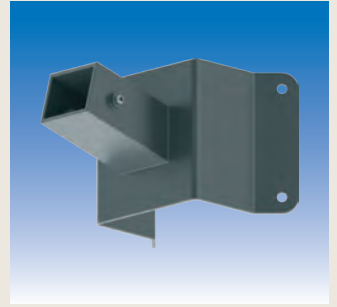
Outside corner wall mount

- connecting piece aligned 15° over the horizontal
- four mounting holes for wall mounting
- two-sided mounting of the WHIPLD with 2 V2A screws M8

light grey
grey

Order no.

128-821LG
128-821GR



Flat wall mount

- connecting piece aligned 15° over the horizontal
- four mounting holes for wall mounting
- two-sided mounting of the WHIPLD with 2 V2A screws M8

light grey
grey

128-823LG
128-823GR



Mast attachment 1-compartment

- connecting piece aligned 15° over the horizontal
- one-sided mounting with 3 V2A screws M8
- two-sided mounting of the WHIPLD with 2 V2A screws M8
attachment for 76 mm mast diameter, model with 60 mm diameter, model with 60 mm diameter is reduced in size by means of corresponding sleeves

76 mm light grey
76 mm grey
60 mm light grey
60 mm grey

128-825LG
128-825GR
128-826LG
128-826GR



Mast attachment 2-compartment

- opposite connecting pieces aligned 15° over the horizontal
- three-sided mounting with 6 V2A screws M8
- two-sided mounting of the WHIPLD with 2 V2A screws M8
attachment for 86 mm mast diameter, models with 76 mm or 60 mm diameter is reduced in size by means of corresponding sleeves

86 mm light grey
86 mm grey
76 mm light grey
76 mm grey
60 mm light grey
60 mm grey

128-8286LG
128-8286GR
128-8276LG
128-8276GR
128-8260LG
128-8260GR



- other models on request / subject to modification and errors -

ELSPRO LED Lighting for Squares and Paths

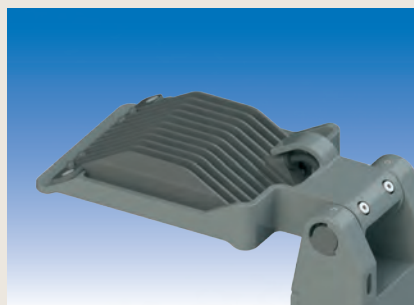
Type WHIPLLED 28 and 56 - Models 1-3



WHIPLLED 28 Model 1 has an optional cable entry from below or along the housing rear



The head of the WHIPLLED is adjustable and can be locked in the desired position

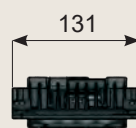


Outstanding thermal management thanks to a large number of cooling fins

MODEL 1



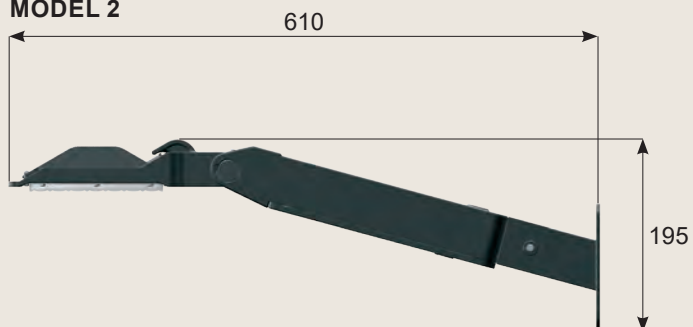
WHIPLLED28



WHIPLLED56



MODEL 2



MODEL 3



- other models on request / subject to modification and errors -

ELSPRO®

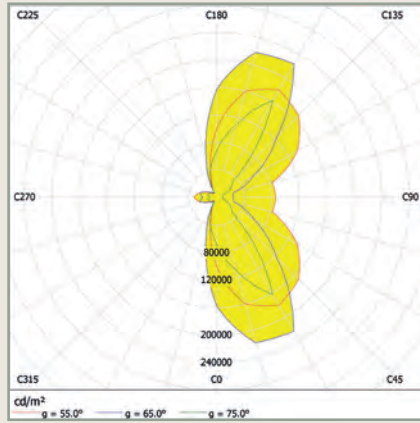
FINLED



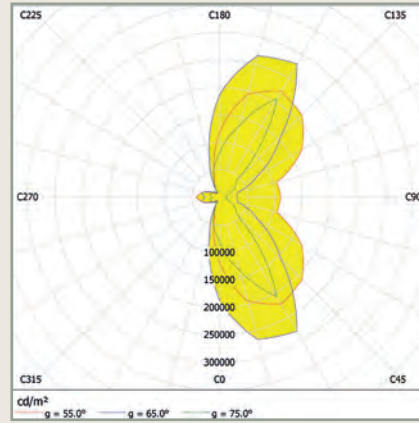
LED Street/Path & Plaza Light FINLED

LIGHTING SPECIFICATIONS:

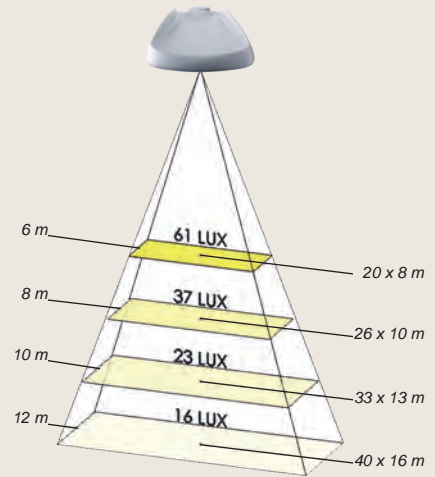
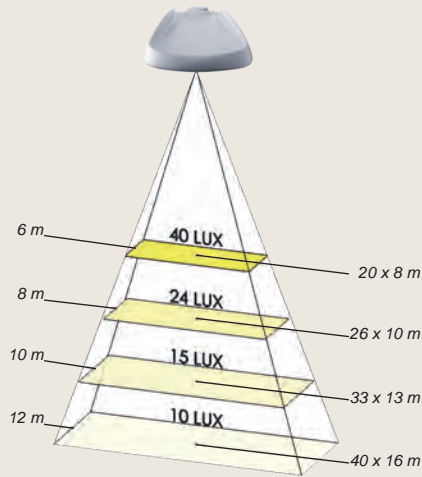
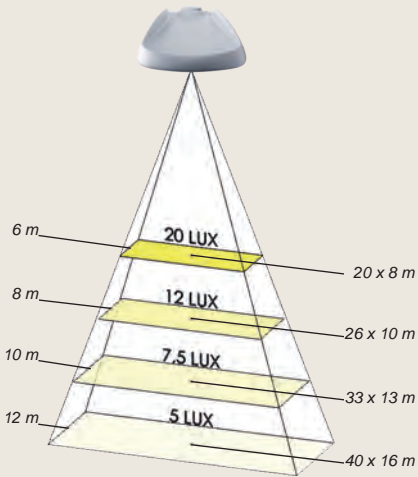
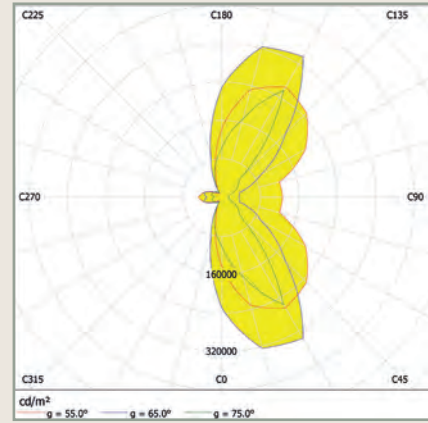
EFL40



EFL80

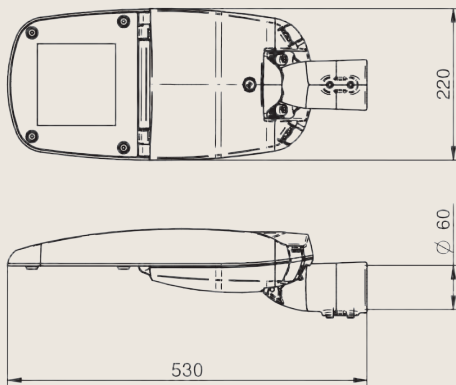


EFL120

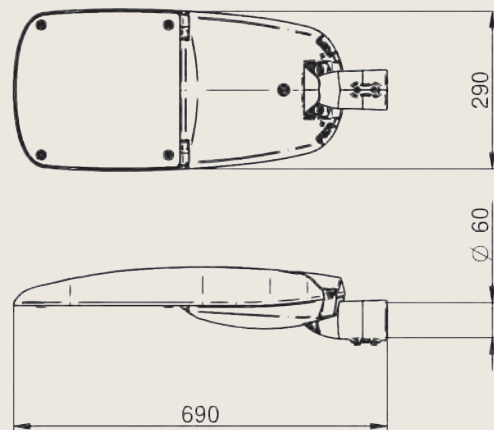


DIMENSIONS:

EFL40



EFL80 / 120



- Further models on request / subject to change and error -



MODELS:

Voltage	Power	Luminous flux	Luminaires	Colour temperature	Dimensions (L x W x H)	Weight	Order no.
220 - 240 V AC 47 - 63 Hz	40 W	6,432 lm	LED panel 16 LEDs	4,000 K	530 220 283 x 128 mm	6.8 kg	EFL40
	80 W	12,760 lm	LED panel 32 LEDs		690 290 283 x 140 mm	8.5 kg	EFL80
	120 W	19,152 lm	LED panel 48 LEDs				EFL120

SPECIAL FEATURES:

- **LED life L90B10 > 100,000 hours**
Driver life < 70°C = 100,000 hours
- **160 lumens / watts**
- Modular concept
- Outstanding price/performance ratio (lm/€)
- 16, 32 or 48 high power LEDs type 5050
- Ambient temperature -35°C to +50°C.
- Luminosity class G6 and Upward Light Ratio (ULR) = 0%
- Photobiological safety class RG0 (without risk)
- Protection class 1
- Colour Rendering Index (CRI) > 70
- The inclination of the luminaire can be individually adjusted from -15° to +15° as a pole-mounted luminaire
- Light-weight, only 6.8 or 8.5 kg
- Outstanding, proven durability
- Highly efficient LED technology: High luminous efficiency with low energy consumption – one of the most powerful and efficient street lights on the market
- Future-proof and sustainable thanks to easy-to-replace luminaire components (LEDs, drivers, lens optics, safety glass)
- Low payback times
- Homogeneous light image
- Use even with large temperature fluctuations
- No light emissions in the upper half-space and therefore no light pollution
- Maximum safety for the user
- Optimal alignment of the light cone to the conditions on site
- Easy installation and maintenance

– Further models on request / subject to change and error –

LED Street/Path & Plaza Light FINLED

Save costs

Save time

Increased safety

5mm tempered safety

glass with UV filter

Prevents blue light from escaping

- Protects people and animals
- Protects insects



Flexible mounting as

top-mounted and top-mounted mast luminaires by means of swivelling nozzles - suitable for a mast diameter of 60 mm tilt adjustable from -15° to +15°

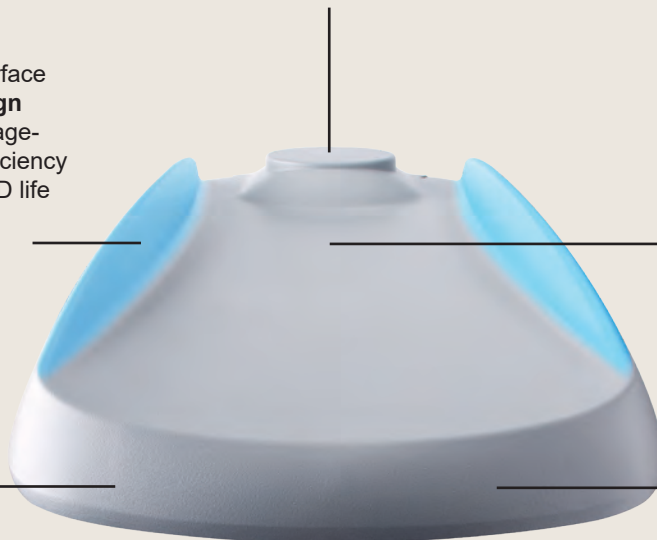
Highly efficient Zhaga Standard (Book 15) LEDs with 160 L/W. Power Factor > 0.98 Energy class A++ (IPEA>1.15)

Pressure equalisation valve

Prevents condensation and maintain IP tightness

Prepared for any intelligent light control and sensor technology - Fit for the future today

A 33% increased cooling surface thanks to **patented fin design** ensures excellent heat management and thus increased efficiency (160lm/W) and very high LED life (L90B10 > 100,000 hours)



Plastic powder-coated aluminium die-cast housing (colour RAL 9022) robust, weatherproof and corrosion-resistant

Impact resistance IK10

Resistant to mechanical stress, such as heavy hail

Aerodynamic design

- Low contamination due to smooth surface
- No cooling fins are necessary for heat dissipation

Elegant, slim design

blends harmoniously into almost any environment

Beam angle 140° -

Asymmetric Super Extensive (AE) Excellent and uniform surface illumination

- Further models on request / subject to change and error -

LED Street/Path & Plaza Light FINLED

Save costs

Save time

Increased safety

Automatic mains interruption
When opening the housing

Multifunctional high-tech LED
driver dimmable 1-10 V.

Open without tools

Of the connection compartment
by two locking clips

- Easy handling and easy connection of the luminaire
- Safe locking by eccentric system

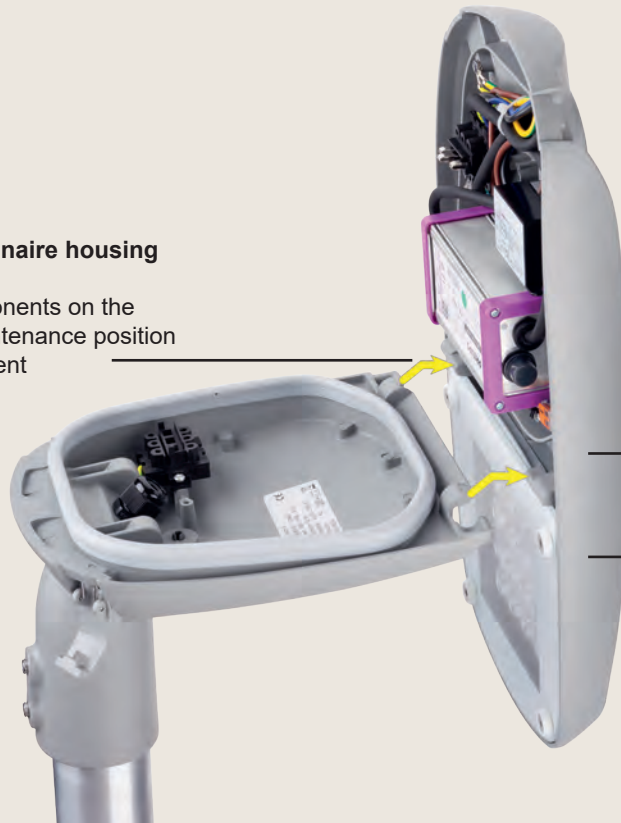
Surge protection 20 kA (10 kV) -
protects against costly failures

Degree of protection IP66
Dust-proof and protected
against strong jet water from
all directions



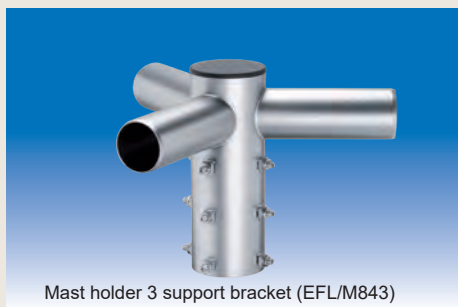
Two-piece, removable luminaire housing
for comfortable and fast
Maintain all important components on the
workbench or in a fixed maintenance position
→ Rapid, tool-free replacement

Two-zone concept
(Two chambers for
LED module and driver)
for optimal thermal
management



– Further models on request / subject to change and error –

LED Street/Path & Plaza Light FINLED



Mast holder 3 support bracket (EFL/M843)

ACCESSORIES AND SPARE PARTS:

Mast holder for pipe diameter 67-80 mm

- Horizontal tilted by 0°
- incl. fittings (VA) M8 x 30 mm
- Stainless steel
- 1 support bracket L=150 mm x Ø=60 mm
- 2 support bracket L=150 mm x Ø=60 mm
- 3 support bracket L=150 mm x Ø=60 mm
- 4 support bracket L=150 mm x Ø=60 mm

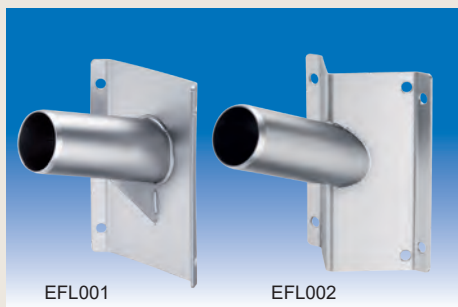
Order no.

EFL/M841

EFL/M842

EFL/M843

EFL/M844



EFL001

EFL002

Corner mounting for inner angle (90°)

- Pipe dimensions (L x Ø): 120 x 60 mm
- Mounting plate dimensions: 200 x 160 mm
- Stainless steel V2A

EFL001

Wall bracket (0°) and corner mounting for external angle (90°)

- Pipe dimensions (L x Ø): 200 x 60 mm
- Mounting plate dimensions: 200 x 160 mm
- Stainless steel V2A

EFL002



Safety glass (EFL007)

LED driver (not shown)

- Input voltage 230 V AC
- LED driver dimmable 1 - 10 V DC
- Continuous current 750 mA
- Nominal power 40 W.
- Nominal power 80 W.
- Nominal power 120 W.

EFL003

EFL004

EFL005

Safety glass (5 mm) with UV filter

- FINLED 40 W
- FINLED 80 W / 120 W

EFL006

EFL007



LED board including lens (EFL008 / EFL009)

LED board including lens

- Light colour 4,000 K.
- Colour Rendering Index (CRI) > 70
- LED life L90B10 > 100,000 hours
- 8 LEDs
- Total luminous flux 3,216 lm
- 16 LEDs
- Total luminous flux 6,380 lm

EFL008

EFL009

OPTIONAL PROJECT FEATURES:

- Additional colour temperatures: PC Ambar, 2,200 K, 3,000 K and 5,000 K.
- with ZHAGA-connections for sensors
- IoT-ready (Ready4IoT), making it future-proof for versatile intelligent lighting control and sensor technology →
- Sensor-ready model (e.g. for motion or daylight sensors)
- Additional lens optics (PMMA lenses 2x2) for a wide range of beam angles
- Other services available
- Additional housing colours on request
- Colour Rendering Index (CRI) > 80
- Models with protection class 2



– Further models on request / subject to change and error –



MODELS:

Voltage	Output	Lumen	Dimensions	Weight	Color	Post diameter	Order No.
230 V AC +/- 10% 50 / 60 Hz	280 W	30.000	H: 90 mm Ø: 640 mm	18.0 kg	grey DB703	86 mm	N8GR2886
						76 mm	N8GR2876
						60 mm	N8GR2860

SPECIAL FEATURES:

- 8 LED modules with 27 LEDs each → 216 LEDs for homogeneous 360° lighting exposure
- Rated power of 280 watts → Low energy costs
- Robust plastic powder-coated aluminum housing → Weather-resistant, durable, long lifespan
- Plastic power-coated heat sink → Excellent heat management with large number of cooling ribs
- LED modules supplied individually by drivers → High availability
- Modular design of the luminaire → LED modules and drivers replaceable individually
- Color temperature: 5,000 K → Daylight-similar
- Surrounding temperature: -25°C to +40°C → Use also in the case of high temperature fluctuations indoors and outdoors
- Protection class 2
- Protection rating: IP65 → Dustproof and water-jet-proof

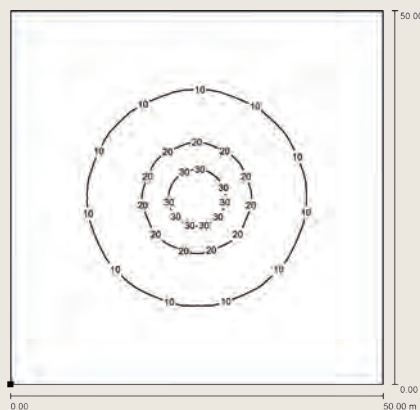
Scope of delivery: 1 N8LED post-top luminaire, 1 post-top mounting (depending on model with pole tube), 1 strain-relief sphere, 1 attachment set

– other models on request / subject to modifications and errors –

Mast attachment of plastic powder-coated aluminum



- The power supply cable is channeled through the post
- It is secured by a strain-relief sphere
- Attachment takes place via an attachment box
- From the attachment box, the power supply for the luminaire is provided via a pre-assembled cable with plug and socket device with fastening bolt
- Three-sided fastening with 6 V2A bolts M8
- The attachment is for a mast diameter of 86 mm
- The diameter is reduced in the case of corresponding post tubes to 76 mm or 60 mm
- Other diameters on request



Mounting height: 8.00 m
 E_m : 8.27 Lux
 E_{min} : 0.14 Lux
 E_{max} : 87.00 Lux

Mounting height: 10.00 m
 E_m : 7.90 Lux
 E_{min} : 0.33 Lux
 E_{max} : 56.00 Lux

Mounting height: 12.00 m
 E_m : 7.55 Lux
 E_{min} : 0.46 Lux
 E_{max} : 39.00 Lux

– other models on request / subject to modifications and errors –

ALFLED DS

ELSPRO LED-Wire Rope Lamp



VERSION:

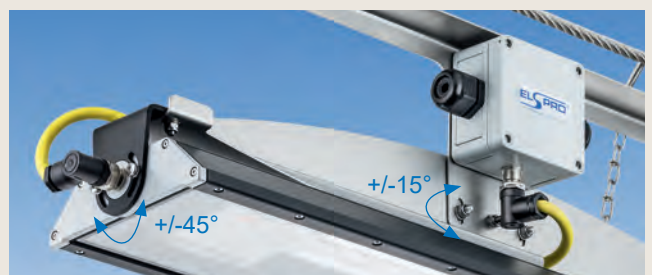
Voltage	Power	Lumen	Orientation	Dimensions in mm (D x W x H)	Weight	Illuminant	Order no.
220 - 240 V AC 50 / 60 Hz	52 W	6,500	0°	843 x 160 x 300	6.50 kg	LED panel	7S235260
			90°	500 x 843 x 300	6.50 kg		7S23526090
	104 W	12,810	0°	843 x 330 x 300	8.80 kg		7S2310460
			90°	500 x 843 x 300	8.80 kg		7S231046090

SPECIAL FEATURES:

- Colour temperature: 5,000 Kelvin → Daylight white
- LED boards under plastic lenses with an angle of emission of 60°. → Focused light
- IP 67 → Dust- and waterproof
- Suspension system made of stainless steel V2A → Weatherproof
- Rope support with 2-fold clamp and additional fall protection including carabineer hook → Hang in, clamp, secure, secure, done
- The inclination of the lighting unit on the suspension rail can be adjusted by +/- 15° → Compensation of the lowering of the wire rope possible
- Tilting of the ALFLED on the mounting bracket possible by +/- 45° → Optimal alignment of the light beam
- Cable entry and exit (M25) on the left and right side of the connection box with cable diameter of 13-18 mm → Connection box easy to install outside the lamp
- Connection of ALFLED and junction box using angled connectors → Individual lamps can be disconnected without interrupting the power supply to other lamps in the series



Model turned 90° to the right



Alignment of the lamp at the mounting brackets and also possible on the suspension rail

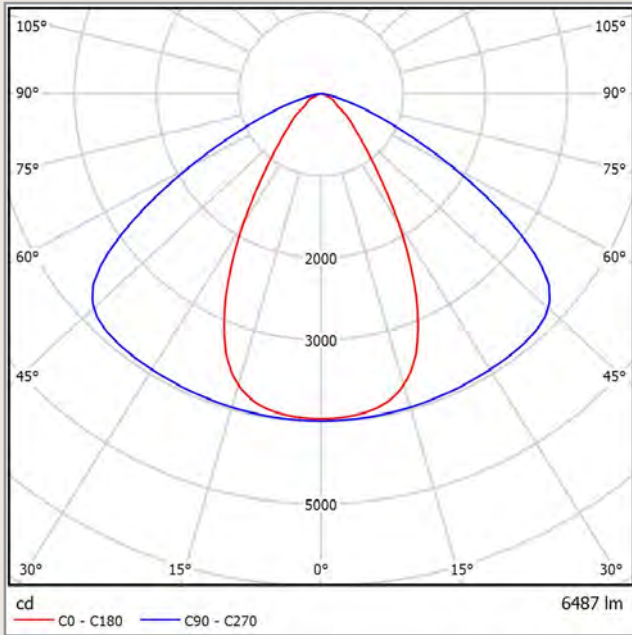
– Other versions on request / Subject to alterations and errors –

ALFLED DS

ELSPRO LED-Wire Rope Lamp



PHOTOMETRIC DATA 1-FLAME

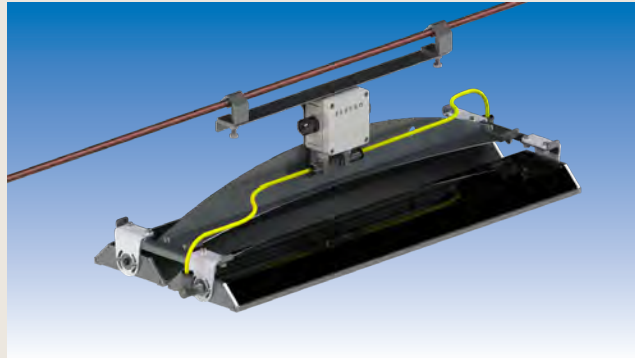
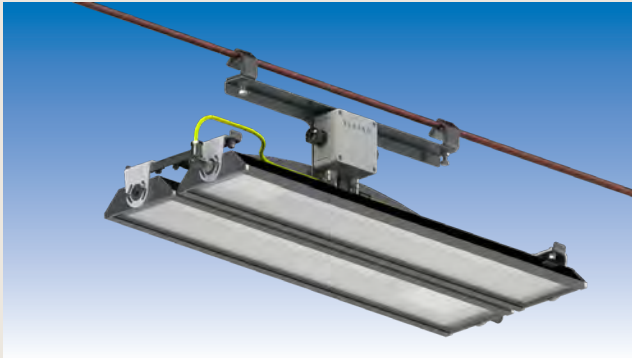


Distance [m]	Peg diameter [m]	Beam diameter [m]	E(0°)	E(C90)	E(C0)
1.0	3.45	1.15	3963	253	1298
2.0	6.90	2.30	991	63	325
3.0	10.35	3.45	440	28	144
4.0	13.80	4.60	248	16	81
5.0	17.25	5.75	159	10	52
6.0	20.70	6.90	110	7	36

Distance [m] Peg diameter [m] Illuminance [lx]

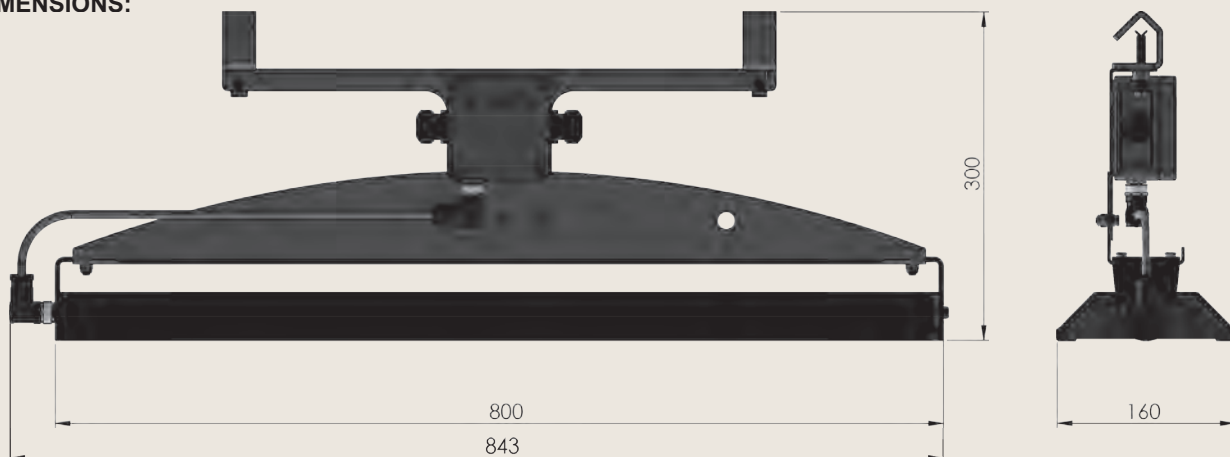
— C0 - C180 (Half-peak divergence: 59.8°) —
 — C90 - C270 (Half-peak divergence: 119.8°) —

VARIANT 2-FLAME



The ALFLED LED wire rope lamp is also available as a 2-flame version with 104 watt output. This variant can also be ordered offset by 90°.

DIMENSIONS:



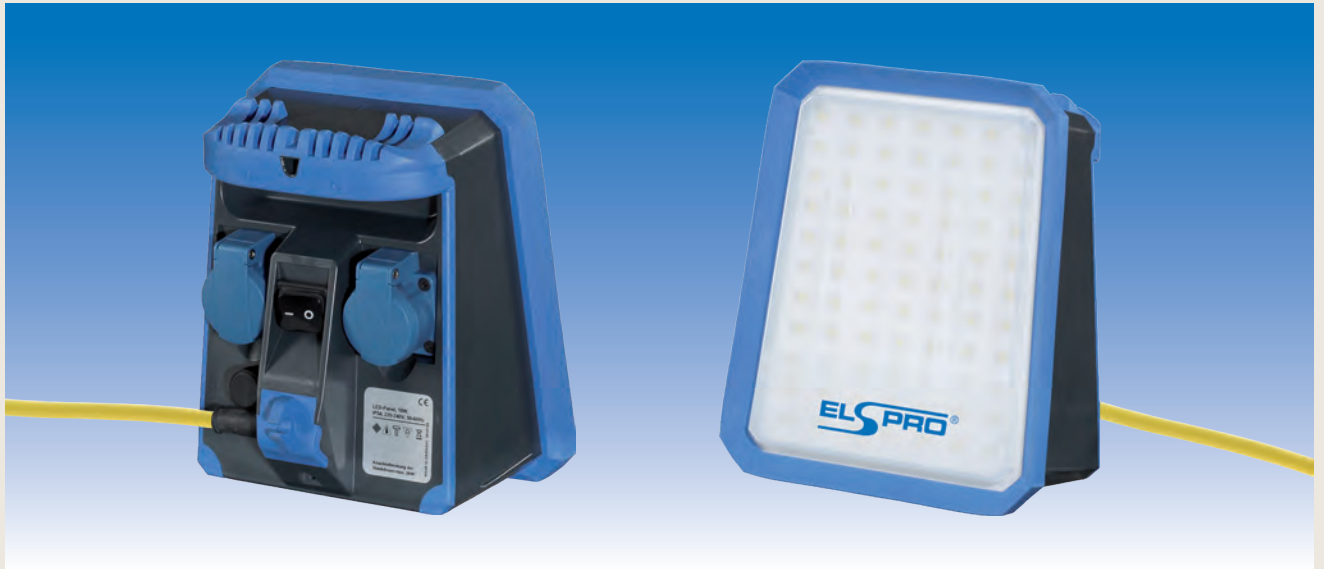
– Other versions on request / Subject to alterations and errors –

Mobile Lamps

Building and Construction Lamps

Tent Lamps / Chain Lamps





MODELS:

Voltage	Output	Luminous flux LED-Panel	Protection class	Cable with Plug	Outlets Sockets	Weight without Cable	Order No.
230 V / 50 HZ	29 W	3.100 lm	IP 55	5 m 10 m	- ohne -	1,2 kg	QVL2325/5 QVL2325/10
			IP 54	5 m 10 m	2 Schutzkontakt	1,5 kg	QVL2325/5/02 QVL2325/10/02

- dimensions (WxHxD): 215 x 250 x 155 mm → limited space required, flat and compact form
- limited weight → easy and trouble-free handling while in use
- LED panel with highly efficient SMD LEDs → high light output with low energy consumption, COST SAVINGS
- housing made of impact-resistant polycarbonate, edge protector of soft, thermoplastic elastomer → strongly suitable for mobile use on building and construction sites
- incl. robust switch on the lamp → can be switched on and off directly at the workplace
- low heat development → no burns when touched, SAFETY

– other cable lengths and models on request / subject to modification and errors –



Tripod type TV7731

ACCESSORIES:

- Tripod type DELTA 4 with Ø 30 mm DIN pins
- black aluminium
- height when folded: 105 cm
- maximum height when set up: 360 cm
- minimum height when set up: 125 cm
- diameter of the maximum footprint: 110 cm
- max. load capacity: ca. 13 kg
- tripod weight: ca. 2.5 kg
- completely preassembled

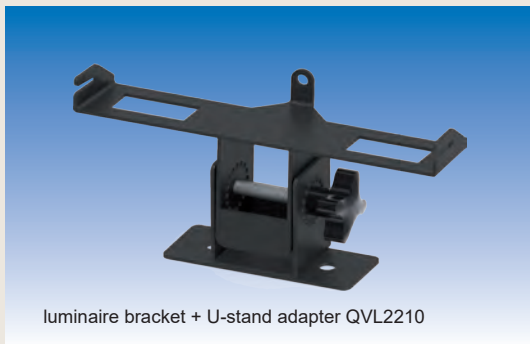
- luminaire bracket + U-stand adapter
- luminaire bracket + female spigot adapter

Order No.

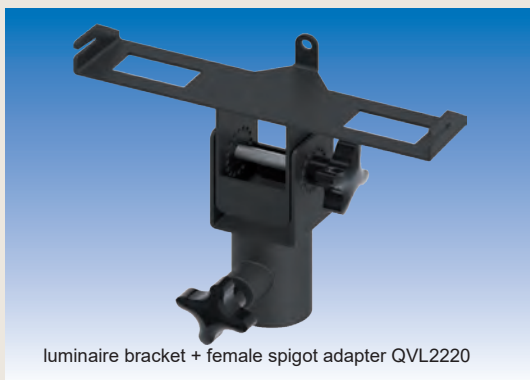
TV7731

QVL2210

QVL2220



luminaire bracket + U-stand adapter QVL2210



luminaire bracket + female spigot adapter QVL2220

– other tripods and cross bars are found starting on page 13.1 / subject to modification and errors –



MODELS:

Voltage	Output	Luminous flux LED-Panel	Protection Class	Cable with plug	Outlets Sockets	Weight without Cable	Order No.
24 V AC / 50 HZ	29 W	4.200 lm	IP66	5 m 10 m	- ohne -	1,69 kg	QVL2430/5 QVL2430/10
			IP44	5 m 10 m	1 CEE 24V 16A, 2 pol.	1,79 kg	QVL2430/5/1 QVL2430/10/1
IP66			5 m 10 m	- ohne -	1,69 kg	QVL4230/5 QVL4230/10	
IP44			5 m 10 m	1 CEE 42V 16A, 2 pol.	1,79 kg	QVL4230/5/1 QVL4230/10/1	
42 V AC / 50 HZ	36 W	5.000 lm	IP66	5 m 10 m	- ohne -	1,92 kg	QVL2330/5 QVL2330/10
			IP54	5 m 10 m	3 Schutzkontakt	2,10 kg	QVL2330/5/03 QVL2330/10/03

SPECIAL FEATURES:

- with sockets like fig. IP44/IP54; without socket IP66
- dimensions in mm:: WxHxD = 305/320/115
- limited weight
- LED panel with highly efficient SMD LEDs
- housing of impact-resistant polycarbonate, covered with soft rubber
- handle of impact-resistant ABS with 6 locking positions for positioning
- with robust switch on the lamp
- low heat development
- SAFETY also when used in wet areas
- limited space required, flat and compact form
- easy and trouble-free handling in practice
- high light output with low energy consumption, COST SAVINGS
- suitable for mobile use on building and construction sites
- simple to transport, can be set up versatily and in all situations
- can be switched on and off directly at the workplace
- no burns when touched, SAFETY

– other cable lengths and models on request / subject to modification and errors –



Tripod BETA 3

ACCESSORIES:

- tripod type BETA 3 with Ø 30 mm DIN pins
- aluminium black
- height when folded 114 cm
- maxium height when set up: 252 cm
- minimum height when set up: 96 cm
- diameter of the maximum footprint: 114 cm
- max. load capacity: ca. 30 kg
- tripod weight of ca. 6,5 kg
- completely preassembled

- basic mounting bracket for attaching the support bar with a 30 mm DIN pin
- 1-panel support bar
- 2-panel support bar
- Magnetic mount for 1 piece QVN 72 (2 large magnets with support rail)

Order No.

TV7521SA

TV001

QVL029

QVL030

QVL029M2



Basic mount TV001



1-panel support bar



2-panel support bar

– other tripods and cross bars are found starting on page 7 / subject to modification and errors –



MODELS:

Voltage	Output	Protection Class	Cable with Plug	Outlets Sockets	Weight without Cable	Order No.
24 V AC / 50 HZ	44 W	IP54	5 m 10 m	- none -	2.28 kg	QVL2440/5 QVL2440/10
		IP44	5 m 10 m	1 CEE 24V 16A, 2 pol.	2.40 kg	QVL2440/5/1 QVL2440/10/1
42 V AC / 50 HZ		IP54	5 m 10 m	- none -	2.28 kg	QVL4240/5 QVL4240/10
		IP44	5 m 10 m	1 CEE 42V 16A, 2 pol.	2.40 kg	QVL4240/5/1 QVL4240/10/1
230 V / 50 HZ		IP54	5 m 10 m	- none -	2.45 kg	QVL2340/5 QVL2340/10
		IP54	5 m 10 m	3 earthing contact sockets	2.54 kg	QVL2340/5/03 QVL2340/10/03

SPECIAL FEATURES:

- dimensions (WxHxD): 280 x 360 x 130 mm
- limited weight
- LED panel with highly efficient SMD LEDs
- housing made of impact-resistant polycarbonate, edge protector of soft, thermoplastic elastomer
- handle made of impact-resistant ABS with 6 locking positions for positioning
- incl. robust switch on the lamp
- low heat development
- limited space required, flat and compact form
- easy and trouble-free handling while in use
- LED panel with high light output, 6,450 lm, with low energy consumption, COST SAVINGS
- strongly suitable for mobile use on building and construction sites
- simple to transport, can be set up versatily and in all situations
- can be switched on and off directly at the workplace
- no burns when touched, SAFETY

battery model on page 22.01

– other cable lengths and models on request / subject to modification and errors –



Tripod type BETA 3

ACCESSORIES:

- Tripod Type BETA 3 with ø 30 mm DIN pins
- black aluminum
- height when folded: 114 cm
- maximum height when set up: 252 cm
- minimum height when set up: 96 cm
- diameter of the maximum footprint: 114 cm
- max. load capacity: ca. 30 kg
- tripod weight: ca. 6.5 kg
- completely preassembled

Order No.

TV7521SA

- basic mounting bracket for attaching the support bar with a 30 mm DIN pin

TV001

- 1-panel support bar

QVL001

- Magnetic mount for 1 piece QVLED40 (2 large magnets with support rail)

QVL01M2

REPLACEMENT PARTS:

- front section in anthracite/blue
- cover panel
- rear housing with 3 earthing contact sockets and switch
- rear housing without sockets but with switch
- handle
- LED panel
- LED converter 230 V
- LED converter 24 V AC
- LED converter 42 V AC

Order No.

QVL003

QVL004

QVL005

QVL006

QVL007

QVL008

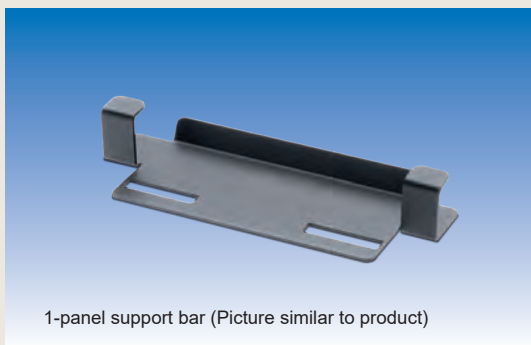
QVL009

QVL010

QVL011



Basic mount TV001



1-panel support bar (Picture similar to product)



– other tripods and cross bars are found starting on page 13.1 / subject to modification and errors –



CONFIGURATIONS:

Voltage	Power	Light source	Luminous flux	Colour	Dimensions in cm	Weight	Order no.
100-240 V AC 50/60 Hz	100 W	High-Power-COB LED	10.000 - 2.000 lm	blue-black	H = 27,7 W = 24,4 D = 8,5	4,3 kg	QVL100/5

SPECIAL FEATURES:

- Robust powder-coated die-cast aluminium housing with rubberised edge and lens protection
- Small space requirement due to compact design
- Easy to transport thanks to rubberised carrying handle
- 5-level dimming function (10,000 / 8,000 / 6,000 / 4,000 / 2,000 lm)
- Light output display (10,000 - 2,000 lm) on the back of the light
- A continuously adjustable 180° swivelling base allows for a variable alignment of the light beam (Fig. 1)
- 120° beam angle for uniform area illumination
- with brightness memory function
- Fluorescent reflector integrated into the lens makes it easier to find the light in the dark (Fig. 2)
- Integrated USB port (output 5V 1A) for charging mobile devices (Fig. 3)
- Protection class IP 67 - dust and waterproof
- Impact resistance IK 07 - impact-resistant and resistant to mechanical stress
- Base prepared for mounting the ELSPRO base holder with DIN pin receptacle Ø 30 mm (Order No. TV001/4) for tripod mounting of the light
- Supply cable with plug: 5m INDUSTRIEFLEX 05 3G1.0 mm² - Copper class 6: ultra-fine stranded and therefore highly flexible

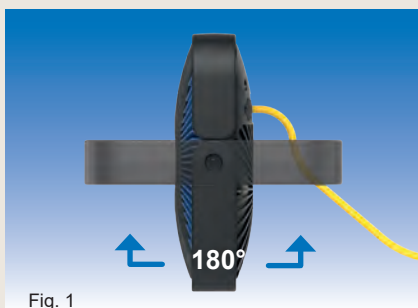


Fig. 1



Fig. 2



Fig. 3

Version with rechargeable battery see from p. 22.02.1

– Subject to changes and errors –



ACCESSORIES:

- Tripod Type DELTA 5 with Ø 30 mm DIN pin
 - Black aluminium
 - height when collapsed: 102 cm
 - Shock-absorbed / air-damped lowering
 - Maximum height when set up: 285 cm
 - Maximum height when set up: 104 cm
 - Maximum footprint diameter: 109 cm
 - max. load max. 13/17 kg
 - Tripod weight is approx. 3.3 kg
 - Completely pre-assembled

Order no.

TV7741SA



- Base mount TV001 including DIN pin holder Ø 30 mm with fixing material for QV LED 100

TV001/4



- Magnetic holder (stainless steel holding rail for clamp attachment with 2 holding magnets) for QV LED 100

QVL.2MAG



MODELS IN

Lamps	Output	Lumen LED panel	Length in mm	Weight in kg	Cable with plug	IP44	IP44	IP54:
						Order no. 24 V AC*	Order no. 42 V AC*	Order no. 230 V AC
LED panel	23 W	3,000	750	2.55	5 m	SLZ2423/5/01	SLZ4223/5/01	SLZ2323/5/01
				3.30	10 m	SLZ2423/10/01	SLZ4223/10/01	SLZ2323/10/01
LED panel	46 W	6,000	1,310	3.55	5 m	SLZ2446/5/01	SLZ4246/5/01	SLZ2346/5/01
				4.30	10 m	SLZ2446/10/01	SLZ4246/10/01	SLZ2346/10/01

MODELS IN IP67:

Lamps	Output	Lumen LED panel	Length in mm	Weight in kg	Cable with plug	Order no. 230 V AC
LED panel	23 W	3,000	750	2.55	5 m	SLZ2323/5/01DWD
				3.30	10 m	SLZ2323/10/01DWD
LED panel	46 W	6,000	1,310	3.55	5 m	SLZ2346/5/01DWD
				4.30	10 m	SLZ2346/10/01DWD



– other models on request / subject to modifications and errors –

ELSPRO LED Tent Lamps SLZ Product Series

Ø 70 mm polycarbonate

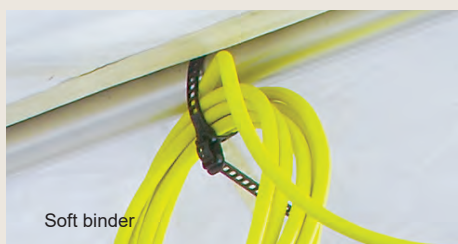
SPECIAL FEATURES:

- protective polycarbonate tube with two rubber cuffs → impact-resistant and protected
- plastic end caps with integrated plug and/or integrated cable plug system → simple modular structure
- large number of lamps possible in series connection → optimal SOLUTIONS, depending on the site of operation and lighting needs
- low heat development → no burns if touched
SAFETY
- 230 V: IP 54 – splash-resistant and/or IP 67 – waterproof → can also be used in outdoor areas
- full illumination intensity when first turned on, also in the case of low temperatures → immediately usable



ACCESSORIES :

- | | Order no. |
|---|---------------|
| ● plastic retaining clamps for wall or ceiling mounting | SLZ001 |
| ● plastic retaining clamps with magnet | SLZ002 |
| ● metal retaining clamps with magnet | SLZ003 |
| ● metal retaining clamps with strap hanging | SLZ004 |
| ● metal retaining clamps with rubber expander hanging | SLZ005 |



Soft binder 340.0 x 11.0 mm
(re-openable cable bundling system
for fixing extra cable)

SOFTBINDER340

– other models on request / subject to modifications and errors –



MODELS:

Lamps	Output	Luminous flux LED panel	Protection class	Cable with plug	Output	Length	Weight	Order no. 230 V AC
LED panel	33 W	3,450 lm	IP 67	5 m	- without -	965 mm	3.1 kg	SLZN2333/5
				10 m			4.1 kg	SLZN2333/10
			IP 54	5 m	1 earthing contact	1,030 mm	3.3 kg	SLZN2333/5/01
				10 m			4.3 kg	SLZN2333/10/01



– other models on request / subject to modifications and errors –

ELSPRO LED Tent Lamps SLZ Product Series with emergency light function

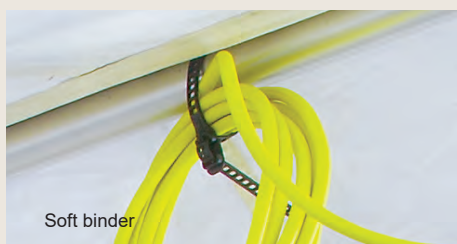
SPECIAL FEATURES:

- protective polycarbonate tube with two rubber cuffs → impact-resistant and protected
- plastic end caps with integrated plug and/or integrated cable plug system → simple modular structure
- large number of lamps possible in series connection → optimal SOLUTIONS, depending on the site of operation and lighting needs
- low heat development → no burns if touched
SAFETY
- 230 V: IP 54 – splash-resistant and/or IP 67 – waterproof → can also be used in outdoor areas
- full illumination intensity when first turned on, also in the case of low temperatures → immediately usable
- emergency light function → additional lighting in case of power failure max. 120 minutes



ACCESSORIES :

- | | Order no. |
|---|---------------|
| ● plastic retaining clamps for wall or ceiling mounting | SLZ001 |
| ● plastic retaining clamps with magnet | SLZ002 |
| ● metal retaining clamps with magnet | SLZ003 |
| ● metal retaining clamps with strap hanging | SLZ004 |
| ● metal retaining clamps with rubber expander hanging | SLZ005 |



Soft binder 340.0 x 11.0 mm
(re-openable cable bundling system
for fixing extra cable)

SOFTBINDER340

– other models on request / subject to modifications and errors –



MODELS:

Output	Luminous Flux	Protection Class	Input Cable with plug	Output Cable with Coupling	Order No. 24 V AC	Order No. 42 V AC	Order No. 230 V AC
12 W	1,300 lm	IP 65	-	-	NX2412/-	NX4212/-	NX2312/-
			5 m	-	NX2412/5	NX4212/5	NX2312/5
			5 m	0,5 m	NXA2412/5	NXA4212/5	NXA2312/5
8 W (emergency light)	1,100 lm		-	-	NXN2408/-	NXN4208/-	NXN2308/-
			5 m	-	NXN2408/5	NXN4208/5	NXN2308/5
			5 m	0,5 m	NXNA2408/5	NXNA4208/5	NXNA2308/5

- 110 V DC on request -

SPECIAL FEATURES:

- serial connection of the lamps in many variations, e.g., with connector system or fixed connections between the individual lamps, distance and number as required → optimal SOLUTIONS according to place of use and lighting needs are planned and produced
- connection with cable cross-sections of up to max. 14 mm are possible → impermissible drops in voltage are avoided; long series of lights with one power feed SAVE labor costs and materials
- high-performance LEDs with an illumination angle of 120° → homogeneous lighting
- colour temperature 6.500 K → similar to daylight
- polycarbonate housing → fall- and impact-resistant
- rustproof, stable suspension bracket → shock- and impact-resistant, with practical threaded closure
- satined Makrolon cover → 60 minutes battery powered lighting during power interruption, disengageable by using magnet (delivery includes magnet)
- NXN with emergency situation system



- other models on request / subject to modification and errors -



MODELS:



LED light source with E27 base

Output	Lumen	Input Cable with plug	Output Cable with Coupling	Order No.	Order No.	Order No.
				24 V AC	42 V AC	230 V AC
10 W	1.000	5 m	-	PXL2410/5	PXL4210/5	PXL2310/5
		5 m	0,5 m	PXLA2410/5	PXLA4210/5	PXLA2310/5

SPECIAL FEATURES:

- lamp in IP 65, sprayproof and dust-tight → SAFE and permanent illumination, also in extremely wet and dusty areas, reduces dangers in the workplace
- serial connection of the lamps in many variations, e.g., with connector system or fixed connections between the individual lamps, distance and number as required → optimal SOLUTIONS according to place of use and lighting needs are planned and produced
- connection with cable cross-sections of up to max. 14 mm are possible → impermissible drops in voltage are avoided; long series of lights with one power feed SAVE labor costs and materials

– other models on request / subject to modification and errors –

CHARACTERISTICS AND SPECIAL FEATURES

rustproof, stable suspension bracket

Fall- and impact-resistant polycarbonate housing, resistant to oil, acids, and alkaline solutions, self-extinguishing

Dimensions:

Diameter max. 161 mm

Total height incl. bracket 272 mm

Shock- and impact-resistant clear cover of Makrolon with practical threaded closure

Models with porcelain socket E27 and LED light source

Light source replacement without tools

REPLACEMENT PARTS:

Clear cover of Makrolon

LED-Leuchtmittel 10 W
 24 V, E27 base, 6.000 K
 42 V, E27 base, 6.000 K
 230 V, E27 base, 6.000 K

Order No.

PX001

LM.LED10/24B
LM.LED10/42B
LM.LED10/230B

Accessories:

Magnetic holder with strong gripping force and carabiner hook

Order No.

KX/MAG

– other models on request / subject to modification and errors –



Chain Application CXLA

solo CXL

MODELS:



LED module

Output	Lumen	Input Cable with plug	Output Cable with Coupling	Order No.	Order No.	Order No.
				24 V AC	42 V AC	230 V AC
20 W	2.320	5 m	-	CXL2420/5	CXL4220/5	CXL2320/5
		5 m	0,5 m	CXLA2420/5	CXLA4220/5	CXLA2320/5

BESONDERHEITEN:

- lamp in IP 65, sprayproof and dust-tight → SAFE and permanent illumination, also in extremely wet and dusty areas, reduces dangers in the workplace
- serial connection of the lamps in many variations, e.g., with connector system or fixed connections between the individual lamps, distance and number as required → optimal SOLUTIONS according to place of use and lighting needs are planned and produced
- connection with cable cross-sections of up to max. 14 mm² are possible → impermissible drops in voltage are avoided; long series of lights with one power feed SAVE labor costs and materials

– other models on request / subject to modification and errors –

CHARACTERISTICS AND SPECIAL FEATURES

rustproof, stable suspension bracket

Fall- and impact-resistant polycarbonate housing, resistant to oil, acids, and alkaline solutions, self-extinguishing



Dimensions:

Diameter max. 248 mm
Total height incl. bracket 299 mm

LED driver



Large neoprene ring press-fitted in a guide groove seals sprayproof



carrier plate



LED board, 20W, 2.320lm

Shock- and impact-resistant clear cover of satinised Makrolon



Locking ring of polycarbonate with 3 screws of stainless steel, undetachable

REPLACEMENT PARTS:

cover of satinised Makrolon
Complete locking ring
Neoprene ring

Order No.

CX009
CX001
CX002

ACCESSORIES:

Magnetic holder with strong gripping force and carabiner hook

Order No.

KX/MAG

– other models on request / subject to modification and errors –

FIELDS OF APPLICATION:

- building and construction sites
- industry, trade, and commerce

- in the protection class 3 model, particularly suitable for use in narrow, conductive areas with limited freedom of movement (pressure vessels, filtration plants, pipelines, containers, shafts, vehicles, etc.)



VERSIONS:

Output	Cable	Accessories	Order No.		
			24 V AC	42 V AC	230 V AC
20 W	5 m	-	AL2420/5	AL4220/5	AL2320/5
	10 m	-	AL2420/10	AL4220/10	AL2320/10
	20 m	-	AL2420/20	AL4220/20	AL2320/20
20 W	5 m	Magnet	ML2420/5	ML4220/5	ML2320/5
	10 m	Magnet	ML2420/10	ML4220/10	ML2320/10
	20 m	Magnet	ML2420/20	ML4220/20	ML2320/20

– power supply cable INDUSTRIEFLEX® 07 HT–

SPECIAL FEATURES:

- LED panel with highly efficient SMD LEDs → LED panel with high light output, 2.320 lm, with low energy consumption
- colour temperature 5.700 K → similar to daylight
- Solid rubber housing with shock-proof Makrolon cover, satined → shock- and impact-resistant, long service life, even under tough operating conditions, **COST SAVINGS!**
- nylon clamping ring with hanging bracket → simple and safe mounting as hanging lamp
- with a clamp at the bottom → assembling on an scaffold support
- IP 54 → safety in use, splash-proof

REPLACEMENT PARTS:

satined Makrolon cover (upper part)

Order No.

A02/S

– other cable lengths and models on request / subject to modification and errors –

Large Area Lamps / Special Lamps



ELSPRO[®]



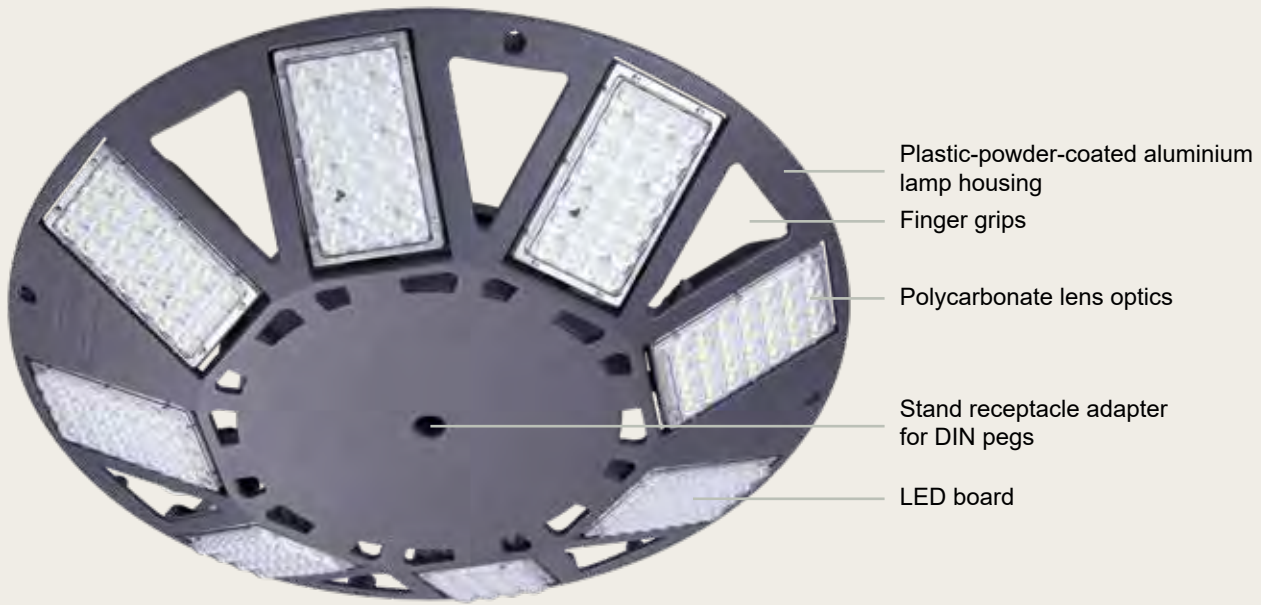
reddot design award



N8LED[®]

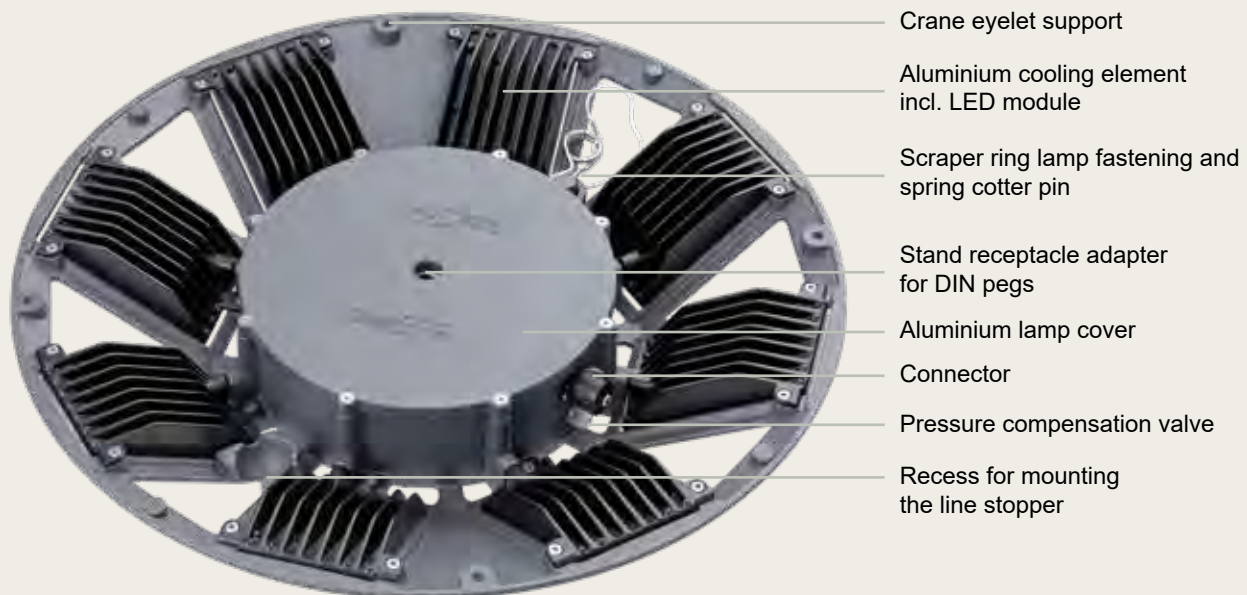
2.1





Ø 640 mm

90 mm → low wind load

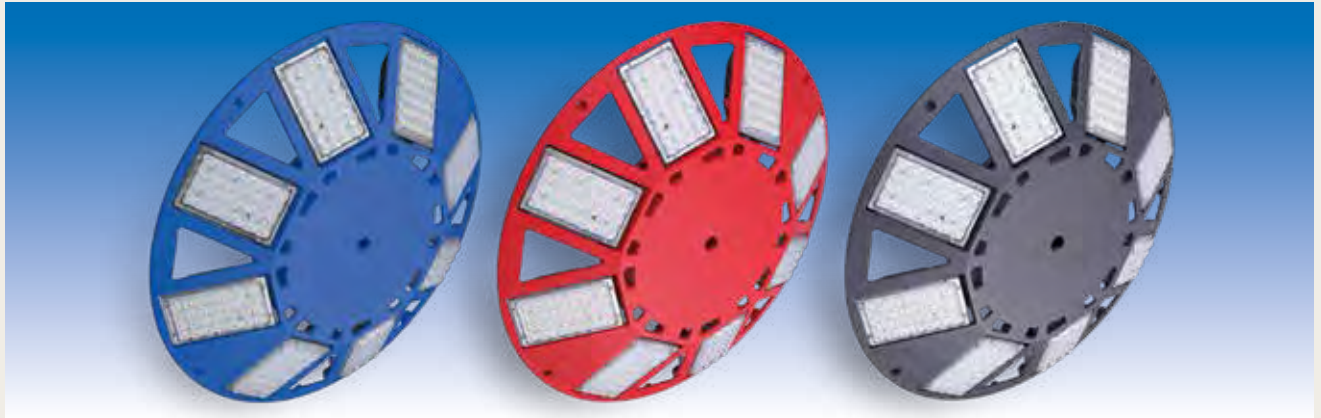


– other models on request / subject to modification and errors –

Radiant beauty...

Designed for the illumination of all construction and assembly sites in industry and trade, for rescue and emergency services, for control missions, army and events.

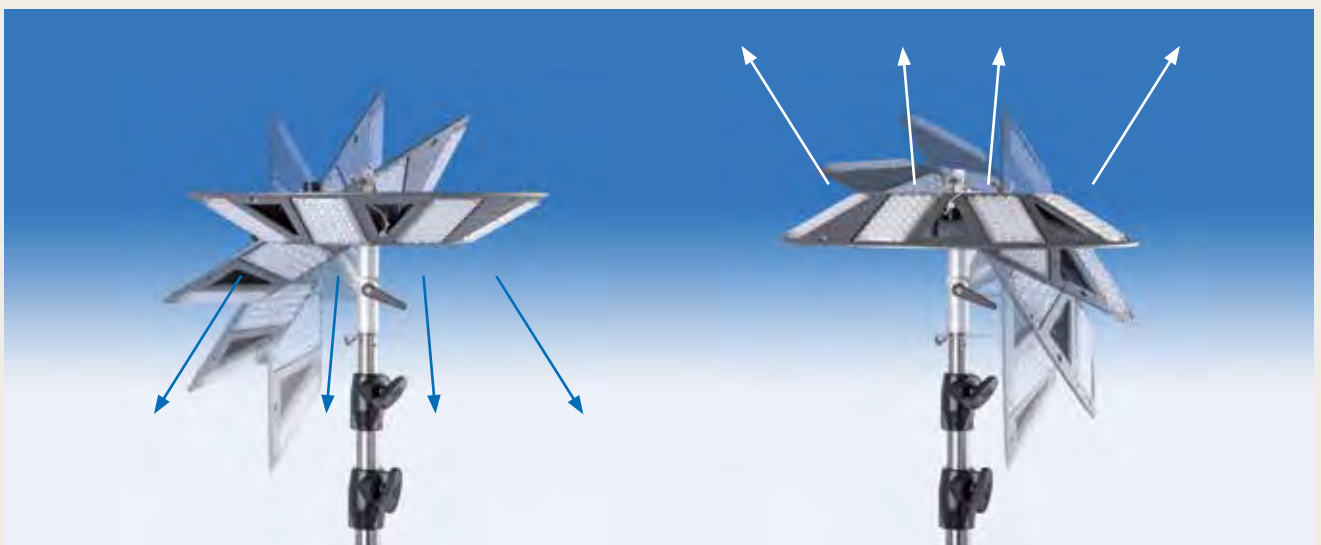
- High availability due to individually driven LED modules
- Modular design, LED modules and drivers individually interchangeable
- Directly after switching on, full power and large-area uniform illumination
- Lighter and quicker assembly of the lighting unit
- Tool-free assembly and disassembly due to captive safety spring-loaded plug and scraper ring with intelligent temperature management



N8LED 2.1:

Voltage	BLUE RAL5002	RED RAL3024	ANTHRACITE DB703
42 V AC	N8BL3001-42	N8RT3001-42	N8GR3001-42
230 V AC	N8BL3001	N8RT3001	N8GR3001

Scope of supply: 1 x N8LED 2.1, 1 x stand adapter for DIN peg assembly, 10 m feed lines with plug system and stopper



The stand adapter can be inserted from both sides, so it is possible to cast light downward or upward. With the tilt joint, the N8LED can be aligned in different positions from 0° to 90°.

– other models on request / subject to modification and errors –

Voltage	230 V AC +/- 10%
or	42 V AC +/- 10%
Rated frequency	50 Hz
Power consumption	360 watt
Protection type	IP 65
Protection Class	II
Category DGUV informations 203-005	K2
Usage temperature range	-25°C to +40°C
Dimensions (Ø x H)	640 x 90 mm
Number of LEDs	8 x 27 LEDs
Weight	18.0 kg
Angle of emission	360 degrees
Total luminous flux	41,574 lumens
Daylight colour	5,000 Kelvin
German utility model	20 2012 009 175.1
Community design	001350060

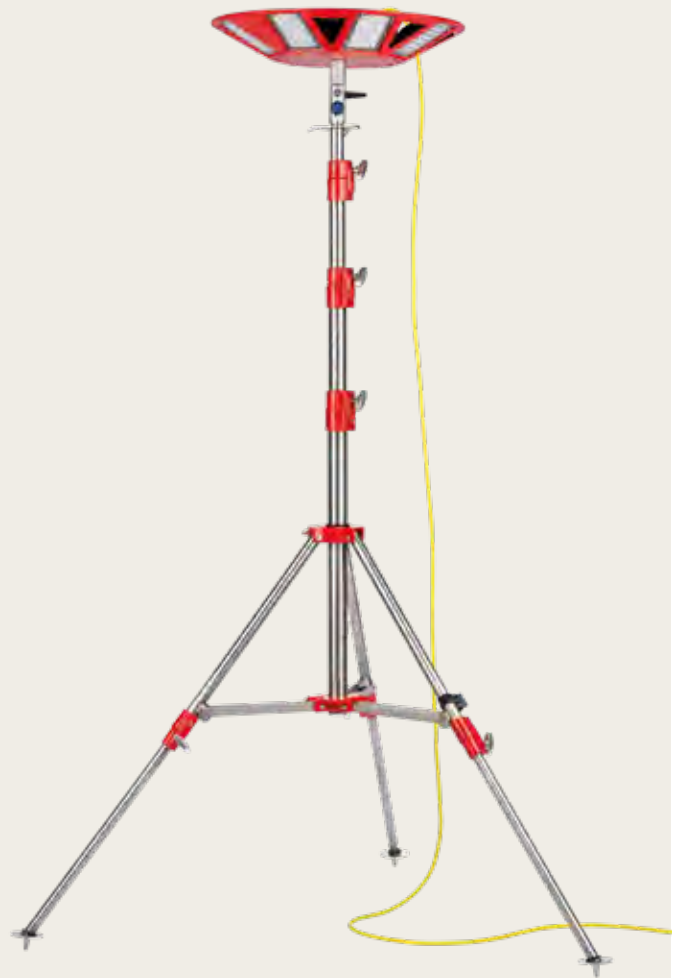


Illustration with stainless steel industrial and fire brigade stand
Type IFW 2.0: **Order no. TV7845SA**

or THW model: **Order no. TW7840SA**

– Detailed information,
further stands and mounting kits from page 13.1 -

The spring cotter pin serves as an additional safety device for the stand adapter, so that the expansion flanges cannot be unlocked - for unlocking the expansion flanges, slip the ring over.



Pass the cable through the opening with the recess - Attach the angle coupling to the connector - Place the strain relief ball in the recess - DONE.

– other models on request / subject to modification and errors –

Accessories and spare parts

Order number



Carrying case with adjustable carrying strap for storing and transporting N8LED, cable, accessories and operating instructions.

The cable and operating instructions are stowed on the suspended ceiling, which is fixed with three Velcro fasteners.

Underneath is the compartment for the N8LED. Under the N8LED is another pocket for accessories (stand adapter, chain, etc.).

828-501

Aluminium frame case for storing and transporting N8LED, cable, accessories and operating instructions.

Ideal for heavy-duty use.

828-502

LED module consisting of:

1 aluminium carrier, 1 LED board, 1 heat conduction mat, 1 PU seal, 1 lens cover, 1 mounting material

828-350

Stand adapter with tilt joint and expansion flanges for mounting on a DIN peg.

828-400

Chain set consisting of:

1 carabineer hook VA 7x70 mm
6 carabineer hooks VA 6x60 mm
4 carabineer hooks VA M8x20
+ ring nuts VA M8, self-locking
4 pc. à 50 cm round steel chain VA

828-600

Fastening set consisting of each 3 x:

7.5 m polyamide-fastening rope Ø 4 mm as per DIN EN ISO 1140, color: white; 1 carabiner as per DIN 5299-C80; 1 ring, high-gloss galvanized, A 40 x 5, as per DIN 5296; 1 rope thimble as per DIN 6899; 2 wire rope clamps, oval; 1 adjustment element, galvanized, for adjusting the rope length

AS750X3

Ground anchoring set

3 x ground anchors:
400 mm long, hot-dip galvanized

EA400

– other models on request / subject to modification and errors –



MODELS:

Lamp	Output	Luminous Flux LED Panel	Dimensions (H x Ø)	Weight	Cable with Plug	Order No. 24 V AC	Order No. 42 V AC	Order No. 230 V AC*
LED-Panel	200 W	28.100 lm	590 x 270 mm	9,7 kg	5 m 10 m	- -	- -	LTL23200/5 LTL23200/10
	180 W	25.250 lm	850 x 270 mm	13,1 kg	5 m 10 m	LTL24180/5 LTL24180/10	LTL42180/5 LTL42180/10	- -
	400 W	55.450 lm		13,4 kg	5 m 10 m	- -	- -	LTL23400/5 LTL23400/10

* Smart Control on demand

SPECIALS FEATURES:

- mobile large area lighting → simple transport
- fast setup and dismantling → immediately usable
- 3-phase-switch protected on the bottom side → I = one-sided (50%)
0 = OFF
II = all-round (100%)
- passive cooling (maintenance-free) → dissipates heat in the interior via aluminum body
- impact protection from silicon-rubber edges → impact- and break-proof construction
- housing of satined polycarbonate → low wind load as a result of the cylindrical shape
- stands on the floor / tripod mounting / hanging → tripod connection for DIN pin (30 mm DIN 14640)
- IP 65 → dust and water proof
- vibration-proof according to DIN EN 60598-1 → suitable for rough operating conditions
- cables of INDUSTRIEFLEX® 07 HT → for special features visit www.elspro.de/en
- Smart Control for 230 V model on demand → intelligent remote control for LUMITOWER LED II via mobile app from a mobile phone or tablet

- other cable lengths and models on request / subject to modifications and errors -

ELSPRO LUMITOWER LED II



APPLICATIONS

Authorities and organizations with security tasks

- accident reports
- crime scene lighting
- fire investigations
- disaster operation

Industry / Handwork

- construction site lighting
- power plant inspections
- space illumination
- track bed illumination

Outdoor events

- sporting events
- film/theater



ACCESSORIES:

Tripod (detailed information on pages 7-9)



Type THW (S. 13.1)
TW7840SA
H 480 cm



Type IFW (S. 13.1)
TV7830SA
H 480 cm



Type BETA (S. 13.3)
TV7521SA
H 252 cm



Webbing incl. snap hook
LTL005

– other cable lengths and models on request / subject to modifications and errors –

ELSPRO Handheld Lamps





MODELS:

Voltage	Output	Cable with plug	Order Number
24 V AC/DC	CREE XPG 3 W LED	5 m 10 m	FL0324AS/5 FL0324AS/10

- Cables in INDUSTRIEFLEX® 07, ultra-fine wire, copper grade 6 -

SPECIAL FEATURES:

- rubber-insulated handgrip
 - on/off rocker switch with protective cap in grip
 - cable entry with cable screw connection and anti-bend spiral
 - flexible metal tube, chromium-plated
 - aluminum lamp head, 1-part
 - light toward the front via a polycarbonate plate, with 45° chamfer for lateral light
- lies firmly and secure in the hand
 - can be switched on and off directly on the lamp
 - wire breakage eliminated as far as possible, few repairs
 - enables illumination of difficult-to-access places
 - no wear and tear, no corrosion
 - enables glare-free work with optimal light output

Uses:

- quality control
- final inspections
- repairs
- trouble-shooting
- production
- installation and assembly

FIELDS OF USE:

everywhere in industry where illumination with conventional handheld lamps is not possible due to small openings

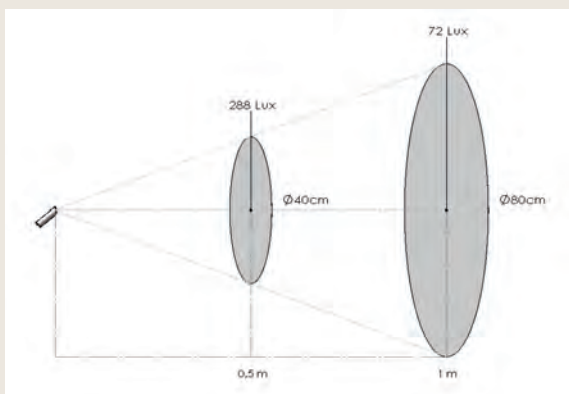
- other models on request / subject to modification and errors -



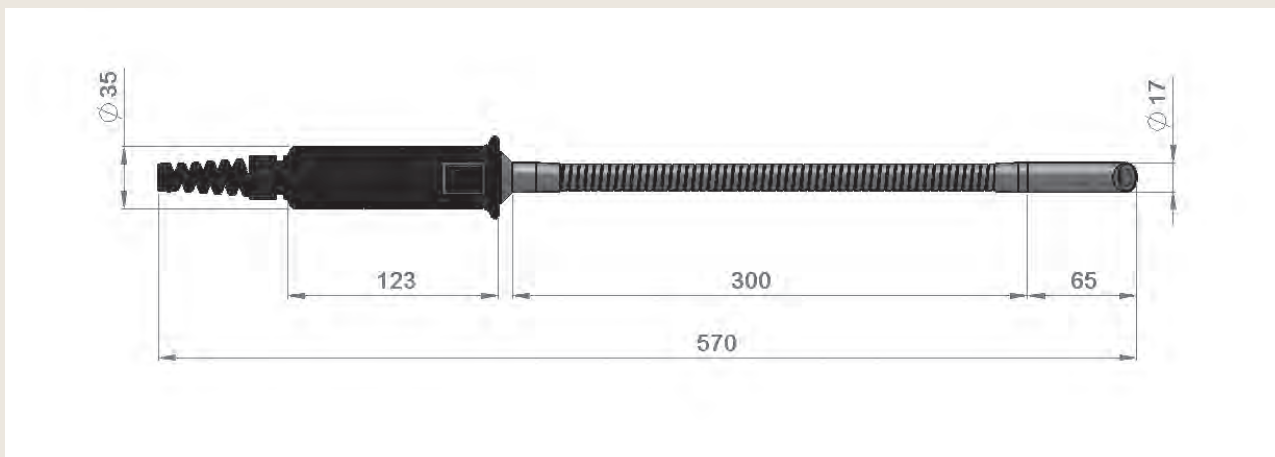
Leuchtenset

Lighting Set

Order No. **FLET2010**
 consisting of:
 1 mobile ELSPRO safety transformer in solid rubber housing of the series ESSEN 230 V / 24 V / 50 VA (order no. 3080114)
 1 LED vat and cavity lamp (order no. FL0324AS/5)



Dimensions (in mm):



– other cable lengths and other models on request / subject to modification and errors –

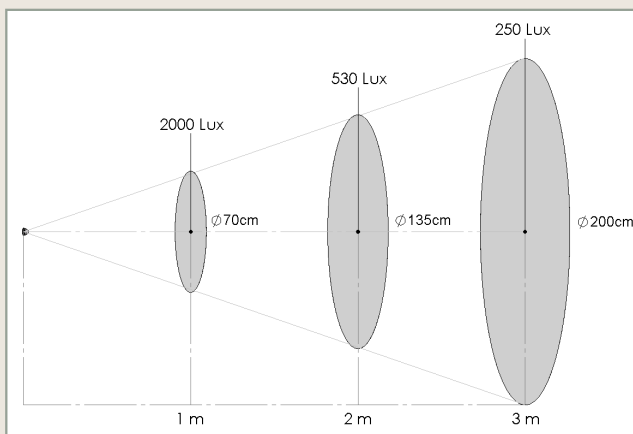


MODELS:

Voltage	Output	Cable with plug	Order Number
24 V AC/DC	9 W	5 m	S2009/5
		10 m	S2009/10
42 V AC/DC	9 W	5 m	S4009/5
		10 m	S4009/10

SPECIAL FEATURES:

- 9-watt LED behind an aspheric glass lens
- power consumption of maximum 12 watts
- housing of solid rubber
- low heat development as a result of extensively anodized heat link
- combination ON / OFF switch and push-button function
- high light output
- low energy input, low energy consumption, high effectiveness
- vibration-proof
- the lamp head does not become hot, even when operated continuously – NO BURNS
- can be switched on and off directly on the lamp



– other models on request / subject to modification and errors –



MODELS:

Voltage	Output	Cable with plug	Order Number
24 V AC/DC	100 W	5m 10m	S210/5 S210/10
42 V* AC	100 W	5m 10m	S410/5 S410/10

FEATURES:

- range 300 m (spotlighting)
- combination ON/OFF switch and key function
- cables in INDUSTRIEFLEX® 07 HT

* Please note: In the lamps with 42 V operating voltage, there is a phase angle control in the CEE plug, so please always use the original plug.

REPLACEMENT PARTS:

100 W light source

Combination switch

Protective rubber cap for S09

Order Number

S03

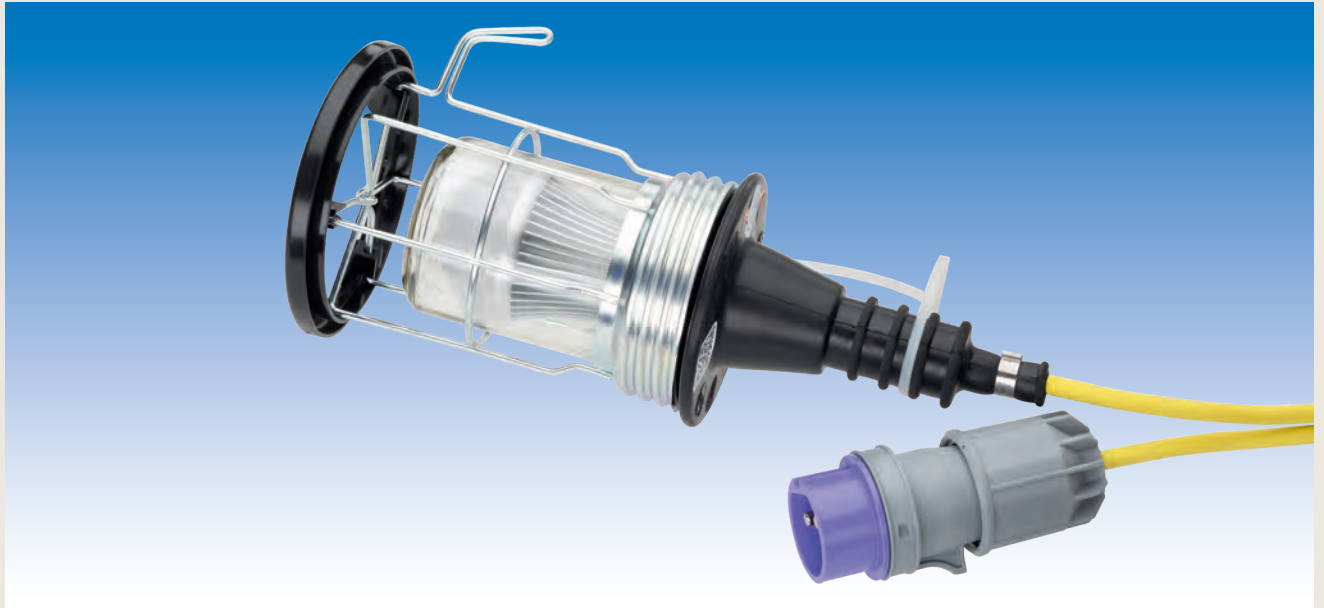
S09

S07

* Replacement plug for 42V mit inner phase angle control

S4212/PH

– other models on request / subject to modification and errors –



MODELS:

Voltage	Power	Cable with plug	Order number
24 V AC	10 W	5 m	L2410/5
		10 m	L2410/10
42 V AC		5 m	L4210/5
		10 m	L4210/10
110-230 V AC		5 m	L2310/5
		10 m	L2310/10

SPECIAL FEATURES:

- robust and bright
- protective hood with stable hook and rubber ring
- power supply cable INDUSTRIEFLEX® 07 HT
- Protection Class 2 or 3
- IP54 – dust- and splash-proof

ELSPRO LED Light Source



MODELS:

Voltage	Order Number
24 V AC/DC	LM.LED10/24B
42 V AC/DC	LM.LED10/42B
110 - 230 V AC	LM.LED10/230B

CHARACTERISTICS:

- 1.000 Lumen
- Luminous color white 6.000 Kelvin
- E27 socket
- 10 Watt

– other models on request / subject to modification and errors –



MODELS:

Voltage	Power	Cable with plug	Order number
24 V AC	50 W	5 m	L205/5
		10 m	L205/10
42 V AC		5 m	L405/5
		10 m	L405/10

SPECIAL FEATURES:

- robust and light
- Protective basket with sturdy hook and rubber ring
- Glass bulb with anti-glare protection
- Cables in INDUSTRIEFLEX® 07 HT
- Protection Class 3
- IP54 – dust- and splash-proof

SPARE PARTS

	Order number
Safety glass with reflector	L01
Protective basket	L02
Rubber handle	L03
Mount for halogen burner	A07
Halogen burner 50W 24V	H050
Halogen burner 50W 42V	H050/42

– Other versions on request / Subject to alterations and errors –



MODELS:

Light Source	Output	Luminous Flux	Length	Cable with Plug	Order No. 24 V AC/DC	Order No. 42 V AC/DC	Order No. 42 V AC	Order No. 230 V AC
25 Mid-Power LEDs	20 W	2.050 lm	614 mm	5 m 10 m	QL2405/5 QL2405/10	QL4205/5 QL4205/10	- -	- -
50 Mid-Power LEDs	40 W	4.100 lm	848 mm	5 m 10 m	- -	- -	QL4210/5 QL4210/10	- -
36 Mid-Power LEDs	12 W	2.100 lm	605 mm	5 m 10 m	- -	- -	- -	QL2312G/5 QL2312G/10
60 Mid-Power LEDs	18 W	3.060 lm	800 mm	5 m 10 m	- -	- -	- -	QL2318G/5 QL2318G/10

- cables INDUSTRIEFLEX® 07 HT -

SPECIAL FEATURES:

- IP55 - jet-water and dust-proof → SAFETY also when used in wet areas
- protective tube of polycarbonate 1,5 mm wall thickness, shock resistance IK10 → long service life, even when subjected to mechanical strain
- solid rubber grip and solid rubber end cap with suspension bracket of stainless steel V2A → the lamp lies slip-resistant and secure in the hand, can also be hung up draft-proof
- the MID-POWER LEDs emit a concentrated white wide-area light → ideal for illuminating at close range, e.g., in the case of inspections, repairs and final inspections
- very low heat development → no danger of injury resulting from burns in the case of direct physical proximity or even contact with the lamp
- the LEDs are vibration-resistant and have an expected service life of up to 50,000 hours → sudden total loss of all diodes is virtually excluded. Light does not shut off completely even at the end of service life. This characteristic means a great degree of operating safety
- low energy consumption, means small transformers with low output in the case of operating voltages of 24 V and 42 V → the transformers are light, easy to handle, and cost-effective
- an integrated electronic power supply unit continuously provides the LEDs in DC operation with constant current → this assures an extremely long service life with optimal light output

FEATURES AND QUALITIES:

- high-quality hard-shell diffusion filter already mounted in the factory
- produces homogeneous light
- simple snap-on mounting on support rail
- filter mounting/dismounting without tools
- conversion of the light to direct lighting by removing the filter




- other models on request / subject to modification and errors -

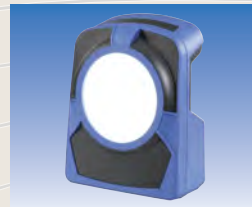


with hard-shell diffusion filter

- other models on request / subject to modification and errors -

ELSPRO Rechargeable and Battery Powered Lamps

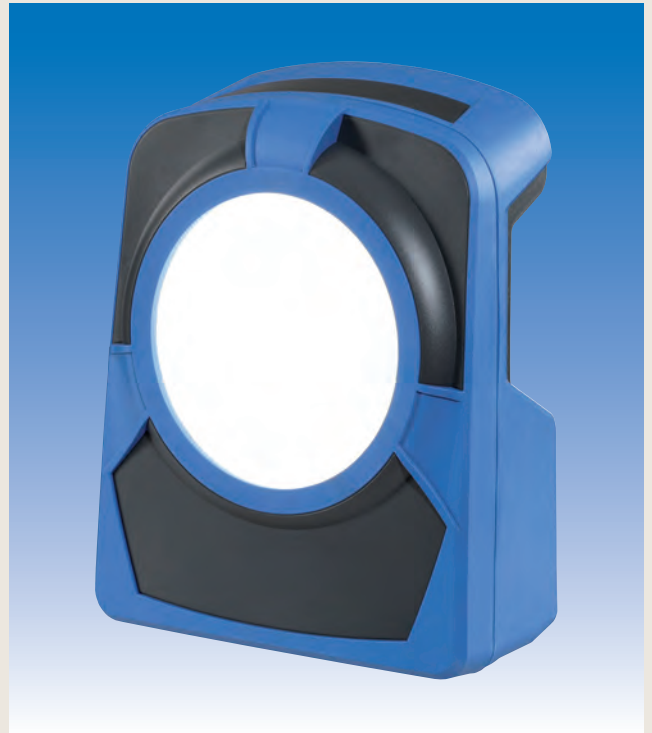
ATEX-approved Models
in Chapter 23 



The QV LED 28 Rechargeable is the robust panel luminary for mobile power-network-independent use.

SPECIAL FEATURES:

- Housing made of shockproof polycarbonate
- Edge guard made of soft, thermoplastic elastomer
- Handle made of shockproof ABS with 10 indexed positions for alignment
- Robust 2-step switch for 50 and 100 % light power
- LED panel with high light power rating: 4.500 Lumen at 100 % light power, 2.300 Lumen at 50 %
- Low heat generation
- Small space requirement due to flat and compact design
- Easy to transport; can be set up versatility and in many different positions
- Splashproof
- Delivery includes fast charger 230 V (QVLA01)

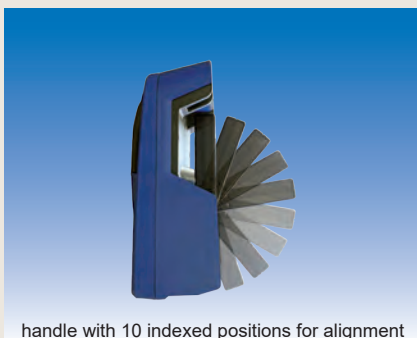


MODELS:

Type	Illuminant	Lumen LED Panel	Lighting Duration*	Battery	Charging Time	Colour	Dimensions in cm	Weight incl. Battery	Order No.
QV LED 28	1 LED panel	2.300 lm - 4.500 lm	3,0 - 6,0 h depending on mode	Li-Ion 14,4 V / 6,6 Ah	3,0 h	anthracite blue	L = 36,0 W = 28,0 H = 13,0	2,9 kg	QVLA2328

* maximum lighting duration per battery charge depending on the selected light power mode

ACCESSORIES (images on page 19.4):	Order No.
fast charger 230 V; 3 hours charging time	QVLA01
tripod type BETA 3	TV7521SA
basic mounting bracket for attaching the support bar	TV001
1-panel support bar	QVL001
2-panel support bar	QVL002
magnetic mount for 1 piece QV LED battery 28	QVL01M2



– other models on request / subject to modification and errors –

The QV LED Battery 60 is a robust high-performance work light for battery or mains operation.

FEATURES AND PROPERTIES:

- Robust powder-coated die-cast aluminium housing with rubberised edge and lens protection
- Small space requirement due to compact design
- Easy to transport thanks to rubberised carrying handle
- Display for charge status (100 - 10%) and light output (6,000 - 1,200 lm) on the back of the light
- 5-level dimming function (6,000 / 4,800 / 3,600 / 2,400 / 1,200 lm)
- Hybrid system: battery or mains operation possible
- integrated proximity sensor detects obstacles and switches the light off automatically → increased safety (Fig. 1)
- integrated power bank function (output 5V 1A) for charging mobile devices - Capacity 6,000 mAh (Fig. 2)
- Protection class IP 67 - dust and waterproof (Fig 3)
- Impact resistance IK 07 - impact-resistant and resistant to mechanical stress
- A continuously adjustable 180° swivelling base allows for a variable alignment of the light beam (Fig. 4)
- Base prepared for mounting the ELSPRO base holder with DIN pin receptacle Ø 30 mm (Order No. TV001/5) for tripod mounting of the light
- 120° beam angle for uniform area illumination
- Low charge warning by flashing
- with brightness memory function
- Fluorescent reflector integrated into the lens makes it easier to find the light in the dark (Fig. 5)
- Supplied including 230 V AC charging unit with 5 m mains cable type H05RN-F (Fig. 6)

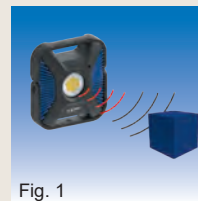


Fig. 1



Fig. 2



Fig. 3



Fig. 4

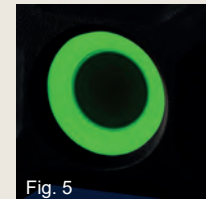


Fig. 5



Fig. 6

CONFIGURATIONS:

Type	Light source	Luminous flux	Duration of light*	Battery	Charging time	Colour	Dimensions in cm	Weight incl. battery	Order no.
QV LED battery 60	High-Power COB LED	6.000 - 1.200 lm	1,0 - 6,0 h depending on mode	Lithium-ion 10,8 V / 6,0 Ah	3,0 h - 4,0 h	black and blue	H = 21,3 W = 19,4 D = 7,0	2.600 g	QVLA60

* maximum light duration per battery charge depending on the selected mode

COMPONENTS AND ACCESSORIES:

COMPONENTS AND ACCESSORIES:	Order no.
Magnetic holder (stainless steel holding rail for clamp attachment with 2 holding magnets) for QV LED Battery 60	QVL.2MAG
ELSPRO base mount TV001 incl. DIN pin holder Ø 30 mm with mounting material for QV LED battery 60	TV001/5
DELTA 5 aluminium tripod with Ø 30 mm DIN pin - height 285 cm*	TV7741SA
SUPERGRIP type special holder - robust gripper clamp with Ø 30 mm DIN pin	TV7361

* You can find other suitable stands in tab 13 (LIGHT catalogue)

- Other configurations on request / Subject to changes and errors -

The QV LED Akku 20 is a very handy and lightweight high-performance work light for mobile, off-grid use.

FEATURES AND PROPERTIES:

- Robust powder-coated die-cast aluminium housing with rubberised edge and lens protection
- small footprint and easy to transport thanks to lightweight and compact design
- Display for charge status (100 - 20%) and light output (2,000 - 400 lm) on the back of the light
- 5-level dimming function (2,000 / 1,600 / 1,200 / 800 / 400 lm)
- Integrated power bank function (output 5V 1A) for charging mobile devices - Capacity 6,000 mAh (Fig. 1)
- Protection class IP 67 - dust and waterproof
- Impact resistance IK 07 - impact-resistant and resistant to mechanical stress
- 180° swivel base incl. 2 magnets allows variable alignment of the light beam (Fig. 2)
- 7 position locking stand for positioning incl. 1/4" thread for tripod mounting
- 120° beam angle for uniform area illumination
- Low charge warning by flashing
- with brightness memory function
- Fluorescent reflector integrated into the lens makes it easier to find the light in the dark (Fig. 3)
- Delivery includes 230 V AC charging unit



AUSFÜHRUNGEN:

Type	Light source	Luminous flux	Duration of light*	Battery	Charging time	Colour	Dimensions in cm	Weight incl. battery	Order no.
QV LED battery 20	High-Power-COB LED	2.000 - 400 lm	2.5 hours - 15.0 hours depending on the mode	Lithium-ion 7.2 V / 6.0 Ah	3.0 h - 4.0 h	black and blue	H = 12.1 W = 15.9 D= 4.7	950 g	QVLA20

* maximum light duration per battery charge depending on the selected mode



Fig. 1



Fig. 2



Fig. 3

- Other configurations on request / Subject to changes and errors -

The ELSPRO EPL40 is a multi-functional battery-powered light designed for a wide range of applications.

The EPL40 can be used as a hand-held work light with a COB LED and a light output of up to 350 lumens or as a handy torch with an additional HighPower LED on the top with 100 lumens. The front COB LED can be adjusted continuously between 10% and 100%.

Thanks to its flat design, the EPL40 can also be used horizontally, for example for inspection work. The magnetic base and the adjustable suspension hook with a stand function allow for a variable alignment of the light beam.

The light can be recharged in 2-3 hours via a USB-C port and be ready for the next working day



FEATURES AND PROPERTIES:

- Compact aluminium housing with rubberised surface around the lens for additional protection
- Protection type IP 54
- High-power COB LED 4 W and high-power LED SMD 3030 1 W for various applications
- multifunctional switch: continuously adjustable work light or flashlight function with longer battery life
- with brightness memory function
- integrated fluorescence reflector in both lenses facilitates finding the light in the dark.
- Low charge warning by flashing
- environmentally friendly and long-lasting Li-Polymer battery
- easy charging via USB-C interface, with integrated charging indicator
- delivery includes rechargeable battery and USB-C charging cable



CONFIGURATIONS:

Type	Light source	Luminous flux	Duration of light*	Battery	Charging time	Colour	Dimensions in cm	Weight incl. battery	Order no.
PROLED 4.0	High-Power-COB LED	350	2,0 h to 20,0 h depending on the mode	Lithium polymer	2 - 3 h	blue-black	H = 11,6 W = 4,4 D = 2,4	120 g	EPL40
	Hochleistungs-LED	100	3,5 h						

* maximum light duration per battery charge, the maximum light duration, and light output vary depending on the mode.

- Other configurations on request / Subject to changes and errors -



The ELSPRO ULTRA LED is a high-quality USB C cordless handheld light for flexible use. Five different light modes enable the user to efficiently adjust the ULTRA LED to the conditions at the place of use and individual lighting needs. With a light output of up to 12,000 lumens, the ULTRA LED is ultra bright!

FEATURES AND PROPERTIES:

- Anodized aluminium housing with rubberised protective rings
- 5 selectable light modes: 300 lm (low), 3,000 lm (medium), 7,000 lm (high), 12,000 lm (boost) and strobe mode (12,000 lm)
- Focusable light cone: continuous adjustment to spot or floodlight by turning the lamp head (lighting distance up to 200 m)
- Side multifunctional switch: 5 level adjustable light intensity, mode change, charge status display
- Low charge warning (< 25 min) via orange LED on the side
- Light colour 6,000K
- Colour rendering index CRI 80
- Protection class IP 65 - dust-tight and jet-proof
- Shock resistance IK 07 - impact-resistant and durable
- Integrated power bank function (output 5V 1A) - capacity 5,000 mAh USB A
- Easy charging via USB C port
- Delivery includes battery and USB C charging cable

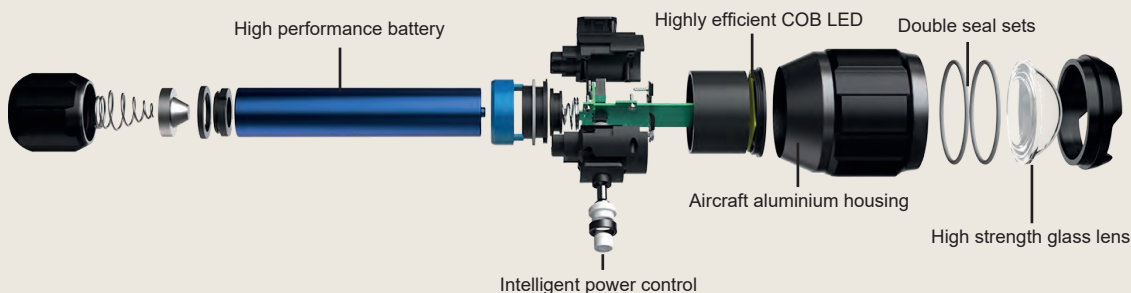


AUSFÜHRUNGEN:

Type	Light source	Luminous flux	Duration of light*	Battery	Charging time	Colour	Dimensions in cm (L x Ø)	Weight incl. Battery	Order no.
ULTRA LED	High-Power-COB LED	300 lm 3.000 lm 7.000 lm 12.000 lm	12,0 hours 3,0 hours 2,0 hours 30 sec Boost mode **	Lithium ion 7,4 V / 5.000 mAh	9,0 hours	blue-black	29,6 x 7,1	950 g	EUL120

* Maximum operating time per set of batteries

** Can be activated multiple times



– Subject to changes and errors –

The ELSPRO FOCUS LED 3.0 is a high-quality USB cordless handheld light for everyday use. The robust housing, made of T6 aircraft aluminium, the focusing system and powerful LED make the FOKUS LED 3.0 an ideal companion for quick use.

The handheld light is charged via a micro USB connection. The sophisticated design makes it possible to use the battery as a power bank. A flashing blue LED on the right side of the USB-C connection indicates the battery is charging. A red LED on the side indicates the battery level is low.

The ELSPRO FOCUS LED 3.0 can also be used as a battery-operated light with a battery holder and 3 size AAA alkaline batteries.



FEATURES AND PROPERTIES:

- Compact housing made of anodised T6 aircraft aluminium
- Protection type IP 54
- Light beam can be focused
- High light output
- Environmentally-friendly, long-lasting Li-ion battery
- Battery can be used as power bank 2200 mAh USB-C
- Multifunctional switch on the end cap for the settings: 100% / 40% / 10% / SOS function / strobe effect, with magnet
- Warning at low battery charge (< 30 min) via red LED on the side
- Scope of delivery: USB-C charging cable, power bank, battery holder without batteries, belt holster, hand loop



VERSIONS:

Type	Light source	Lumen	Operating time*	Battery / rechargeable battery	Charging time	Colour	Dimensions in cm (L x diam.)	Weight incl. battery	Order no.
FOCUS LED 3.0	LED	600 lm	5,0 h	Lithium-Ionen	2,5 - 3,0 h	black	14,9 x 3,5	197 g	LE10030
		400 lm	3,5 h	3 pc. AAA alkaline batteries	-				

* maximum operating time per battery charge or set of batteries

COMPONENTS AND ACCESSORIES:	Order no.
Hand loop for FOCUS LED 3.0	LE10020HL
Replacement battery for FOCUS LED 3.0	LE10020AK
Battery holder for FOCUS LED 3.0	LE10020BH
Alkaline-manganese battery size AAA 1.5 V (3 pc. required for the battery holder per light)	LX-ALK/AAA1,5V

– additional versions upon request / all rights reserved –

ATEX - Approved Lights



The ELSPRO work lamp WORKLITE MINI LYWL-50 was developed for use in extreme working environments and provides users with working light for many hours independent of power supply.

The WORKLITE MINI LYWL-50 is gas explosion-proof for zones 1 and 2 and dust explosion-proof for zones 21 and 22.

The high-power LEDs provide a concentrated area light, while at the same time providing excellent ambient lighting. Lighting duration in high-power operation is 5 hours. If the user wishes to operate the device in economy mode, the lighting duration per battery charge is increased to 10 hours!



FEATURES AND CHARACTERISTICS: :

- II 2 GD Ex e ib mb op is IIC T4 Gb Ex tb op is IIIC T135°C Db
- Protection class IP66/67
- Aluminium - die-cast housing
- Permissible ambient temperature: -20°C to +45°C
- 18 high-power light-emitting diodes with a lifetime of 100,000 operating hours
- Safety glass lens
- Selectable high performance or economy mode
- LED control display for monitoring the charge status
- Accessories: Polycarbonate protective screen for additional lens protection
- Delivery including charger and plug-in power supply 100 - 254 V AC

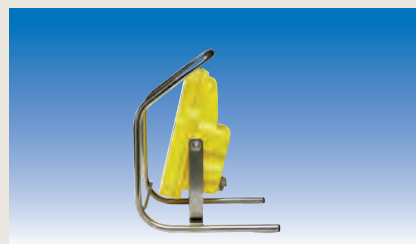


VERSIONS:

Type	Illuminant	Lumen	Lighting Duration*	Battery	Charging Time	Housing Material	Dimensions in cm H x W x D	Weight incl. Battery	Order No.
LYWL-50	18 High-Power-LEDs	up to 3,100	5.0 to 10.0 h	Gel lead battery (12V/10Ah)	8.0 h	Aluminium Die-casting	38.1 x 28.1 x 29.7	9.3 kg	LYWL-50

* maximum lighting duration per battery charge

COMPONENTS AND ACCESSORIES:	Order No.
Polycarbonate protective screens (PU = 3 pcs)	LYW-3130/3
Gel lead battery WORKLITE MINI LYWL-50 (10 Ah)	LYW-3200
Charger for WORKLITE MINI LYWL-50	LYWL-125



- other models on request / subject to modification and error -

The rechargeable hand lamp type LYH-251ALED complies with the provisions of the 94/9/EC directive for potentially explosive atmospheres.

Equipped with a high-power LED, the LYH-251ALED produces a penetrating beam of light with a far-reaching spot and achieves an extremely long light duration of 24 hours per battery charge.

Due to its technical characteristics, the LYH-251ALED is the ideal battery-operated hand lamp for use by fire brigades and in industrial areas with high demands in terms of explosion protection.



FEATURES AND CHARACTERISTICS:

- II 2GD Ex ib IIC T4 Gb (-10°C ≤ Ta ≤ +40°C)
Ex ib IIIB T170°C Db
gas zone 1, 2 / dust zone 21,22
- Protection class IP 66 - dust-proof and protected against water jets
- Very robust, resistant, anti-static thermoplastic housing
- Permissible ambient temperature: -10°C und +40°C
- Maximum surface temperature: 170°C
- 6 mm thick lens glass
- With emergency failure system
- Delivery includes detachable shoulder strap
- Versions with chargers for charging to 230 V AC or 12/24 V DC for direct connection available in the vehicle



SPECIAL FEATURES:

Type	Illuminant	Lumen	Lighting Duration*	battery	Charging Time	Colour	Dimensions in cm	Weight incl. Battery	Order No.
LYH-251ALED without LU	High-Power-LED:	210 lm	up to 18,0 h	Lead Battery 4.0 V 5.0 Ah	8.0- 24.0 h	black	L = 18.8 W = 13.2 H = 14.0	1,1840 g	LYH-251A-LED
incl. loading unit 230 V AC									LYH-223A-LED
incl. loading unit 12 V DC (direct connection)									LYH-212A-LED

* maximum lighting duration per battery charge
** duration per battery charge is depending on the voltage

COMPONENTS AND ACCESSORIES:	Order No.
High-Power-LED (3.75 V/ 1.0 W) for LYH-251ALED	LYH-79P
Loading unit 230 V AC for LYH-251ALED	LYC-251HVE
Loading unit 12 V DC (direct connection) for LYH-251ALED	LYC-251LV
Lead Battery for LYH-251ALED	LYH-66

- other models on request / subject to modification and error -

Due to their technical characteristics, WOLFLITE XT battery hand lamps are excellently suited for use in industrial areas with high demands regarding explosion protection. All three types feature high-power LEDs and can be used either in normal operation or in economy mode, which doubles the operating time per battery charge. A display integrated in the lamp housing informs the user about the current charge or battery status.



FEATURES AND CHARACTERISTICS:

- **XT-50/-70/90:**
 - ⊕ I M2/II 2GD Ex ib op is I Mb/IIC T4 Gb IP67
 - Ex ib op is IIIB T185°C Db (-30°C ≤ Ta ≤ +40°C)
- **XT-75:**
 - ⊕ II 1G2D Ex ia IIC T4 Ga Ex ib IIB T185°C Db
 - (-30°C ≤ Tamb ≤ +40°C) ⊕ I M1 Ex ia I Ma
- Protection class IP 67 – protected against ingress of dust and water
- Very robust, resistant, anti-static thermoplastic housing
- Permissible ambient temperature: -30°C und +40°C
- Scratch-resistant glass lens
- Emergency illumination power fail mode
- Integrated charging indicator
- Adjustable integral stand
- Delivery includes detachable shoulder strap
- Versions with chargers for charging to 230 V AC or 12/24 V DC



VERSIONS:

Type	Illuminant	Luminous flux	Lighting Duration*	Battery	Charging Time	Colour	Dimensions in cm	Weight incl. Battery	Order No.
XT-50 without LU	High-Power-LED: 1 x white spot	350 lm	4.0-8.0 h	Lithium-ion	2.0 h	black	L = 19.0 W = 12.0 H = 13.6	1,200 g	LYXT-50
incl. loading unit 230 V AC									LYXT-50H
incl. loading unit 12/24 V DC									LYXT-50L
XT-70 without LU	High-Power-LED: 1 x white spot 1 x white flood	350 lm	7.5-15.0 h	Lithium-ion	3.5 h	black	L = 19.0 W = 12.0 H = 13.6	1,200 g	LYXT-70
incl. loading unit 230 V AC									LYXT-70H
incl. loading unit 12/24 V DC									LYXT-70L
XT-75 without LU	High-Power-LED: 1 x white spot 1 x white flood	350 lm	7.5-15.0 h	Lithium-ion	3.5 h	black	L = 19.0 W = 12.0 H = 13.6	1,200 g	LY2XT-75
incl. loading unit 230 V AC									LY2XT-75H
incl. loading unit 12/24 V DC									LY2XT-75L
XT-90 without LU	High-Power-LED: 1 x white spot 1 x white flood 1 x green signal 1 x red signal	350 lm	11.0-22.0 h	Lithium-ion	4.5 h	black	L = 19.0 W = 12.0 H = 13.6	1,200 g	LYXT-92S
incl. loading unit 230 V AC									LYXT-92SH
incl. loading unit 12/24 V DC									LYXT-92SL

* maximum lighting duration per battery charge depending on the selected light power mode

- other models on request / subject to modification and error -



COMPONENTS AND ACCESSORIES:	Order No.
Lamp modul (reflector and LEDs) for WOLFLITE XT-50	LYXT-210
Lamp modul (reflector and LEDs) for WOLFLITE XT-70 and XT-75	LYXT-220
Lamp modul (reflector and LEDs) for WOLFLITE XT-90	on request
Loading unit 230 V AC for WOLFLITE XT series	LYXT-200H
Loading unit 12/24 V DC for WOLFLITE XT series	LYXT-200L
Lithium-ion battery for WOLFLITE XT-50	LYXT-202
Lithium-ion battery for WOLFLITE XT-70 and XT-75	LYXT-204
Lithium-ion battery for WOLFLITE XT-90	LYXT-206
Shoulder strap for WOLFLITE XT series	LYH-35SB

The rechargeable hand lamp LYR is a perfectly thought-out lamp. Designed for use in potentially explosive areas, it also has a power failure monitor: the LYR hand lamp is hooked into the charger when switched on. As soon as the charging process starts, the light goes out. A sudden power failure causes the battery light in the charger cradle to switch on automatically.

The practical charger cradle enables the lamp to be grasped quickly, even when wearing thick gloves (one-hand technique).

The sturdy clip on the lamp head allows the LYR to be securely attached to belts, clothing, belts, etc. You can use the lamp while working, as both hands remain free!



FEATURES AND CHARACTERISTICS:

- Protection class IP 67 - protected against ingress of dust and water
- Permissible ambient temperature: -40 °C and +40 °C
- Maximum surface temperature: 200 °C
- Robust, skid-resistant lamp housing made of anti-static thermoplastic, 90° angled lamp head
- With high-power LED
- Additional protection against impact by rubber rings on lamp head and end cap
- Adjustable economy mode by double switch actuation
- Charging options: at 230 V AC und 12 V / 24 V DC
- Charge status display via LED technology
- **LYR-50:** I M2/II 2GD Ex ib op is I Mb/IIC T4 Gb (-40°C < Ta < +40°C) Ex ib op is IIIB T200°C Db
- **LYR-55:** I M1/II 1G2D Ex ia I Ma/IIC T4 Ga (-20°C / -30°C / -40°C ≤ Ta ≤ +40°C) Ex ib IIIB T200°C Db



VERSIONS:

Type	Illuminant	Luminous flux	Lighting Duration*	Battery	Charging Time	Colour	Dimensions in cm	Weight incl. Battery	Order No.
LYR-50 without loading unit	LED 3 W	up to 243 lm	3.5 h normal operation	Lithium-Ion (7.4 V / 2.4 Ah)	3.0 h	yellow	W = 8.0 L = 19.5	375 g	LYR-50
with loading unit 230 V AC			6.5 h economy mode						LYR-50H
with loading unit 12V/24V DC			LYR-50L						
LYR-55 without loading unit	LED 3 W	up to 243 lm	3.5 h normal operation	Lithium-Ion (7.4 V / 2.4 Ah)	3.0 h	yellow	W = 8.0 L = 19.5	375 g	LY2R-55
with loading unit 230 V AC			6.5 h economy mode						LY2R-55H
with loading unit 12V/24V DC			LY2R-55L						

* maximum lighting duration per battery charge

- other models on request / subject to modification and error -



COMPONENTS AND ACCESSORIES:	Order No.
Lithium-ion-battery for LYR series	LYR-271
Battery case for LYTR-40+, LYR-50 and LYR-55 with charge status indicator (for 4 alkaline batteries size AA 1,5 V) Please use only approved primary cells for T4 temperature class.	LYTP-280
Battery case for LYTR-40+, LYR-50 and LYR-55 with charge status indicator (for 4 alkaline batteries size AA 1,5 V) Please use only approved primary cells for T4 temperature class.	LYTP-282
Lamp holder without electronics for storing the LYR and LYTR series	LYRC-460
Charging bracket for LYR series	LYRC-200
Plug transformer 230 V AC	LYRC-300
Charging cable 12 V DC for direct connection	LYRC-452
Charging cable 12 V DC connector for cigarette lighter	LYRC-454

The heavy-duty hand lamps of the LYT series are especially suitable for use in hazardous areas.

In contrast to the LYTS models, all LYTR versions have a 90° angled lamp head and a sturdy carrying clip so they can be easily attached to a belt or other garments. This ensures good lighting conditions and at the same time free hands when working.

FEATURES AND CHARACTERISTICS:

- Dust and waterproof
Protection class IP67: models LYT-30+ and LYT-35+
Protection class IP66/67: models LYTR-60 and LYTR-65
- Wear-resistant, antistatic thermoplastic housing
- Tempered glass lens; LYTR-60: polycarbonate lens
- LYTR-65: 3 selectable light modes
- Red signal LED indicates low battery power (with the exception of model LYTR-60)
- **LYTS-30+:**
 I M2/II 2 GD Ex ib op is I Mb/IIC T4 Gb
 (-20°C ≤ T_a ≤ +40/55°C) Ex ib op is IIIB T130°C Db
- **LYTR-30+:**
 I M2/II 2 GD Ex ib op is I Mb/IIC T4 Gb
 (-30°C ≤ T_a ≤ +40/55°C) Ex ib op is IIIB T130°C Db
- **LYTS-35+:**
 II 2 D Ex ib IIIB T130°C Db Ex I M1/II1G Ex ia I Ma/IIC T4 Ga (-20°C < T_a < +40°C)
- **LYTR-35+:**
 II 2D Ex ib IIIB T130°C Db Ex ia I Ma/IIC T4 Ga
 (-30°C ≤ T_a ≤ +40°C)
- **LYTR-60:**
 I M2/II 2 GD Ex ib I Mb/IIC T3/T4 Gb
 (-30°C ≤ T_a ≤ +40°C) Ex ib IIIB T200°C Db
- **LYTR-65:**
 I M1/II 1G 2D Ex ia I Ma/IIC T3/T4 Ga
 (-30°C ≤ T_a ≤ +40°C) Ex ib IIIB T200°C Db



Type	permissible ambient temperature	maximum surface temperature (dust)
LYTS-30+	-20°C to +40/55°C	+130°C
LYTR-30+	-30°C to +40/55°C	+130°C
LYTS-35+	-20°C to +40/55°C	+130°C
LYTR-35+	-30°C to +40/55°C	+130°C
LYTR-60	-30°C to +40°C	+200°C
LYTR-65	-30°C to +40°C	+200°C

AUSFÜHRUNGEN:

Type	illuminant	Luminous flux	Lighting Duration*	Battery	Colour	Dimensions in cm W x L	Weight incl. Battery	Order No.
LYTS-30+	LED-Module	up to 130	14.0 h + 3.0 h economy mode	2 pcs alkaline battery size D /1.5 V (LR20)	yellow	6.0 x 20.0	475 g	LYTS-30+
LYTR-30+						8.0 x 19.5	500 g	LYTR-30+
LYTS-35+						6.0 x 20.0	475 g	BH2L010
LYTR-35+						8.0 x 19.5	500 g	BH2L009
LYTR-60		200	9.0 h	4 pcs alkaline battery size AA /1.5 V (LR6)		7.5 x 17.6	330 g	BHL024
LYTR-65		up to 300	7.0 h to 14.0 h depending on mode			7.5 x 17.6	330 g	BHL025

* maximum lighting duration per battery charge

- other models on request / subject to modification and error -

FEATURES AND CHARACTERISTICS:

- Protection class IP 67: dust- and waterproof
- Wear-resistant, anti-static thermoplastic housing
- LYTR: hardened glass lens
- LYTS: polycarbonate lens
- **LYTS-24B:**
 II 2GD Ex eb ib IIB T4 Gb
 Ex tb IIIC T95°C Db (-10°C < Ta < +40/55°C)
- **LYTR-24B:**
 II 2GD Ex eb ib IIB T4 Gb
 Ex tb IIIC T95°C Db (-20°C < Ta < +40/55°C)
- **LYTS-26B:**
 II 2GD Ex eb ib IIB T6 Gb
 Ex tb IIIC T65°C Db (-10°C < Ta < +40°C)
- **LYTR-26B:**
 II 2GD Ex eb ib IIB T6 Gb
 Ex tb IIIC T65°C Db (-20°C < Ta < +40°C)



Type	permissible ambient temperature	maximum surface temperature (dust)
LYTS-24B	-10°C to +40/55°C	95°C
LYTR-24B	-20°C to +40/55°C	95°C
LYTS-26B	-10°C to +40°C	65°C
LYTR-26B	-20°C to +40°C	65°C

VERSIONS:

Type	Illuminant	Lumen	Lighting Duration*	Battery	Colour	Dimensions in cm W x L	Weight incl. Battery	Order No.
LYTS-24B	Xenon 2.4 V / 0,7 A	16	12.0 h	2 pcs alkaline battery size D / 1.5 V (LR20)	yellow	6.0 x 20.0	450 g	BHL008
LYTR-24B						8.0 x 19.5	490 g	BHL007
LYTS-26B	Vacuum 2.4 V / 0.5 A	11.4	5.0 h	2 pcs zinc-carbon battery size D / 1.5 V (R20)	yellow	6.0 x 20.0	350 g	BHL006
LYTR-26B						8.0 x 19.5	390 g	BHL005

* maximum lighting duration per battery charge

COMPONENTS AND ACCESSORIES:	Order No.
Xenon replacement lamps in twin pack for LYTS-24B and LYTR-24B	LYTP-404P
Vacuum replacement lamps in twin pack for LYTS-26B and LYTR-26B	LYTP-406P
LED installation module for LYT-24 series, LYT-30+ and LYT-35+	LYTP-300
Alkaline battery size D 1.5 V for LYT-24 series, LYT-30- and LYT-35 series (2 pcs per lamp required)	LX-ALK/D1,5V
Zinc-carbon battery size D 1.5 V for LYT-26 series (2 pcs per lamp required)	LYT-20



- other models on request / subject to modification and error -

FEATURES AND CHARACTERISTICS:

- Wear-resistant, anti-static thermoplastic housing with scratch-resistant polycarbonate lens
- Protection class IP 67 – protected against ingress of dust and water
- LED technology
- Handy end cap switch for instantaneous and continuous operation, M-85 with pressure switch behind the lamp head for easy operation even with gloves
- Sturdy clip for attaching the lamp to clothing, for example, M-85 with anti-roll base
- Explosion-proof light-weight hand lamps for flexible use according to the following approval codes:
 - **LY2M-10:** Ex I M1/II 1G/II2D Ex ia I Ma/II C T5 Ga (-40°C < T_a < +50°C) Ex ib IIIB T95°C Db IP67
 - **LY2M-40:** Ex I M1/II 1G/II 2D Ex ia I Ma/II C T4 Ga (-40°C ≤ T_a ≤ +50°C) Ex ib IIIB T125°C Db IP67
 - **LY2M-60:** Ex I M1/II 1G/II 2D Ex ia I Ma/II C T4 Ga (-40°C ≤ T_a ≤ +50°C) Ex ib IIIB T130°C Db IP67
 - **LY2M-85:** Ex I M1/II 1G 2D Ex ia I Ma Ex ia IIC T3/T4 Ga Ex ib IIIB T200°C Db



VERSIONS:

Type	Illuminant	Luminous flux	Lighting Duration*	Battery	Colour	Dimensions in cm L x Ø	Weight incl. Battery	Order No.
MICRO M-10	1 LED	24 lm	2.0 h	4 pcs button cell battery size LR44	yellow	7.0 x 2.2	25 g	LY2M-10
MINI M-40	3 LED	44 lm	10.0 h full power	3 pcs alkaline battery size N		14.5 x 2.2	60 g	LY2M-40
MINI M-60	1 watt CREE LED	up to 139 lm	up to 3.0 h	3 pcs alkaline battery size N		14.5 x 2.2	60 g	LY2M-60
MIDI M-85	High-Power-LED	up to 210 lm	up to 7.0 h	4 pcs alkaline battery size AA		17.0 x 4.5	190 g	LY2M-85

* maximum lighting duration per battery charge

COMPONENTS AND ACCESSORIES:	Order No.
Helmet holder for Centurion helmets and helmets with Euro 30 slot for the models M-40 and M-60	LYM-660
Helmet holder for Centurion helmets and helmets with Euro 30 slot for the model LYM-85	LYM-680
Nylon belt holder black for the model LYM-85	LYM-681
Alkaline batteries type LR44 / AG 13 (pack of 2 pcs) for the model M-10 (4 pcs per lamp required)	LZ-AG13
Alkaline battery size N 1.5 V for the models M-40 and M-60 (3 pcs per lamp required)	LX-ALK/N1,5V
Alkaline battery size AA 1.5 V for the model M-85 (4 pcs per lamp required)	LX-ALK/AA1,5V

- other models on request / subject to modification and error -

Small, but mighty: The robust, compact LYM-70 compact mini battery light can easily be stored in a pocket. Despite its small format, it achieves impressive lighting performance of 107 lumens thanks to modern LED technology.

According to its approval code, the LYM-70 is ATEX certified for safe use in potentially explosive gas, vapour, mist and dust atmospheres. It is also approved for use in mining operations according to group I.

FEATURES AND PROPERTIES:

- Wear-resistant, non-conductive thermoplastic housing with scratch-resistant polycarbonate lens
- Protection class IP 67 – protected against the ingress of dust and water
- State-of-the-art LED technology
- Practical end cap switch for momentary and continuous operation
- Robust clip for attaching the light to clothing, for example
- Explosion-protected, lightweight handheld light for flexible use according to the following approval codes:

Ex I M1/II 1GD Ex ia I Ma / IIC T4 Ga
 (-20°C ≤ Ta ≤ +40°C) Ex ia IIIC T200 160°C Da

- Gas zone 0, 1, 2
- Dust zone 20, 21, 22



VERSIONS:

Type	Light source	Luminous flux	Operating time*	Battery	Colour	Dimensions in cm L x diam.	Weight incl. batt.	Order no.
MINI M-70	1 high power CREE LED	107 lm	7,0 h	2 pc. AAA alkaline-manganese batteries	yellow	14,6 x 2,2	50 g	LYM-70

* maximum operating time per set of batteries

COMPONENTS AND ACCESSORIES:	Order no.
Helmet bracket for Centurion helmets and helmets with euro 30 slot for LYM-70	LYM-660
Alkaline-manganese battery size AAA 1.5 volt for model M-70 (2 pc. required per light)	LX-ALK/AAA1,5V

The LYHT-400Z0 and LYHT-650 head and helmet lamps have been specially designed for use in potentially explosive atmospheres.

Both models are approved for zones 0, 1, 2, 20, 21 and 22. Due to its light ergonomic design, the LYHT lamp is very comfortable to wear.

An adjustable headband makes it possible to carry the lamp directly on the head. Four helmet clips can be used to attach the LYHTs to protective and safety helmets. The LYHT lamps therefore always provide good lighting conditions without hindering the user at work.

FEATURES AND CHARACTERISTICS:

- Explosion-proof according to the following approval codes :
LY2HT-650:
 ⓧ I M1/II 1G Ex ia I Ma/IIIC T4/T3 Ga Ex II 2D
 Ex ib IIIB T155°C Db
LY2HT-400Z0:
 ⓧ II 1G Ex ia IIC T4 Ga II2D Ex ib IIIB T125°C Db
- Protection class IP 66
- High wear comfort due to light ergonomic design
- Robust, anti-static thermoplastic housing
- Permissible ambient temperature: -20°C to +40°C
- Scratch-resistant polycarbonate lens
- Wide beam point light with homogeneous environment
- High light output up to 75 or 130 lumen
- Adjustable elastic headband



LYHT-650

LYHT-400Z0

VERSIONS:

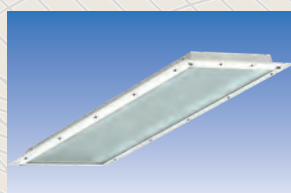
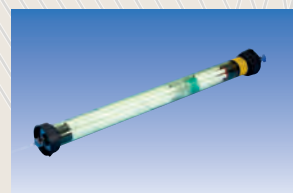
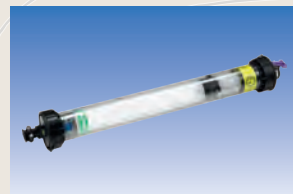
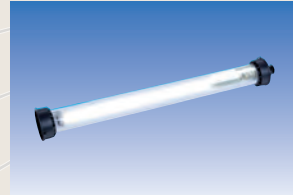
Type	Illuminant	Lumen	Lighting Duration*	Battery	Colour	Dimensions in cm H x W x L	Weight incl. Battery	Order No.
LYHT-400Z0	High-Power-LED	up to 75	up to 8.5 h	3 pcs alkaline battery size AAA	yellow	7.5 x 4.2 x 4.4	90 g	LY2HT-400Z0
LYHT-650	High-Power-LED	up to 130	up to 17.0 h	3 pcs alkaline battery size AA	black	8.4 x 5.2 x 5.6	180 g	LY2HT-650

* maximum lighting duration per battery charge

COMPONENTS AND ACCESSORIES:	Order No.
Alkaline battery size AAA / 1.5 V for the model LYHT-400Z0 (3 pcs per lamp required)	LX-ALK/AAA1,5V
Alkaline battery size AA / 1.5 V for the model LYHT-650 (3 pcs per lamp required)	LX-ALK/AA1,5V

- other models on request / subject to modification and error -

Line and stationary luminaires - ATEX





LYWF-300XL with optional stainless steel support frame

VERSIONS:

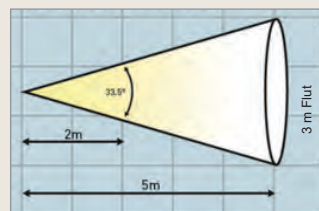
Voltage Input	Illuminant	Lumen	Cable	Order No.	
				without frame	with frame
230 V AC	36 pcs High-Power-LED	6,378 lm	without	LYWF-300H/-	-
			10 m SL07HT 3 G 2.5 mm ²	-	LYWF-300HG/10

- device connecting cables INDUSTRIEFLEX® 07 HT -

- + The version with supply cable is optionally available with a steel or CEAG plug on the input side upon request.
- + The 230 V version is optionally available with 1 steel or CEAG built-in socket on the rear output side upon request.

FEATURES AND CHARACTERISTICS:

- Robust aluminum housing, plastic powder-coated
- Hardened glass lens
- 2 independent modules with 18 LEDs each
- Explosion-proof:
 - ⊕ Ex II 2 G D Ex eb mb op is IIC T4 Gb
 - ⊕ Ex tb op is IIIC T118°C Db T= -40°C bis +55°C
- Protection class IP 66/67
- Ambient temperature -40 bis +55 °C
- Dimensions housing (DxWxH) approx. 370x280x480 mm
- Weight (without rack/cable) 5.50 kg
- Optional frame and protective grille made of stainless steel
The version without frame is supplied with mounting bracket for assembly.
- Indication function (flashing mode) as soon as the lamp is not operated within the permissible voltage range.
- Lifetime \geq 100.000 operating hours



- other models on request / subject to modification and error -



magnet set LYWF-545



safety mesh LYWF-480



scaffold attachment kit LYWF-699

COMPONENTS AND ACCESSORIES:	Order-No.
Tripod medium for LYWF-300XL	LYLL-699
Tripod heavy for LYWF-300XL	LYLL-668
"Z" bracket and bolts for tripods LYLL-668 and LYLL-699	LYLL-669
safety mesh made of V2A steel for LYWF-300XL*	LYWF-480
Magnet set (4 pcs magnets) for LYWF-300XL*	LYWF-545
Scaffold attachment kit for LYWF-300XL*	LYWF-699
Front protective cover 1 piece for LYWF-300XL	LYWF-421
Front protective cover 3 pieces for LYWF-300XL	LYWF-421/3

* Attention: to be used for versions **with frame** only

Ex Trough Light EXTRA-EX-LED - Zone 1, 21



MODELS:

Voltage input	Power	Lumen	T _a max	Outputs	Dimensions	Weight	Order no.
230 V AC	28 W	3,139 lm	≤+50°C	2P+E	670x155x105 mm	3.4 kg	EXTRA-EX-28
	53 W	6,561 lm			1,280x155x105 mm	5.6 kg	EXTRA-EX-53

- Models with emergency power on request -

SPECIAL FEATURES:

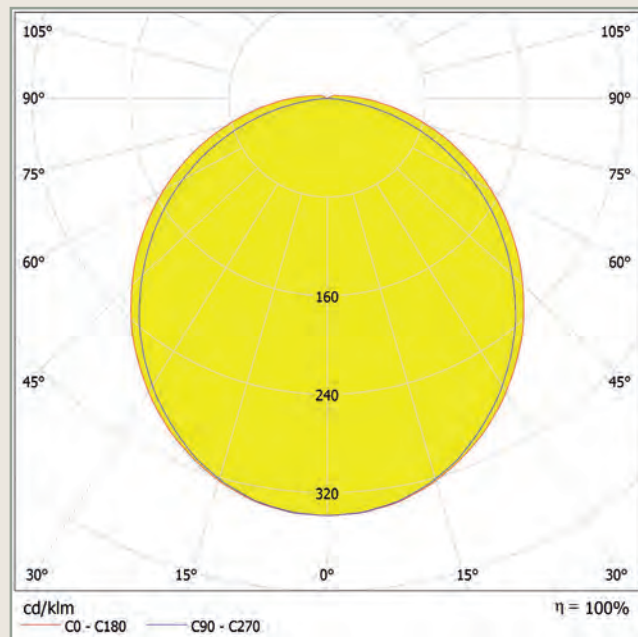
- High-power LED with up to 112 / 124 lm/W. → High light output
- Light colour 4,000 K. → Neutral white (3,000 K/ 6,000 K on request)
- CRI +80 → High colour rendering index
- Power factor 0.98
- Lifetime L80B50 ta30 - up to 60,000 hours → Proven longevity
- Ex II 2G Ex eb mb op is IIC T4 Gb → ATEX certificate FTZÚ 16 ATEX 0167X
- Ex II 2D Ex tb op is IIIC T67°C Db
- Gas Zone 1
- Dust Zone 21
- Polycarbonate housing and cover → IK10, resistant to mechanical stress (protection against impacts with an impact energy of up to 20 joules)
- Direct mounting by means of fixing clamp and self-locking rope suspension, holder for boom, wire suspension or wall mounting angle 45° → Easy installation on the ceiling or wall of the room to be illuminated
- Cable gland M20 → Line diameter of 7-12 mm
- Protection class 1
- IP66 → Dust and splash protection
- Ambient temperature: -20°C ≤ T_a ≤ +50°C → Use even with large temperature fluctuations
- silicone-free → Free of paint wetting-interfering substances

- Further models on request / subject to change and error -

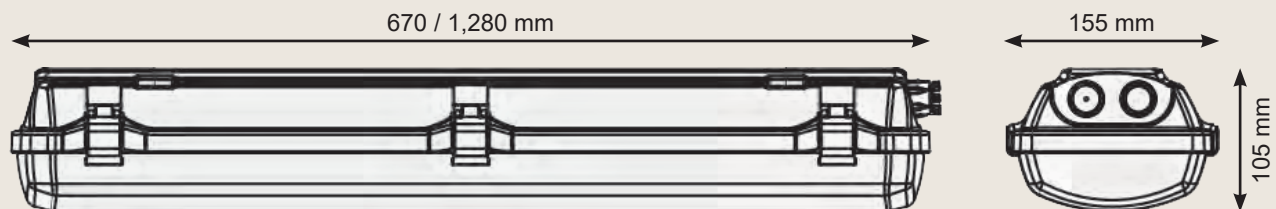
Ex Surface Light
EXTRA-EX-LED - Zone 1, 21



LIGHT EMISSION:



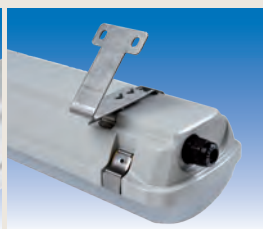
DIMENSIONS:



ACCESSORIES:



Wire bracket for chain suspension (without chain)
EXV005



Set of 45° metal brackets for wall mounting (2 pcs.)
EXV006



Self-locking cable suspension (3 m)
EXV007



Clamp for mounting on a boom with Ø 50 mm
EXV008

– Further models on request / subject to change and error –

Ex Surface Light PITBUL-EX-LED - Zone 1, 21



MODELS:

Voltage input	Power	Lumen	T _a max	Outputs	Dimensions	Weight	Order no.
230 V AC	30 W	3,373 lm	≤+60°C	2P+E	703x310x142 mm	7.7 kg	PITBUL-EX-LED-30
	51 W	6,663 lm	≤+55°C		703x369x142 mm	10.3 kg	PITBUL-EX-LED-51
	53 W	6,742 lm	≤+60°C		1,313x310x142 mm	15.1 kg	PITBUL-EX-LED-53
	102 W	13,447 lm	≤+55°C		1,313x369x142 mm	19.4 kg	PITBUL-EX-LED-102

- Models with emergency power on request -

SPECIAL FEATURES:

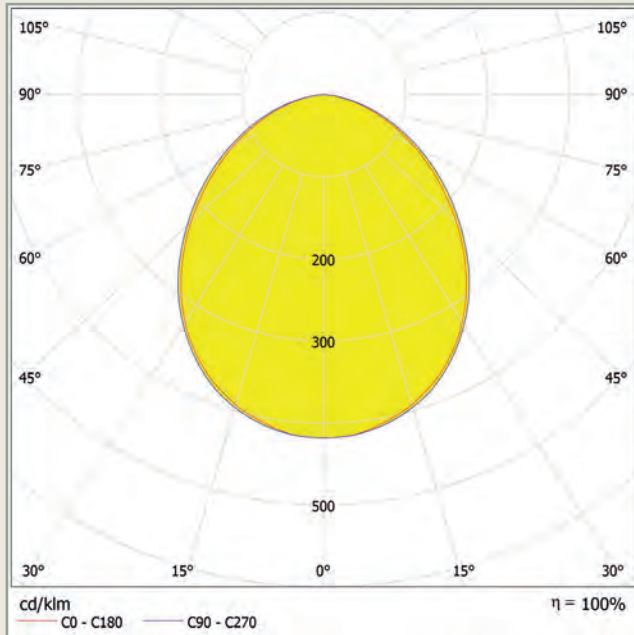
- High-power LED with 112 / 127 / 131 / 132 lm/W
 - Light colour 4,000 K.
 - CRI +80
 - Power factor 0.98
 - Lifetime
 - L80B50 ta55 - up to 50,000 hours (51 / 102 W)
 - L80B50 ta60 - up to 50,000 hours (30 / 53 W)
 - Ex II 2G Ex eb mb op is IIC T4 Gb
 - Ex II 2D Ex tb op is IIIC T67°C Db
 - Gas Zone 1
 - Dust Zone 21
 - White sheet steel housing with hardened opal safety glass
 - Direct mounting with suspension eyes, mounting frames, ceiling brackets or outriggers, screwed on the sides of the housing
 - Cable gland M20
 - Protection class 1
 - Version without disconnecter
 - IP65
 - Ambient temperature: -40°C ≤ T_a ≤ see table
 - silicone-free
- High light output
 - Neutral white (3000 K/ 6000 K on request)
 - High colour rendering index
 - Proven longevity
 - ATEX certificate FTZÚ 16 ATEX 0089X
 - IK07, resistant to mechanical stress (protection against impacts with an impact energy of up to 2 joules)
 - Easy installation on the ceiling or wall of the room to be illuminated
 - Line diameter of 7-12 mm
 - Dust and splash protection
 - Use even with large temperature fluctuations
 - Free of paint wetting-interfering substances

- Further models on request / subject to change and error -

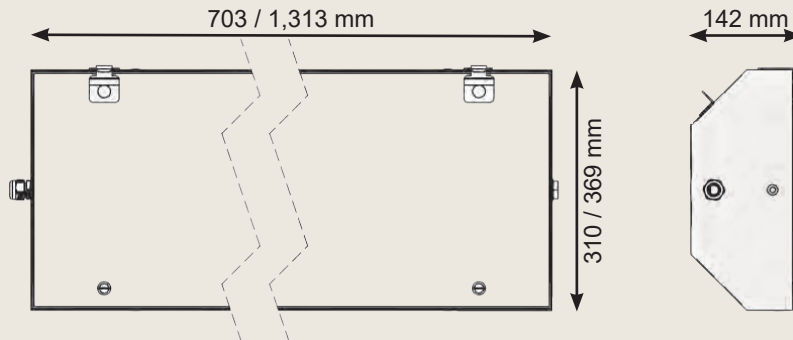
Ex Surface Light
PITBUL-EX-LED - Zone 1, 21



LIGHT EMISSION:



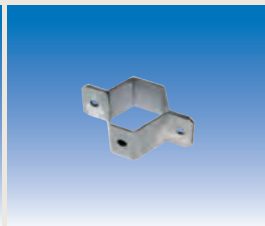
DIMENSIONS:



ACCESSORIES:



Set of outriggers for mounting via the housing head sides
EXV001



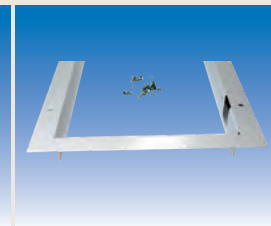
Clamp for mounting on a boom with Ø 50 mm
EXV002



Set of stainless steel ceiling brackets (2 pcs.)
EXV003



Hanging eye (1 pcs.)
EXV004



PITBUL mounting frame
EXV015 (-30)
EXV016 (-51)
EXV017 (-53)
EXV018 (-102)

– Further models on request / subject to change and error –

Ex Tube Light EXTRA-EX-LED - Zone 1, 21



MODELS:

Voltage input	Power	Lumen	T _a max	Models	Outputs	Dimensions	Weight	Order no.
230 V AC	28 W	3,061 lm	≤+50°C	Without power switch	2P+E	1,149 x Ø 70 mm	2.9 kg	AQUA-EX-28-OT
	51 W	5,985 lm				1,709 x Ø 70 mm	4.7 kg	AQUA-EX-51-OT
	28 W	3,061 lm		With power switch		1,149 x Ø 70 mm	2.9 kg	AQUA-EX-28-T
	51 W	5,985 lm				1,709 x Ø 70 mm	4.7 kg	AQUA-EX-51-T

SPECIAL FEATURES:

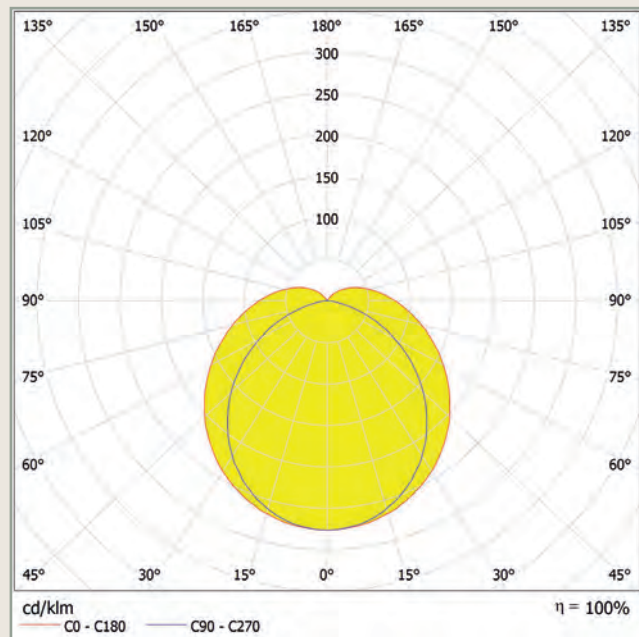
- High-power LED with 109 / 117 lm/W. → High light output
- Light colour 4,000 K. → Neutral white (3,000 K/ 6,000 K on request)
- CRI +80 → High colour rendering index
- Power factor 0.98
- Lifetime L80B50 ta30 - up to 45,000 hours → Proven longevity
- ATEX certificate FTZÚ 16 ATEX 0052X AQUA-EX-28-OT / AQUA-EX-51-OT → Ex II 2G Ex eb mb op is IIC T4 Gb
→ Ex II 2D Ex tb op is IIIC T62°C Db
- ATEX certificate FTZÚ 16 ATEX 0052X AQUA-EX-28-T / AQUA-EX-51-T → Ex II 2G Ex db eb mb op is IIC T4 Gb
→ Ex II 2D Ex tb op is IIIC T62°C Db
- Gas Zone 1
- Dust Zone 21
- Polycarbonate tube with 4 mm wall thickness → IK10, resistant to mechanical stress (protection against impacts with an impact energy of up to 20 joules)
- Direct mounting using mounting clamps (not included) or suspension → Easy installation on the ceiling or wall of the room to be illuminated
- Cable gland M20 → Line diameter of 7-13 mm
- Protection class 1
- IP66 / IP 68 → Dust and splash protection
- Ambient temperature: -20°C ≤ T_a ≤ +50°C → Use even with large temperature fluctuations

– Further models on request / subject to change and error –

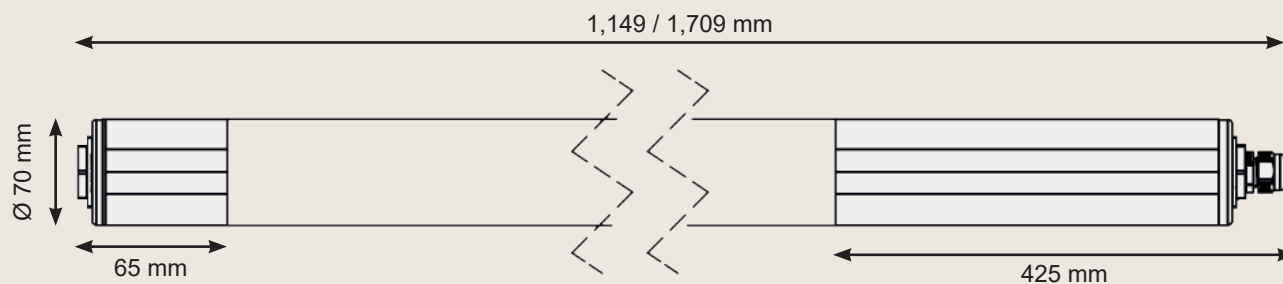
Ex Surface Light
EXTRA-EX-LED - Zone 1, 21



LIGHT EMISSION:



DIMENSIONS:



ACCESSORIES:



Mounting clamps
 stainless steel (1 pcs.)

EXV009



Mounting clamps
 plastic dark grey
 (1 pcs.)

EXV010

– Further models on request / subject to change and error –

Ex Trough Light EXTRA-N-LED - Zone 2, 22



MODELS:

Voltage input	Power	Luminous flux	T _a max	Outputs	Dimensions	Weight	Order no.
230 V AC	8 W	1.171 lm	≤+45°C	2P+E	670x155x105 mm	1,8 kg	EXTRA-N-8-G2
	15 W	2.251 lm	≤+60°C			EXTRA-N-15-G2	
	29 W	4.357 lm	≤+55°C			1,7 kg	EXTRA-N-29-G2-218
	15 W	2.251 lm	≤+60°C		1.280x155x105 mm	3,1 kg	EXTRA-N-15-G2-236
	29 W	4.503 lm				3,2 kg	EXTRA-N-29-G2-236
	58 W	8.715 lm	≤+40°C		1.580x155x105 mm	3,6 kg	EXTRA-N-58-G2
	24 W	3.377 lm	≤+55°C			3,6 kg	EXTRA-N-24-G2
	44 W	6.754 lm			≤+45°C	3,8 kg	EXTRA-N-44-G2
	74 W	11.172 lm	EXTRA-N-74-G2				
	94 W	13.730 lm	≤+40°C		EXTRA-N-94-G2		
	115 W	16.311 lm			EXTRA-N-115-G2		

- Dimmable models and those with emergency power on request -

SPECIAL FEATURES:

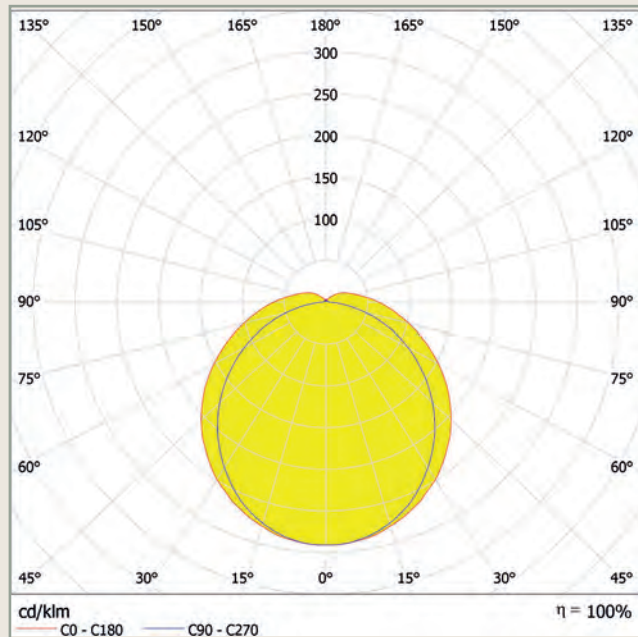
- High-power LED with 142 / 146 / 150 / 154 / 155 lm/W → High light output
- Light colour 4,000 K. → Neutral white
- CRI +80 → High colour rendering index
- Power factor 0.98
- Lifetime L80B10 TA30 - up to 70,000 hours → Proven longevity
- Ex II 3G Ex nR IIC T6 Gc / Ex II 3D Ex tc IIIC T80°C Dc → ATEX certificate FTZÚ 16 ATEX 0102X
- Gas Zone 2, Dust Zone 22
- Polycarbonate housing → IK10, resistant to mechanical stress (impact protection with impact energies up to 20 joules)
- Direct mounting by means of fixing clamp and self-locking rope suspension, holder for boom, wire suspension or wall mounting angle 45° → Easy installation on the ceiling or wall of the room to be illuminated
- Cable gland M20 → Line diameter of 7-12 mm
- Protection class 1
- IP 66 → Dust and splash protection
- Ambient temperature: -20°C ≤ T_a ≤ see table → Use even with large temperature fluctuations
- silicone-free → Free of paint wetting-interfering substances

- Further models on request / subject to change and error -

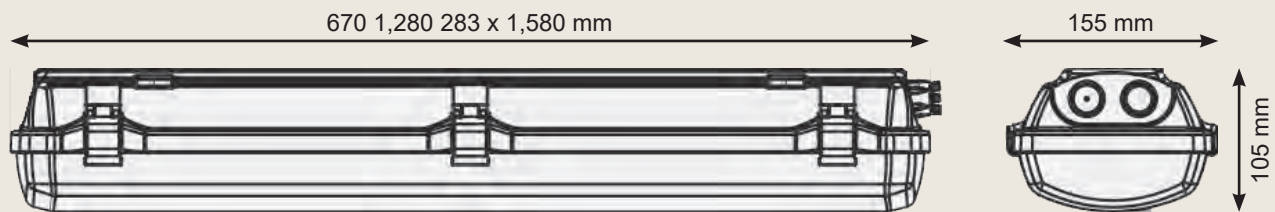
Ex Trough Light EXTRA-N-LED - Zone 2, 22



LIGHT EMISSION:



DIMENSIONS:



ACCESSORIES:



Wire bracket for chain suspension (without chain)
EXV005



Set of 45° metal brackets for wall mounting (2 pcs.)
EXV006



Self-locking cable suspension (3 m)
EXV007



Clamp for mounting on a boom with Ø 50 mm
EXV008

– Further models on request / subject to change and error –

Ex Surface Light PITBUL-N-LED - Zone 2, 22



MODELS:

Voltage input	Power	Lumen	T _a max	Outputs	Dimensions	Weight	Order no.
230 V AC	35 W	4,470 lm	≤+65°C	2P+E	703x310x142 mm	9.1 kg	PITBUL-N-LED-35
	70 W	8,940 lm	≤+55°C		1,313x310x142 mm	13.8 kg	PITBUL-N-LED-70
	104 W	13,410 lm	≤+55°C		1,613x310x142 mm	16.6 kg	PITBUL-N-LED-104
	70 W	8,899 lm	≤+55°C		703x369x142 mm	8.9 kg	PITBUL-N-LED-70-703
	121 W	15,895 lm	≤+50°C		1,313x369x142 mm	16.1 kg	PITBUL-N-LED-121
	195 W	24,845 lm	≤+45°C		1,613x369x142 mm	19.6 kg	PITBUL-N-LED-195

- Dimmable models and those with emergency power on request -

SPECIAL FEATURES:

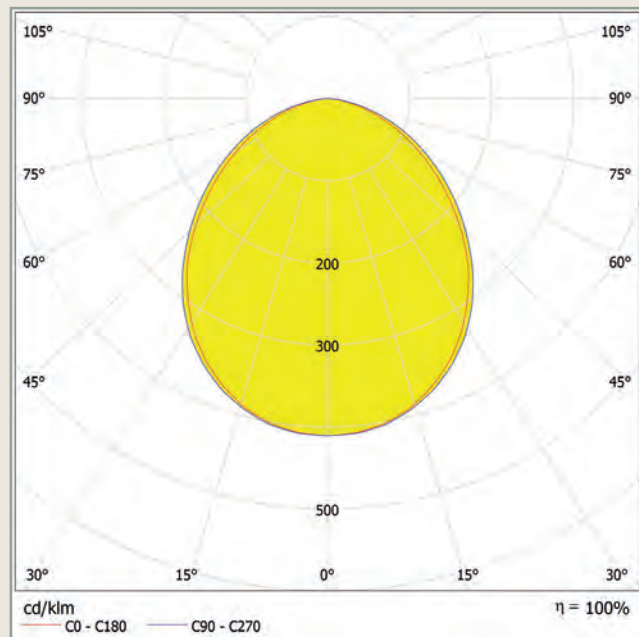
- High-power LED with 127 / 128 / 129 / 131 lm/W → High light output
- Light colour 4,000 K. → Neutral white
- CRI +80 → High colour rendering index
- Power factor 0.98
- Lifetime L80B10 ta30 - up to 70,000 hours → Proven longevity
- Ex II 3G Ex nR IIC T6 Gc → ATEX certificate FTZÚ 17 ATEX 0129X
- Ex II 3D Ex tc IIIC T63°C Dc
- Gas Zone 2
- Dust Zone 22
- White sheet steel housing with hardened opal safety glass → IK07, resistant to mechanical stress (protection against impacts with an impact energy of up to 2 joules)
- Direct mounting with suspension eyes, mounting frames, ceiling brackets or outriggers, screwed on the sides of the housing → Easy installation on the ceiling or wall of the room to be illuminated
- Cable gland M20 → Line diameter of 7-12 mm
- Protection class 1
- IP65 → Dust and splash protection
- Ambient temperature: -20°C ≤ T_a ≤ see table → Use even with large temperature fluctuations
- silicone-free → Free of paint wetting-interfering substances

- Further models on request / subject to change and error -

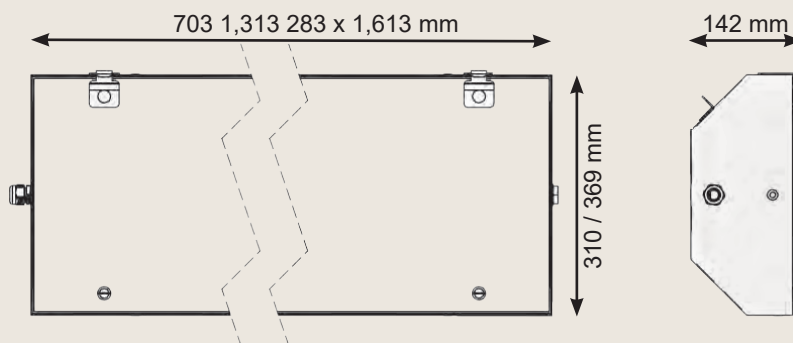
Ex Surface Light
PITBUL-N-LED - Zone 2, 22



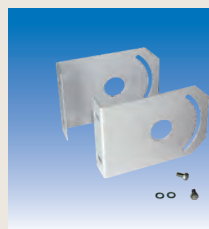
LIGHT EMISSION:



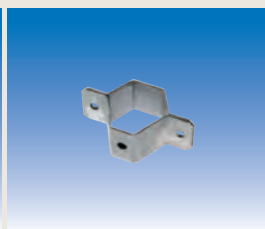
DIMENSIONS:



ACCESSORIES:



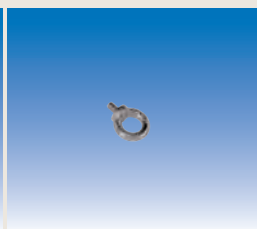
Set of outriggers for mounting via the housing head sides
EXV001



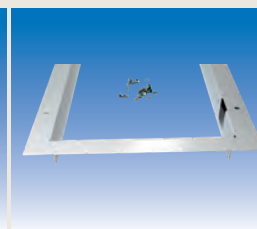
Clamp for mounting on a boom with Ø 50 mm
EXV002



Set of stainless steel ceiling brackets (2 pcs.)
EXV003

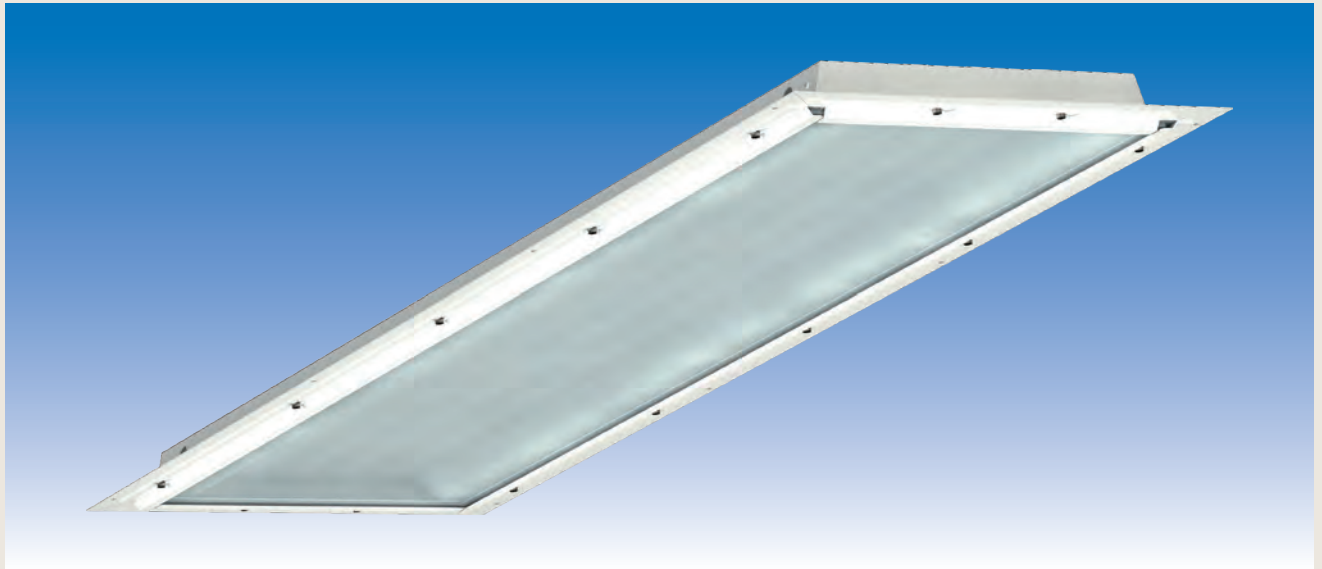


Hanging eye (1 pcs.)
EXV004



PITBUL mounting frame
EXV015 (-35), **EXV016** (-70-703), **EXV017** (-70), **EXV018** (-121), **EXV019** (-104), **EXV020** (-195)

– Further models on request / subject to change and error –



MODELS:

Voltage input	Power	Lumen	T _a max	Outputs	Dimensions	Weight	Order no.
230 V AC	33 W	4,372 lm	≤+65°C	2P+E	770x380x65 mm	9.5 kg	FILA-N-33-218
	66 W	8,847 lm	≤+50°C		770x530x65 mm	16.3 kg	FILA-N-66-418
	66 W	9,362 lm	≤+50°C		1.370x380x65 mm	20.9 kg	FILA-N-66-236
	117 W	16,354 lm	≤+45°C		1.370x530x65 mm	13.4 kg	FILA-N-117-436
	101 W	13,580 lm	≤+45°C		1.670x380x65 mm	22.4 kg	FILA-N-101-258
	188 W	25,692 lm	≤+40°C		1.670x530x65 mm	27.7 kg	FILA-N-188-458

- Dimmable models and those with emergency power on request -

SPECIAL FEATURES:

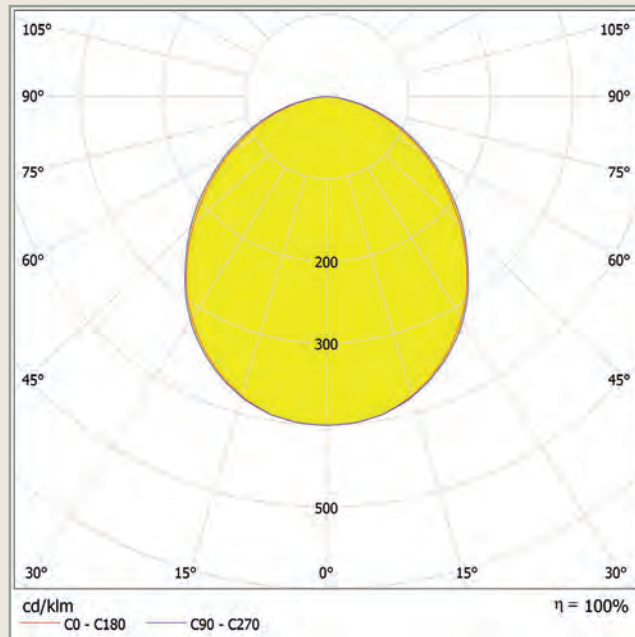
- High-power LED with 132 / 134 / 137 / 140 / 142 lm /W → High light output
- Light colour 4,000 K. → Neutral white
- CRI +80 → High colour rendering index
- Power factor 0.98
- Lifetime L80B10 ta30 – up to 70 000 hours → Proven longevity
- Ex II 3G Ex nR IIC T6 Gc → ATEX certificate FTZÚ 20 ATEX 0075X and FTZÚ 20 ATEX 0077X
- Ex 2D Ex tb op is IIIC T70°C Db
- Ex II 3D Ex tc IIIC T70°C Dc
- Gas Zone 2
- Dust Zone 21, 22
- White sheet steel housing with cover made of hardened opal safety glass → IK07, resistant to mechanical stress (protection against impacts with an impact energy of up to 2 joules)
- Mounting directly in the wall or ceiling → Easy mounting or installation on/in the ceiling or wall of the room to be illuminated
- Screwless three-pole terminal block, max. clamping range 2.5 mm²
- Protection class 1
- IP66 → Dust and splash protection
- Ambient temperature: -20°C ≤ T_a ≤ see table → Use even with large temperature fluctuations
- Cable gland 2 x M20 (cable diameter 7-12 mm), 1x sealing plugs
- silicone-free → Free of paint wetting-interfering substances

- Further models on request / subject to change and error -

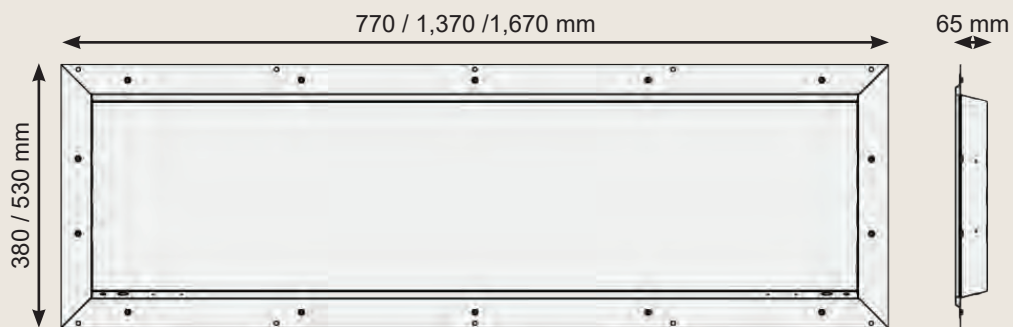
Ex Surface Recessed Light FILA-N-LED - Zone 2, 21, 22



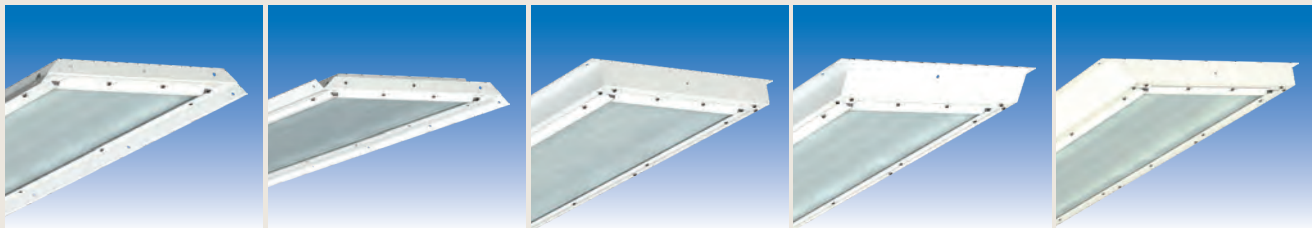
LIGHT EMISSION:



DIMENSIONS:



ON REQUEST:



Corner recessed light
FILA-N-66-236C
FILA-N-101-258C
FILA-N-188-458C

Inclined recessed light
FILA-N-66-236D
FILA-N-101-258D
FILA-N-188-458D

Surface-mounted light
FILA-N-66-236S
FILA-N-101-258S
FILA-N-188-458S

Vertical surface-mounted light
FILA-N-66-236SV
FILA-N-101-258SV

Surface-mounted light horizontal
FILA-N-66-236SH
FILA-N-101-258SH

– Further models on request / subject to change and error –

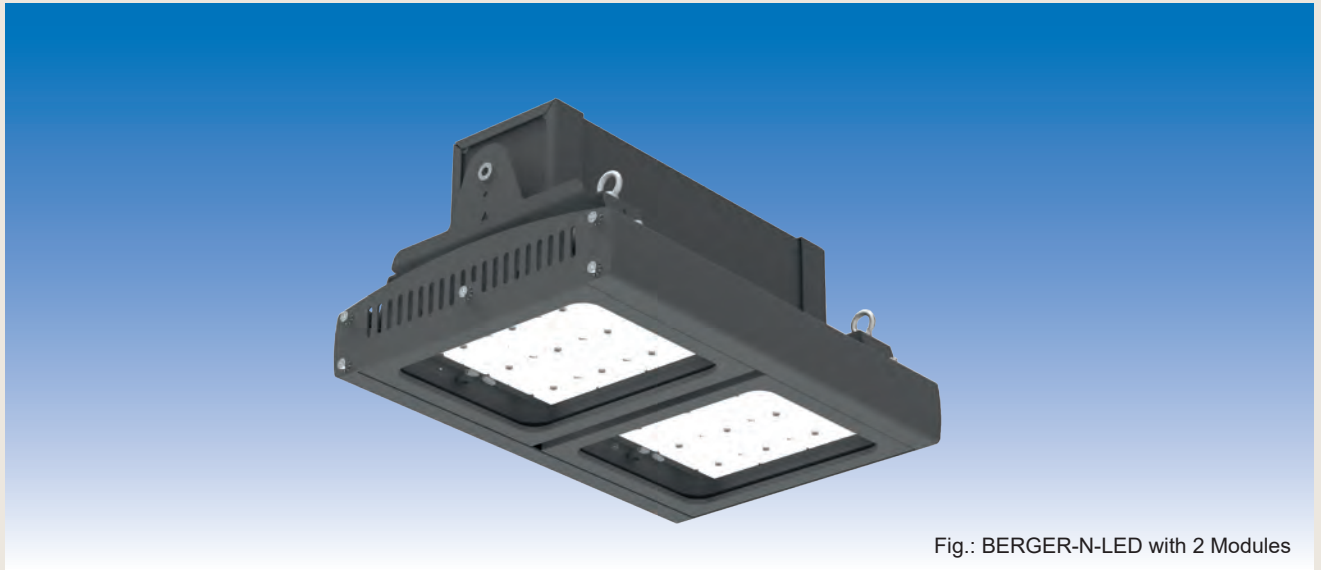


Fig.: BERGER-N-LED with 2 Modules

MODELS:

Voltage input	Power	Luminous flux	T _a max	angle of reflected beam	dimensions	LED Module	Weight	Order no.
230 V AC	69 W	10.767 lm	≤+50°C	60°	415x285x19 mm	1	8,5 kg	BERGER-N-080800
	69 W	10.922 lm	≤+50°C	90°	415x285x19 mm		8,5 kg	BERGER-N-080801
	136 W	21.534 lm	≤+50°C	60°	415x285x19 mm	2	11,0 kg	BERGER-N-080803
	136 W	21.844 lm	≤+50°C	90°	415x285x19 mm		11,0 kg	BERGER-N-080804
	204 W	32.252 lm	≤+50°C	60°	620x285x19 mm	3	14,0 kg	BERGER-N-080806
	204 W	32.726 lm	≤+50°C	90°	620x285x19 mm		14,0 kg	BERGER-N-080807
	287 W	43.002 lm	≤+40°C	60°	825x285x19 mm	4	17,0 kg	BERGER-N-080809
	287 W	43.634 lm	≤+40°C	90°	825x285x19 mm		17,0 kg	BERGER-N-080810

- Dimmable models on request -

SPECIFICATIONS:

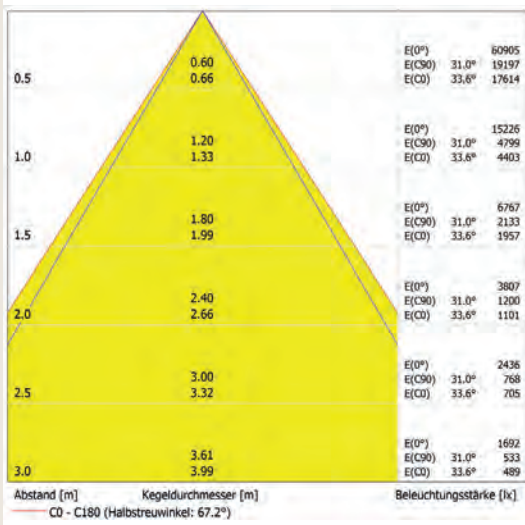
- High-power LED with up to 161 lm/W → providing high light output
- Light color of 4,000 K → neutral white
- CRI +80 → ensuring high color rendering index
- Power factor of 0.98
- Extremely long lifespan of L70B50 Ta70 - 100,000 hours, even at high ambient temperatures → demonstrating remarkable durability
- BERGER-N-LED ATEX for Gas Zone 2/Dust 21 Ex II 3G Ex nR IIC T6...T5 Gc Ex II 2D Ex tb op is IIIC T85°C Db → ATEX Certificate FTZÚ 22 ATEX 0107X
- BERGER-N-LED ATEX for Gas Zone 2/Dust 22 Ex II 3G Ex nR IIC T6...T5 Gc Ex II 3D Ex tc IIIC T85°C Dc → ATEX Certificate FTZÚ 22 ATEX 0108X
- Optics with high efficiency of up to 161 lm/W
- Housing made of robust aluminum with clear safety glass → IK10-rated, resistant to mechanical stress (protection against impacts with an impact energy of up to 20 joules)
- Mounting via 4 stainless steel M5 ring screws for suspended installation (standard) or via adjustable mounting brackets (not included) → Easy installation
- Protection class 1, IP 66, 2 PE+E → staubdicht und strahlwassergeschützt
- Ambient temperature: -20°C ≤ Ta ≤ see chart → suitable for use even in large temperature variations

- Further models on request / subject to change and error -

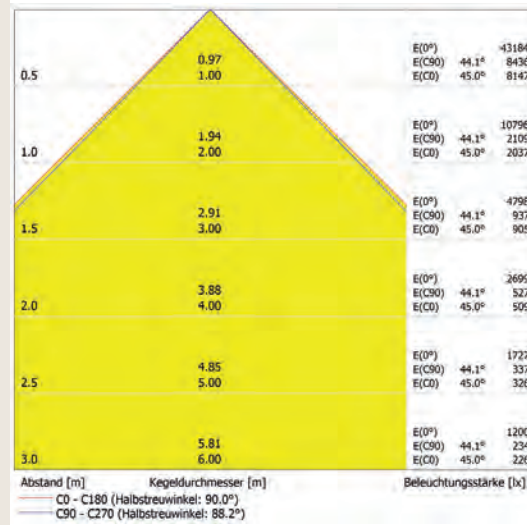
Ex-LED-Flutlichtstrahler BERGER-N-LED - Zone 2, 21, 22



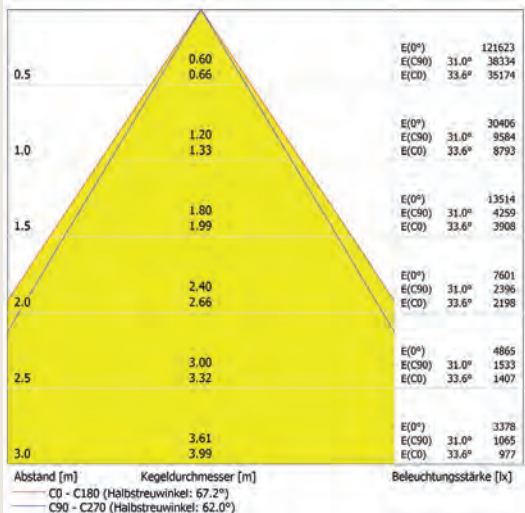
LIGHT EMISSION BERGER-N-080803:



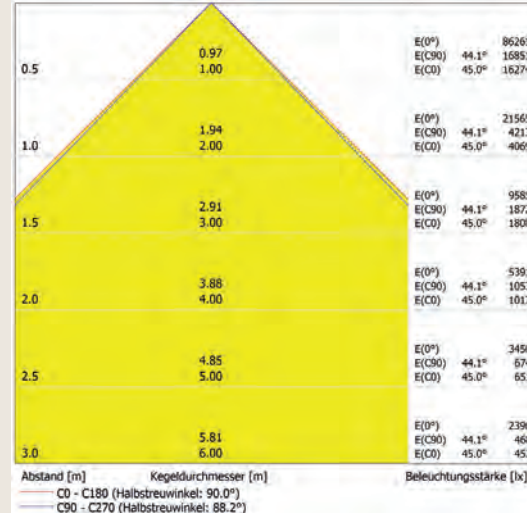
LIGHT EMISSION BERGER-N-080804:



LIGHT EMISSION BERGER-N-080809:

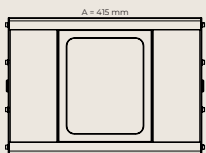


LIGHT EMISSION BERGER-N-080810:

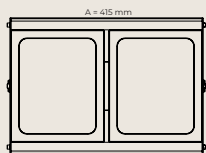


DIMENSIONS:

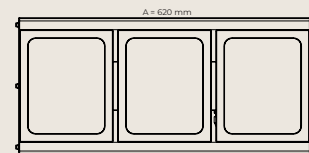
1 Module



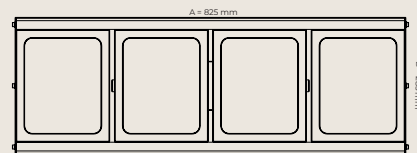
2 Modules



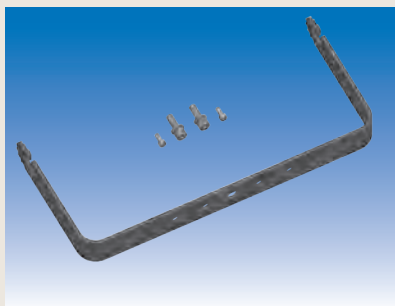
3 Modules



4 Modules



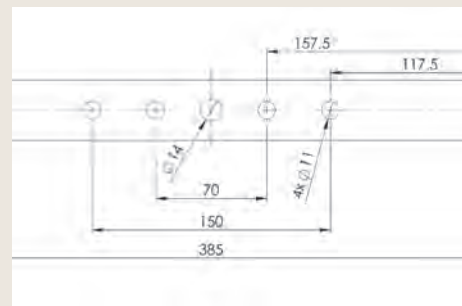
ACCESSORIES:



Mounting bracket for BERGER-N-LED

- Wall mount: adjustable boom
- Flange hole 11 mm
- Hole spacing 70 mm and 150 mm
- Mounting bracket for ceiling and wall mounting
- including fastening screws
- Dimensions 385x38x179 mm

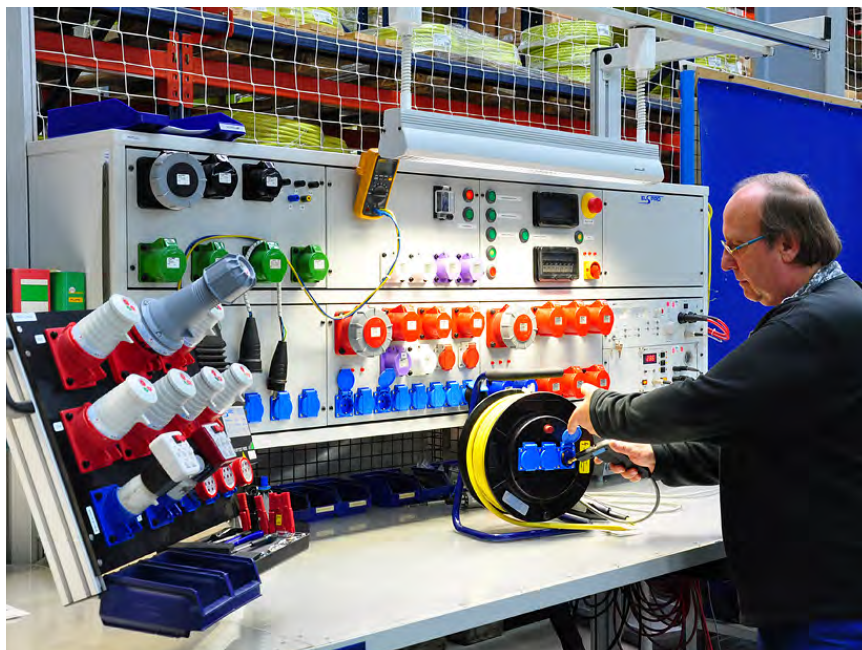
EXV055



– Further models on request / subject to change and error –

QUALITY GUARANTEED

Our products reflect the current state of technology and conform to German and European norms. We are certified according to the standard DIN EN ISO 9001.



ELSPRO = ELECTROTECHNICAL SAFETY PRODUCTS

Since the company was founded in April 1986, safety and personal protection when dealing with electrotechnical equipment has always been the primary focus for ELSPRO.

Reliable, flexible and service-orientated – our focus is on long-term cooperation

ELSPRO products offer you maximum safety in the professional distribution of light and electricity. The implementation of your product requirements are always based on state-of-the-art technologies while being compliant with the latest directives.

We offer „technology without compromise“, are happy to advise you and develop tailor-made solutions for you.

Creative, customer-orientated and close to the market – we grow with your requirements

Constant training and consistent product development over many years form the basis of our extensive range of electrotechnical safety products. Innovative product solutions arise constantly from day-to-day business thanks to partnership-oriented cooperation between our qualified staff and discerning customers.

ELSPRO – Electrotechnology at the highest level

From our headquarter in Hilden, we supply the European market with high quality ELSPRO products. Individual consultancy and order-related production are a key part of our day-to-day business. Customer-orientated support is provided by an extensive network of regional offices and expert advice from our qualified field staff.

Upon request, your personal contact will be delighted to present products which may interest you at your premises.

On the safe side with ELSPRO

Together we investigate your individual requirements. Our departments will then work out dedicated electrotechnical product solutions of the highest safety standard, true to our motto „technology without compromise“.

As a manufacturer, we offer you the following benefits:

- production to customer specifications
- on-site support by our technical field staff
- qualified contact persons in the head office
- detailed knowledge of the current regulations



ELSPRO®

ELSPRO Elektrotechnik GmbH & Co. KG
Kleinhülsen 47 · 40721 Hilden · Germany

- +49 2103 9710-45
- +49 2103 9710-80
- sales@elspro.de
- <https://www.elspro.de/en/>

