

CONFIGURATIONS:

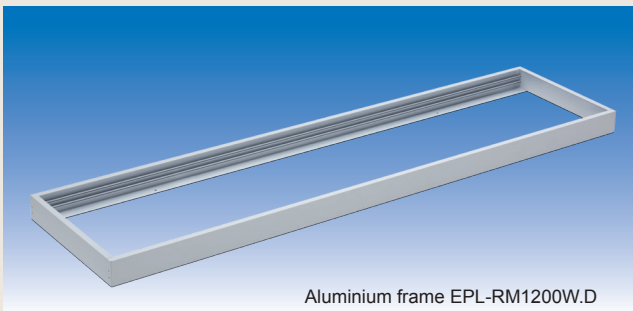
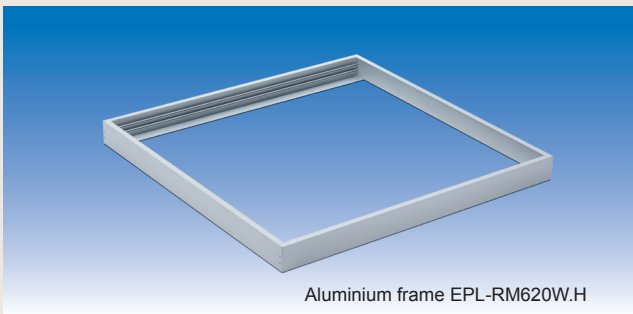
Voltage	Power	Luminous flux	UGR	Beam angle	Dimensions (L x W x H)	Weight	Order no.
220 - 240 V AC	24 W	4.000 lm	< 18	120°	620 x 620 x 33 mm	2,0 kg	EPL620X620
							EPL620X620DIM
							EPL620X620DALI
					1.200 x 300 x 33 mm	2,0 kg	EPL1200X300
							EPL1200X300DIM
							EPL1200X300DALI

With our LED panels you can illuminate your rooms efficiently and sustainably. This allows you to reduce energy and maintenance costs and create a productive working environment.

SPECIAL FEATURES:

- 96 Backlit-LEDs → even light diffusion and uniform light pattern thanks to Backlit technology
- luminous flux of 4,000 lm with 24 W powerconsumption → luminous efficacy 167 lm / W
- colour temperature: 4,000 K - neutral white → ideal as workplace lighting
- also available with dimmable power supply unit or driver with DALI standard → individual brightness adjustment
- highly low glare value of UGR < 18 → Suitable for VDU workstations
- beam angle 120° → excellent general lighting
- **power customisable via DIP switch** → individual adjustment of brightness
- standardised dimensions → ideal for use in suspended ceilings
- Power factor > 0.9 → low power loss
- CRI ≥ 80 → high colourrendering index
- ambient temperature -20°C to +40°C
- LED panel with white aluminium frame
- impact-resistant diffuser disc made of polypropylene with special honeycomb structure → optimum lightdistribution

– other models on request / subject to modification and errors –



Accessories and spare parts

Order no.

Power supply unit 2-pin / 230 V / with supply cable LED driver (constant current) 650 - 950 mA dimmable, DIP ON-OFF Output 24 - 34 W

EPL-NT.D

Power supply unit 2-pin / 230 V / with supply cable LED driver (constant current) 950 mA dimmable 1-10 V Output 34 Watt

EPL-NTD.D

Power supply unit 2-pin / 230 V / with supply cable LED driver (constant current) 900 mA dimmable with DALI-2-Standard Output 34 Watt

EPL-NTDA.D

Aluminium frame for surface mounting for EPL620X620 Housing material Aluminium white Dimensions (L x W x H) 620 x 620 x 63 mm

EPL-RM620W.H

Aluminium frame for surface mounting for EPL1200X300 Housing material Aluminium white Dimensions (L x W x H) 1.200 x 335 x 67 mm

EPL-RM1200W.D

LED panel mounting clips x4

EPL-4XBFC

LED panel hanging kit system 4 x 1 m steel cable 4 x mounting accessories for the ceiling

EPL-4XAHS

– other models on request / subject to modification and errors –