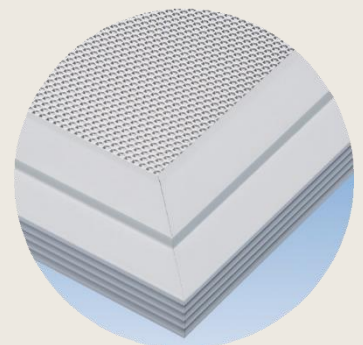
**CONFIGURATIONS:**

Voltage	Power	Luminous flux	UGR	Beam angle	Dimensions (L x W x H)	Weight	Order no.
100 - 240 V AC	33 W	4,000 lm	< 19	120°	620 x 620 x 9 mm	2.5 kg	PANEL620X620
							PANEL620X620DIM
							PANEL620X620DALI
					1,200 x 300 x 9 mm	2.4 kg	PANEL1200X300
							PANEL1200X300DIM
							PANEL1200X300DALI

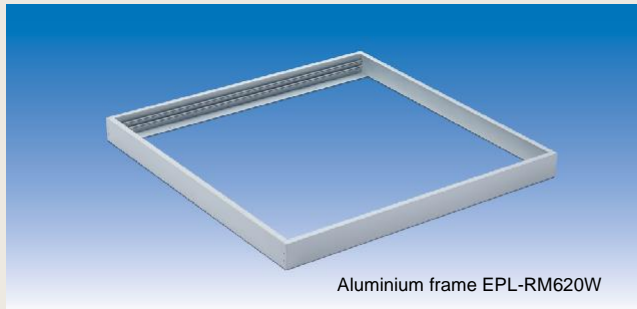
With our LED panels you can illuminate your rooms efficiently and sustainably. This allows you to reduce energy and maintenance costs and create a productive working environment.

SPECIAL FEATURES:

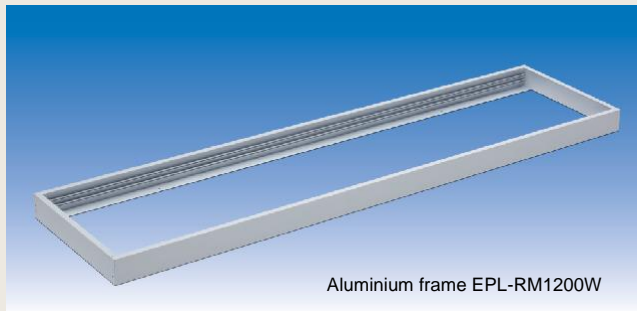
- 216 LEDs → even light diffusion and uniform light pattern thanks to Edge-Lit technology
- Luminous flux of 4,000 lm with 33 W power consumption → Luminous efficacy 121 lm / W
- Colour temperature: 4,000 K - neutral white → ideal as workplace lighting
- also available with dimmable power supply unit or driver with DALI standard → individual brightness adjustment
- Low glare value of UGR < 19 → Suitable for VDU workstations
- Beam angle 120° → excellent general lighting
- standardised dimensions → ideal for use in suspended ceilings
- Power factor 0.9 → low power loss
- CRI ≥ 80 → high colour rendering index
- Ambient temperature -10°C to +40°C
- LED panel with white aluminium frame and sturdy metal back
- impact-resistant diffuser disc made of polypropylene with special honeycomb structure → optimum light distribution



– other models on request / subject to modification and errors –



Aluminium frame EPL-RM620W



Aluminium frame EPL-RM1200W



EPL-4XBFC mounting clips

Accessories and spare parts

Order no.

Power supply unit 2-pin / 230 V /
with supply cable
LED driver (constant current) 800 mA
Output 35 W
Dimensions (L x W x H)
105 x 35 x 28 mm

EPL-NT

Power supply unit 2-pin / 230 V /
with supply cable
LED driver (constant current) 800 mA
dimnable 0-10 V
Output 35 watts
Dimensions (L x W x H)
245 x 30 x 21 mm

EPL-NTD

Power supply unit 2-pin / 230 V /
with supply cable
LED driver (constant current) 1050 mA
dimnable with DALI standard
Output 42 watts
Dimensions (L x W x H)
138 x 47 x 26 mm

EPL-NTDA

Aluminium frame for surface mounting
for PANEL620X620
Housing material Aluminium white
Dimensions (L x W x H)
630 x 630 x 50 mm

EPL-RM620W

Aluminium frame for surface mounting
for PANEL1200X300
Housing material Aluminium white
Dimensions (L x W x H)
1,210 x 310 x 50 mm

EPL-RM1200W

LED panel mounting clips
x4

EPL-4XBFC

LED panel hanging kit system
4 x 1 m steel cable
4 x mounting accessories for the ceiling

EPL-4XAHS

– other models on request / subject to modification and errors –