

CONFIGURATIONS:

Voltage	Power	Luminous flux	Colour temperature	Dimensions (H x Ø)	Weight	Order no.
100 - 240 V AC 50 / 60 Hz	120 W	19.800 165 lm / W	5.000 K	233 x 380 mm (Including bracket)	6,3 kg	ESJDHT120110

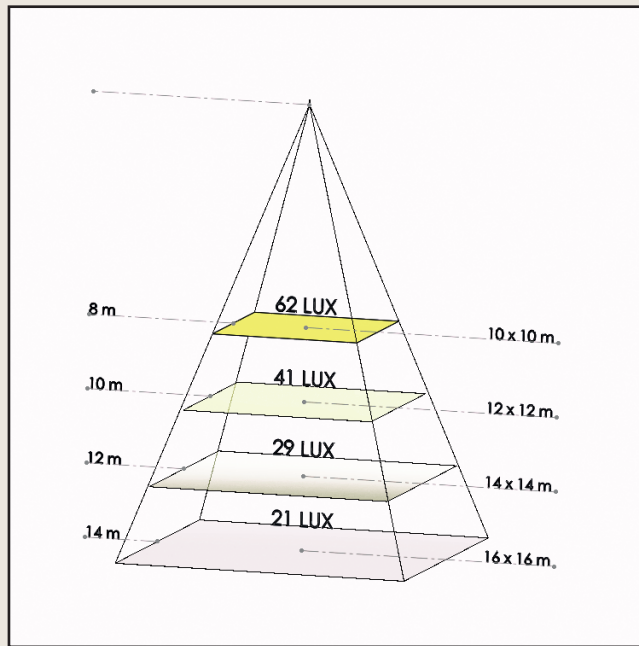
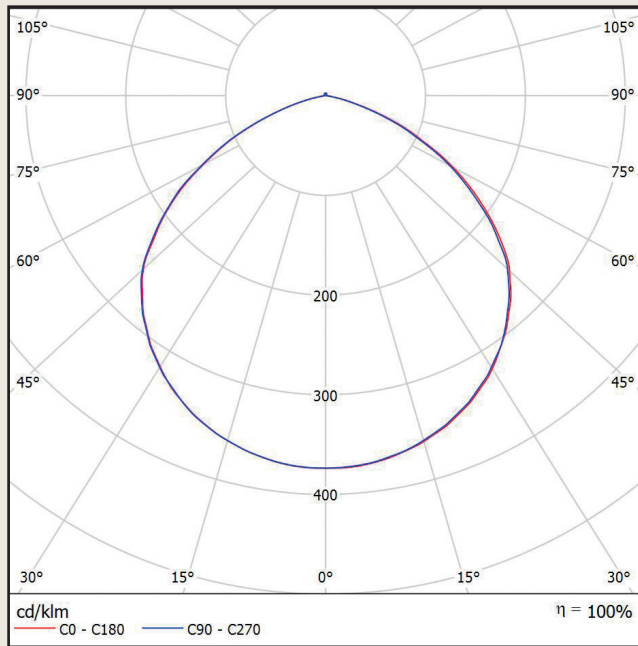
SPECIAL FEATURES:

- Highly efficient Samsung LEDs with 243 light points evenly distributed over a large area and a beam angle of 110° create a homogeneous light image → Basis for the even illumination of surfaces
- LED lifespan L90B10 - 50,000 hours**
- LED driver with overheating and overvoltage protection → Cost savings
- Ambient temperature: **-30°C bis +80°C** → Can also be used with large temperature fluctuations indoors and outdoors
- Protection class: **IP 66** → dustproof and protected against strong water jets
- LED driver is housed in an extra housing on the spot-light housing for easy installation → No negative interactions due to heating
- Die-cast aluminium housing **with special chromate powder coating** → Optimised reduction of dust deposits on the surface
- High number of cooling fins → Excellent heat management - prerequisite for the long service life of the LEDs of up to 50,000 hours - **COST SAVINGS**
- The low weight of only 6,3 kg (aluminium housing) and strong mounting bracket including eye-bolts allows for easy and reliable ceiling or wall mounting An additional safety wires with karabiner hooks are included. → Double protection - double safety
- The connection is made via a flexible cable (80 cm) with stripped ends
- Power factor > 0,9
- Colour rendering index CRI ≥ 80
- Protection class 1
- Shock resistance IK 08
- with DALI control unit



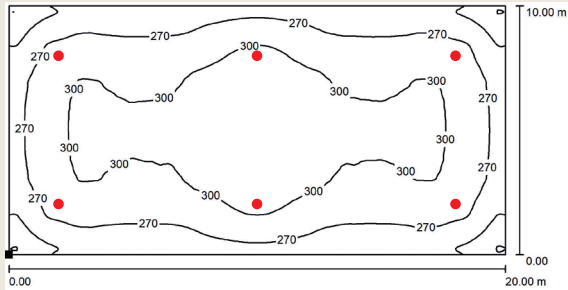
– additional versions upon request / all rights reserved –

Light emission:

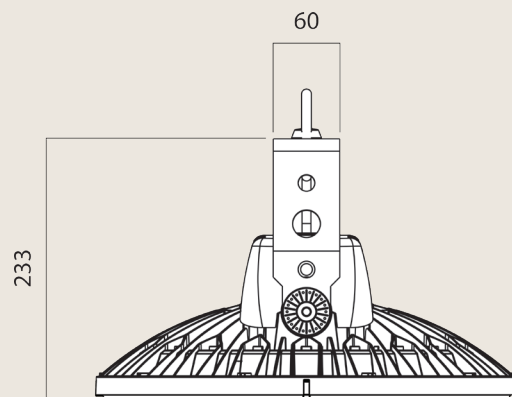
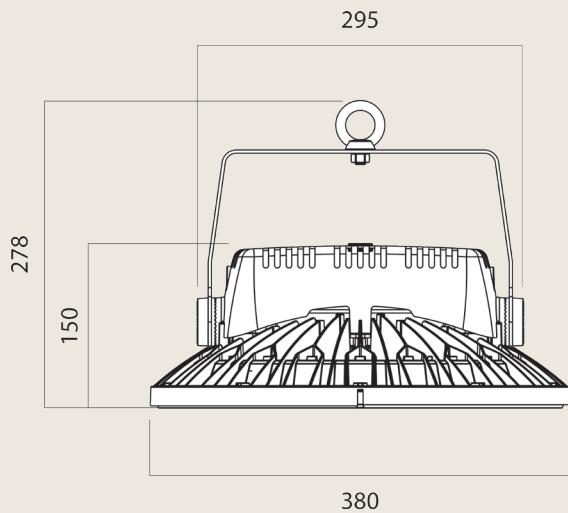


Please note: The lux values shown are average values of the specified area without taking into account the reflection from walls, ceilings and floors. The real values may be higher.

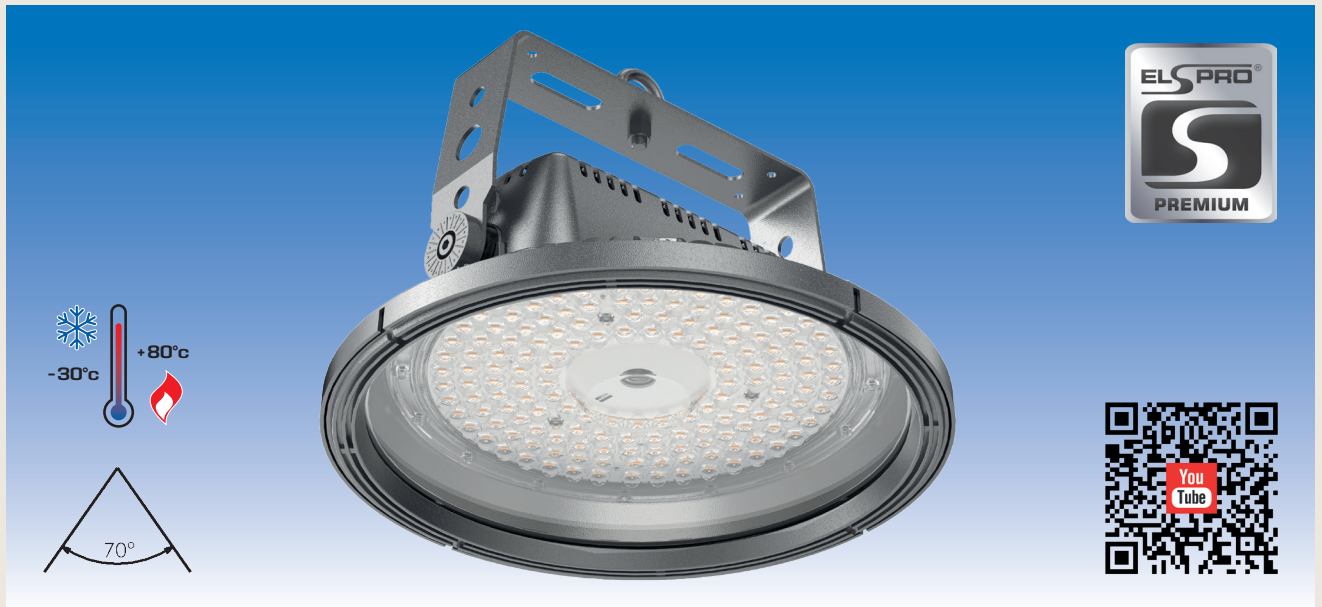
Application example 6 SPACEJET 120 110°:



Room height:	8,00 m
Mounting height:	8,00 m
Maintenance factor:	0,80
Usage level:	0,85 m
E_m :	284,00 Lux
g_1 :	0,71



– additional versions upon request / all rights reserved –



CONFIGURATIONS:

Voltage	Power	Luminous flux	Colour temperature	Dimensions (H x Ø)	Weight	Order no.
100 - 240 V AC 50 / 60 Hz	120 W	19.100 160 lm / W	5.000 K	233 x 380 mm (Including bracket)	6,4 kg	ESJDHT120070

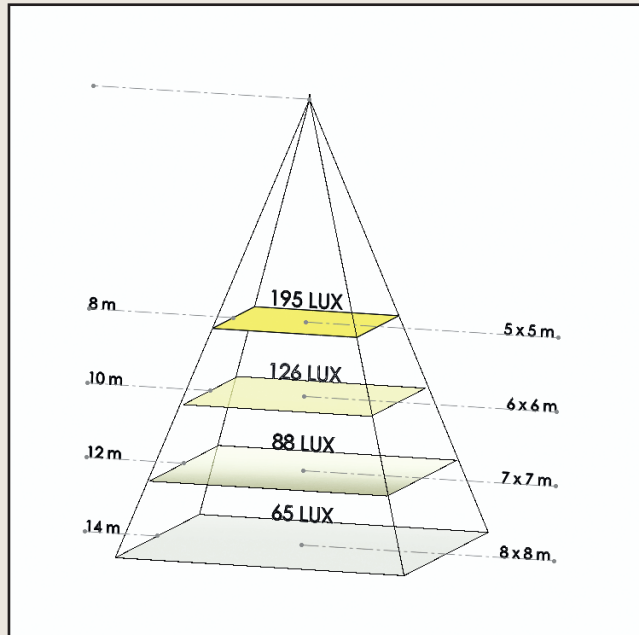
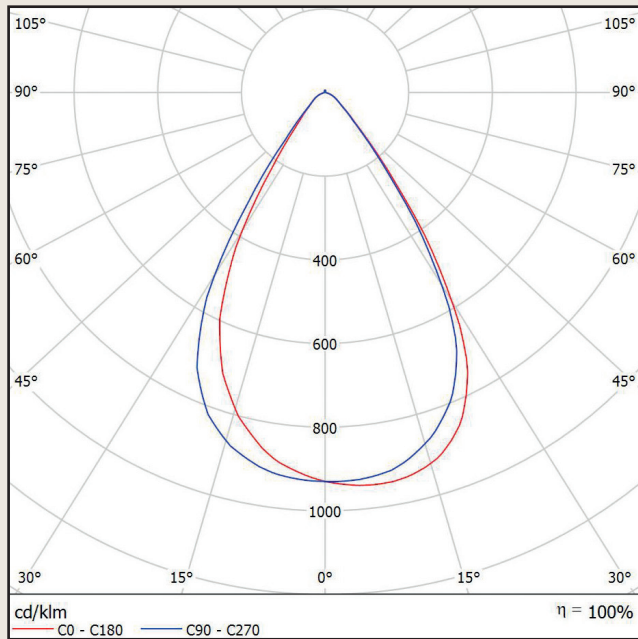
SPECIAL FEATURES:

- Highly efficient Samsung LEDs with 160 light points evenly distributed over a large area and a beam angle of 70° create a homogeneous light image
 - Basis for the even illumination of surfaces
- **LED lifespan L90B10 - 50,000 hours**
- LED driver with overheating and overvoltage protection
 - Cost savings
- Ambient temperature: **-30°C bis +80°C**
 - Can also be used with large temperature fluctuations indoors and outdoors
- Protection class: **IP 66**
 - dustproof and protected against strong water jets
- LED driver is housed in an extra housing on the spotlight housing for easy installation
 - No negative interactions due to heating
- Die-cast aluminium housing **with special chromate powder coating**
 - Optimised reduction of dust deposits on the surface
- High number of cooling fins
 - Excellent heat management - prerequisite for the long service life of the LEDs of up to 50,000 hours - **COST SAVINGS**
- The low weight of only 6,4 kg (aluminium housing) and strong mounting bracket including eye-bolts allows for easy and reliable ceiling or wall mounting. An additional safety wires with karabiner hooks are included.
 - Double protection - double safety
- The connection is made via a flexible cable (80 cm) with stripped ends
- Power factor > 0,9
- Colour rendering index CRI ≥ 80
- Protection class 1
- Shock resistance IK 08
- with DALI control unit



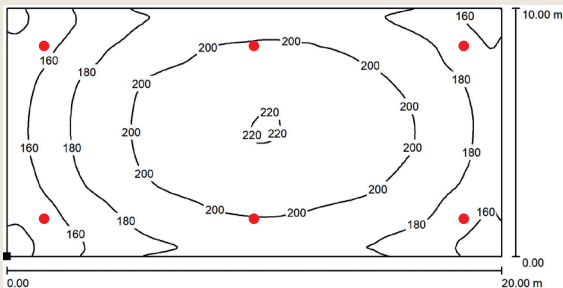
– additional versions upon request / all rights reserved –

Light emission:

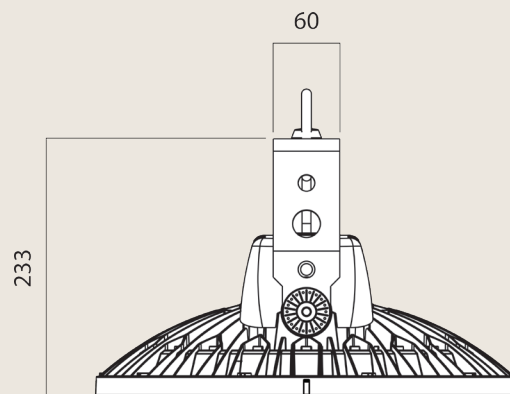
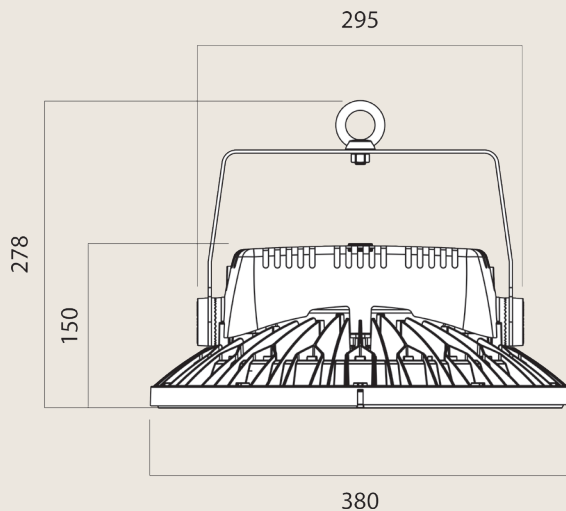


Please note: The lux values shown are average values of the specified area without taking into account the reflection from walls, ceilings and floors. The real values may be higher.

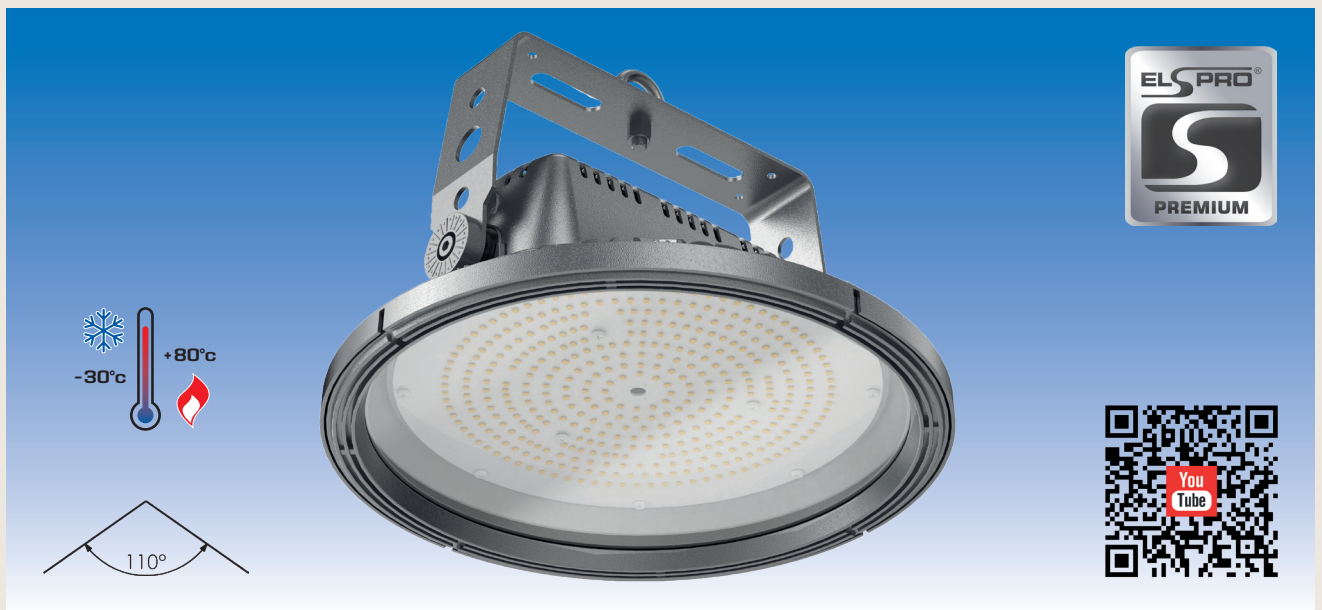
Application example 6 SPACEJET 120 70°:



Room height:	18,00 m
Mounting height:	18,00 m
Maintenance factor:	0,80
Usage level:	0,85 m
E_m :	188,00 Lux
g_1 :	0,70



– additional versions upon request / all rights reserved –



CONFIGURATIONS:

Voltage	Power	Luminous flux	Colour temperature	Dimensions (H x Ø)	Weight	Order no.
100 - 240 V AC 50 / 60 Hz	200 W	34.100 170 lm / W	5.000 K	233 x 380 mm (Including bracket)	6,3 kg	ESJDHT200110

SPECIAL FEATURES:

- Highly efficient Samsung LEDs with 386 light points evenly distributed over a large area and a beam angle of 110° create a homogeneous light image
 - Basis for the even illumination of surfaces
- **LED lifespan L90B10 - 50,000 hours**
- LED driver with overheating and overvoltage protection
 - Cost savings
- Ambient temperature: **-30°C bis +80°C**
 - Can also be used with large temperature fluctuations indoors and outdoors
- Protection class: **IP 66**
 - dustproof and protected against strong water jets
- LED driver is housed in an extra housing on the spot-light housing for easy installation
 - No negative interactions due to heating
- Die-cast aluminium housing **with special chromate powder coating**
 - Optimised reduction of dust deposits on the surface
- High number of cooling fins
 - Excellent heat management - prerequisite for the long service life of the LEDs of up to 50,000 hours - **COST SAVINGS**
- The low weight of only 6,3 kg (aluminium housing) and strong mounting bracket including eye-bolts allows for easy and reliable ceiling or wall mounting An additional safety wires with karabiner hooks are included.
 - Double protection - double safety
- The connection is made via a flexible cable (80 cm) with stripped ends
- Power factor > 0,9
- Colour rendering index CRI ≥ 80
- Protection class 1
- Shock resistance IK 08
- with DALI control unit

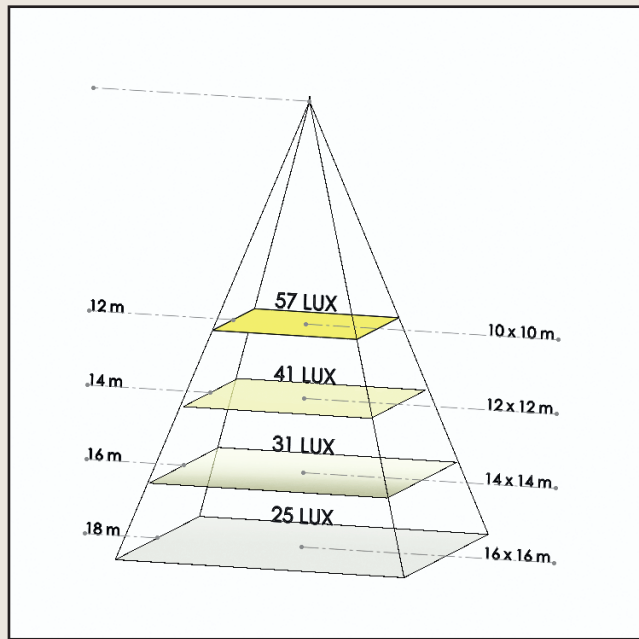
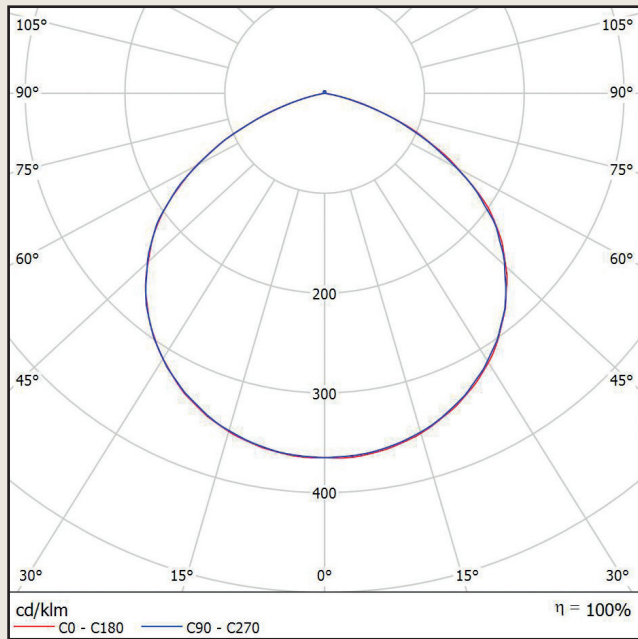


– additional versions upon request / all rights reserved –

LED floodlight with DALI control unit SPACEJET HT 200 110°

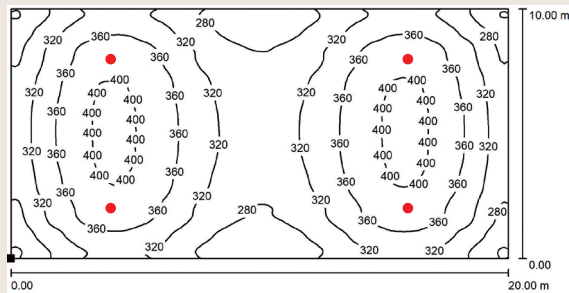


Light emission:

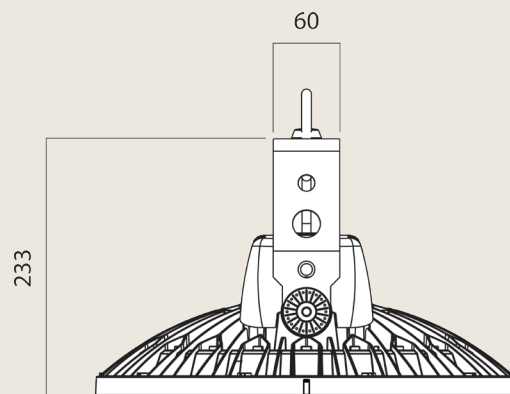
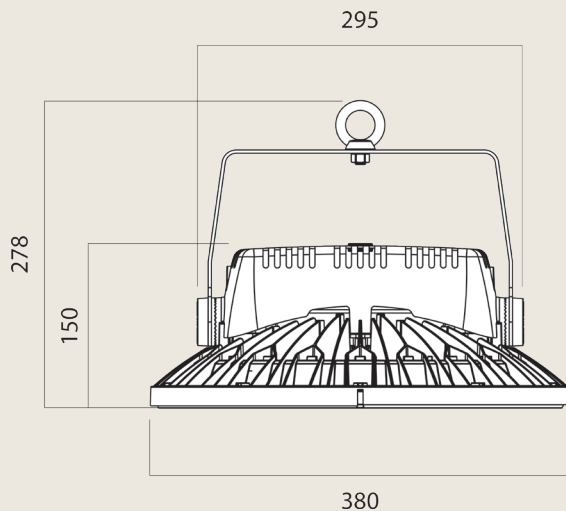


Please note: The lux values shown are average values of the specified area without taking into account the reflection from walls, ceilings and floors. The real values may be higher.

Application example 4 SPACEJET 200 110°:



Room height:	8,00 m
Mounting height:	8,00 m
Maintenance factor:	0,80
Usage level:	0,85 m
E_m :	335,00 Lux
g_1 :	0,68



– additional versions upon request / all rights reserved –



CONFIGURATIONS:

Voltage	Power	Luminous flux	Colour temperature	Dimensions (H x Ø)	Weight	Order no.
100 - 240 V AC 50 / 60 Hz	200 W	30.500 153 lm / W	5.000 K	233 x 380 mm (Including bracket)	6,5 kg	ESJDHT200070

SPECIAL FEATURES:

- Highly efficient Samsung LEDs with 160 light points evenly distributed over a large area and a beam angle of 70° create a homogeneous light image
 - Basis for the even illumination of surfaces
- **LED lifespan L90B10 - 50,000 hours**
- LED driver with overheating and overvoltage protection
 - Cost savings
- Ambient temperature: **-30°C bis +80°C**
 - Can also be used with large temperature fluctuations indoors and outdoors
- Protection class: **IP 66**
 - dustproof and protected against strong water jets
- LED driver is housed in an extra housing on the spot-light housing for easy installation
 - No negative interactions due to heating
- Die-cast aluminium housing **with special chromate powder coating**
 - Optimised reduction of dust deposits on the surface
- High number of cooling fins
 - Excellent heat management - prerequisite for the long service life of the LEDs of up to 50,000 hours - **COST SAVINGS**
- The low weight of only 6,5 kg (aluminium housing) and strong mounting bracket including eye-bolts allows for easy and reliable ceiling or wall mounting. An additional safety wires with karabiner hooks are included.
 - Double protection - double safety
- The connection is made via a flexible cable (80 cm) with stripped ends
- Power factor > 0,9
- Colour rendering index CRI ≥ 80
- Protection class 1
- Shock resistance IK 08
- with DALI control unit

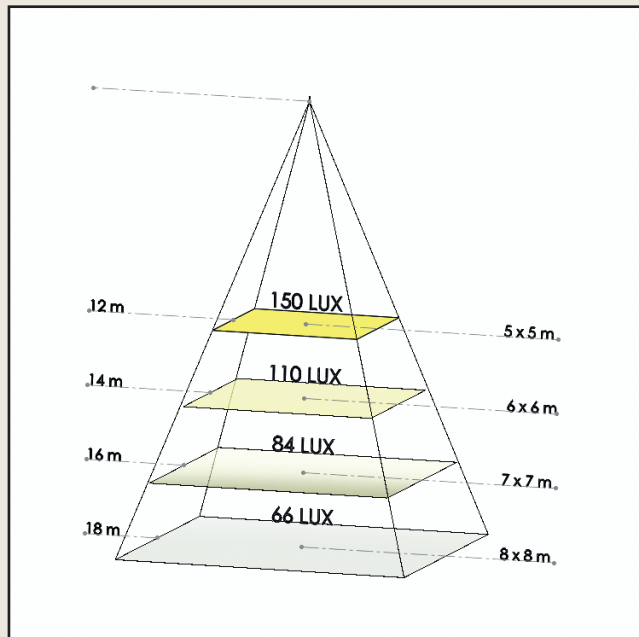
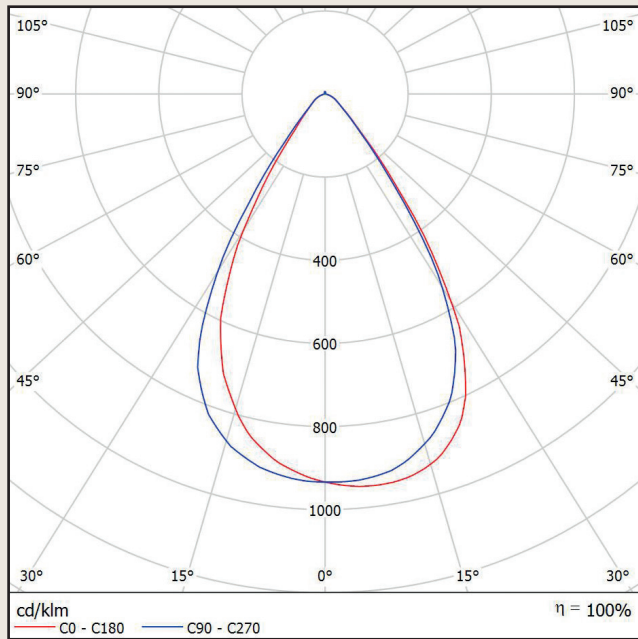


– additional versions upon request / all rights reserved –

LED floodlight with DALI control unit
SPACEJET HT 200 70°

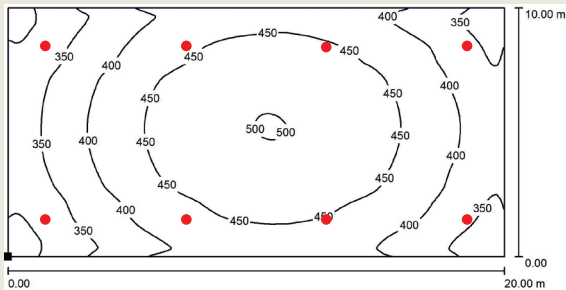


Light emission:

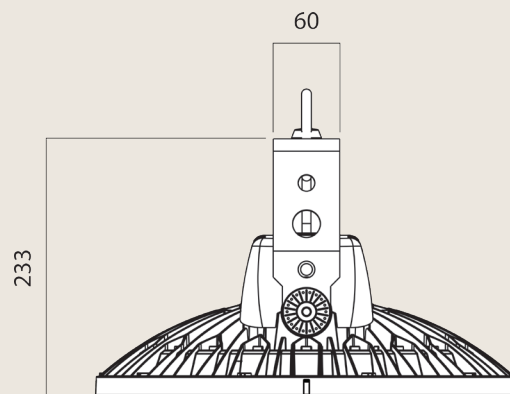
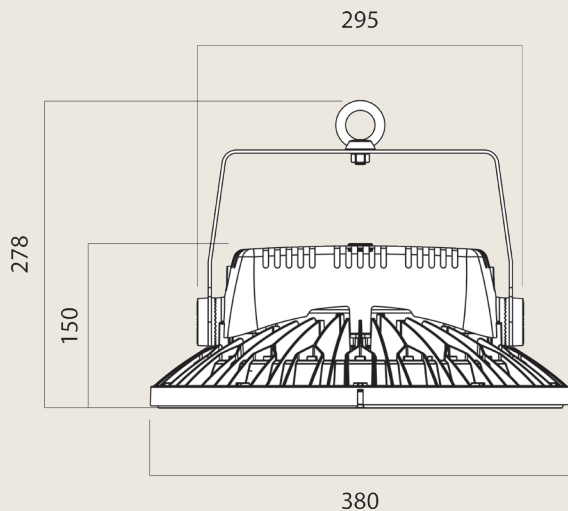


Please note: The lux values shown are average values of the specified area without taking into account the reflection from walls, ceilings and floors. The real values may be higher.

Application example 8 SPACEJET 200 70°:



Room height:	18,00 m
Mounting height:	18,00 m
Maintenance factor:	0,80
Usage level:	0,85 m
E_m :	416,00 Lux
g_1 :	0,65



– additional versions upon request / all rights reserved –